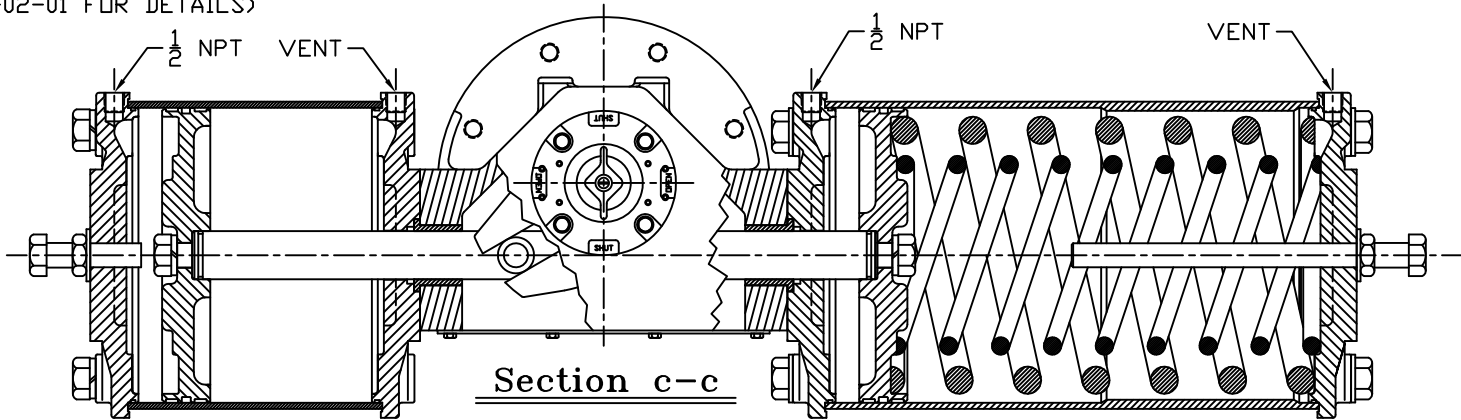
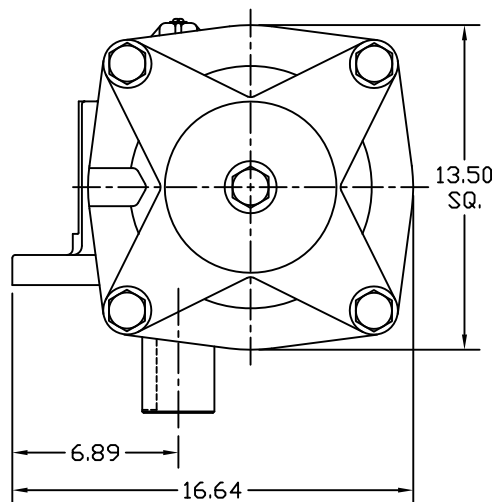


**Section a-a**  
YOKE SHOWN AT MID-STROKE  
POINTER OMITTED FOR CLARITY

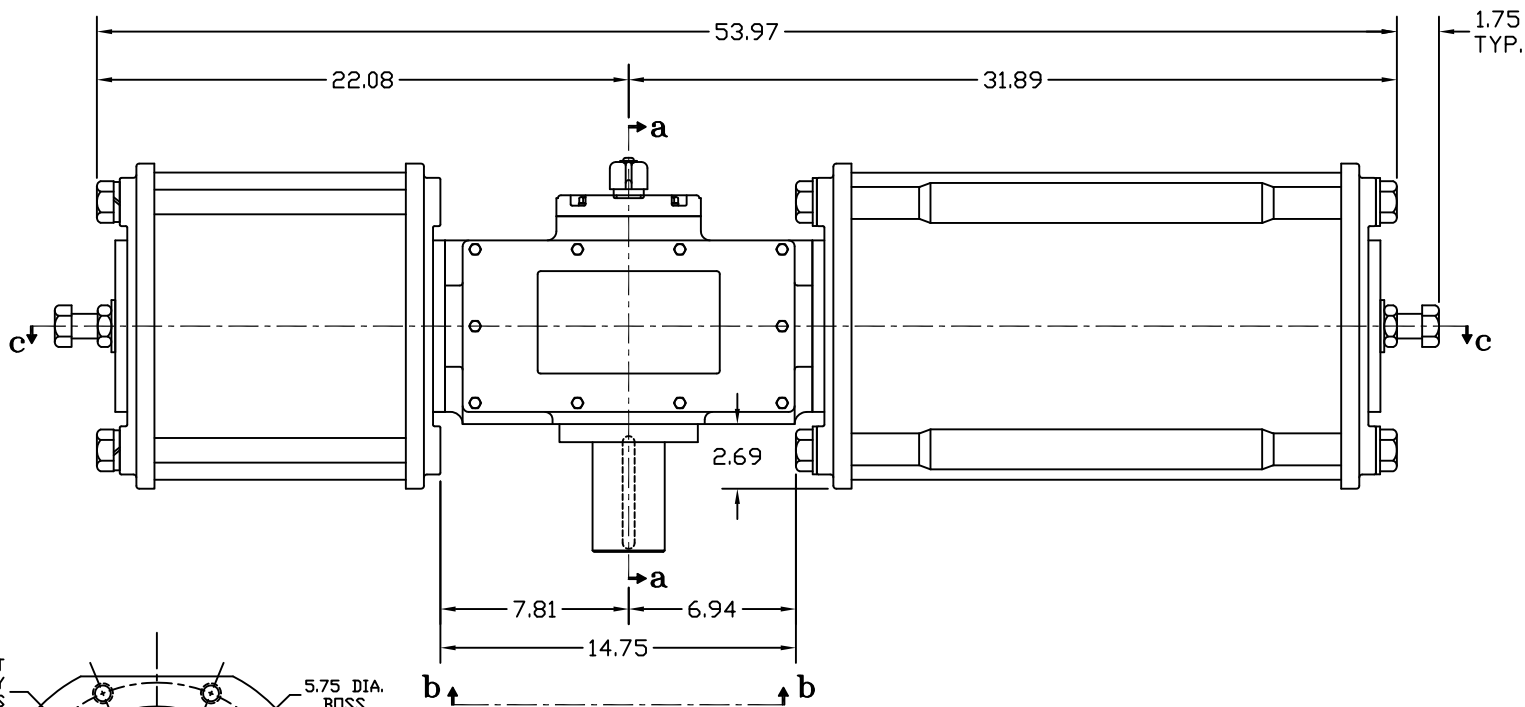


**Section c-c**



3.000/2.994 DIAMETER SHAFT  
3/4 SQ. x 3.88 LONG KEYWAY  
W/ .031 RADIUS INSIDE KEYWAY CORNERS  
(TO BE USED W/ 3/4" X 3 13/16" KEY)

3/4-10 UNC TAP x 1.18 DEEP  
(8) PLACES AS SHOWN ON  
11.73 DIAMETER BOLT CIRCLE



**View b-b**

ISO F30 MOUNTING PATTERN

REV	DESCRIPTION	BY	CHK	APR	DATE
E	UPDATED VIEW B-B	CAW			04/20/13
D	UPDATED SECTION A-A & VIEW B-B	CAW			02/15/07
C	UPDATED VIEW B-B	CAW			07/01/06
B	UPDATED SECTION A-A & VIEW B-B	BDC			1/27/05
	CHANGE				

<b>MORIN®</b>		Morph Actuator 110 Commerce Drive Pelham, Alabama, U.S.A. 35124 (205) 662-9533	
MODEL B-740UC-S000 ACTUATOR			
DRAWN BY:	DATE:	CHECKED:	DATE:
BDC	1/30/03		
SCALE:	REVISION:	DRAWING NO.:	
HALF	E	S30B037E	
SHEET	DWG. SIZE:		
1 of 1	E		