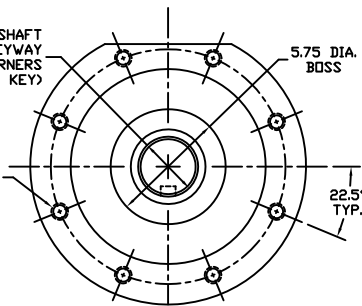


3.000/2.994 DIAMETER SHAFT
3/4 SQ. x 3.88 LONG KEYWAY
W/ .031 RADIUS INSIDE KEYWAY CORNERS
(TO BE USED W/ 3/4" X 3 13/16" KEY)

3/4-10 UNC TAP x 1.18 DEEP
(8) PLACES AS SHOWN ON
11.73 DIAMETER BOLT CIRCLE



MORIN www.morinact.com		Morin Actuator 110 Commerce Drive Pittman, Alabama, U.S.A. 35124 (205) 663-0533	
MODEL B-944U-S000 ACTUATOR			
DRAWN BY:	DATE:	CHECKED:	DATE:
BDC	9/12/02		
SCALE:	REVISION:	F	DRAWING NO.:
3X			S30B005F
SHEET	DWG. SIZE:	D	
1 of 1			

F	UPDATED VIEW B-B	CAW		04/29/13
E	UPDATED VIEW B-B & SECTION A-A	CAW		02/14/07
D	UPDATED VIEW B-B	CAW		07/11/06
C	UPDATED CYLINDER LENGTH TO CANTED	CAW		06/23/06
B	UPDATED VIEW B-B & SECTION A-A	BDC		1/24/05
REV	CHANGE	BY	CHK	APR
				DATE