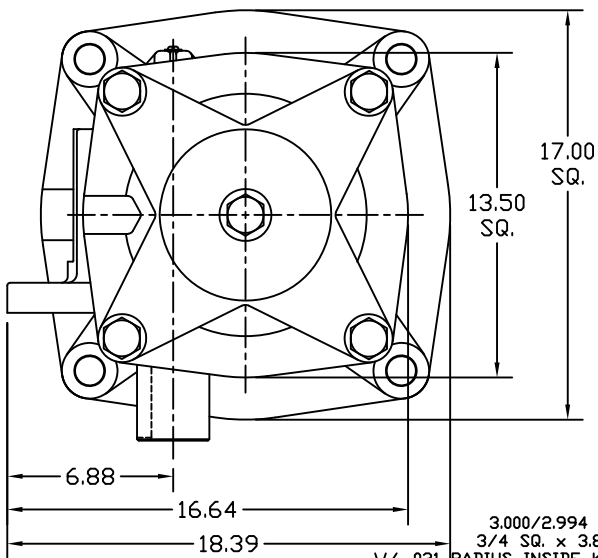


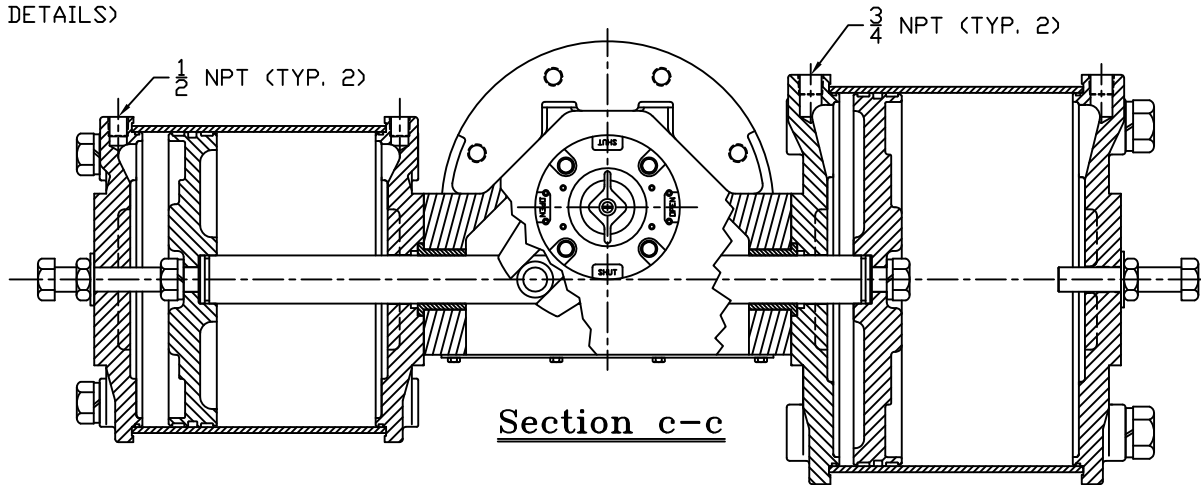
**Section a-a**

YOKE SHOWN AT MID-STROKE  
POINTER OMITTED FOR CLARITY

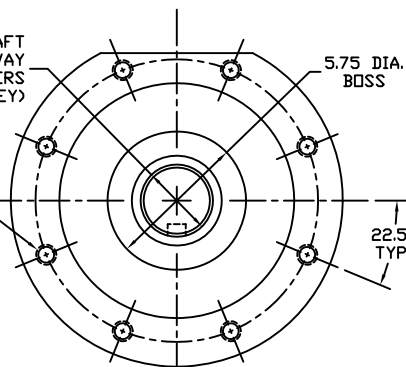
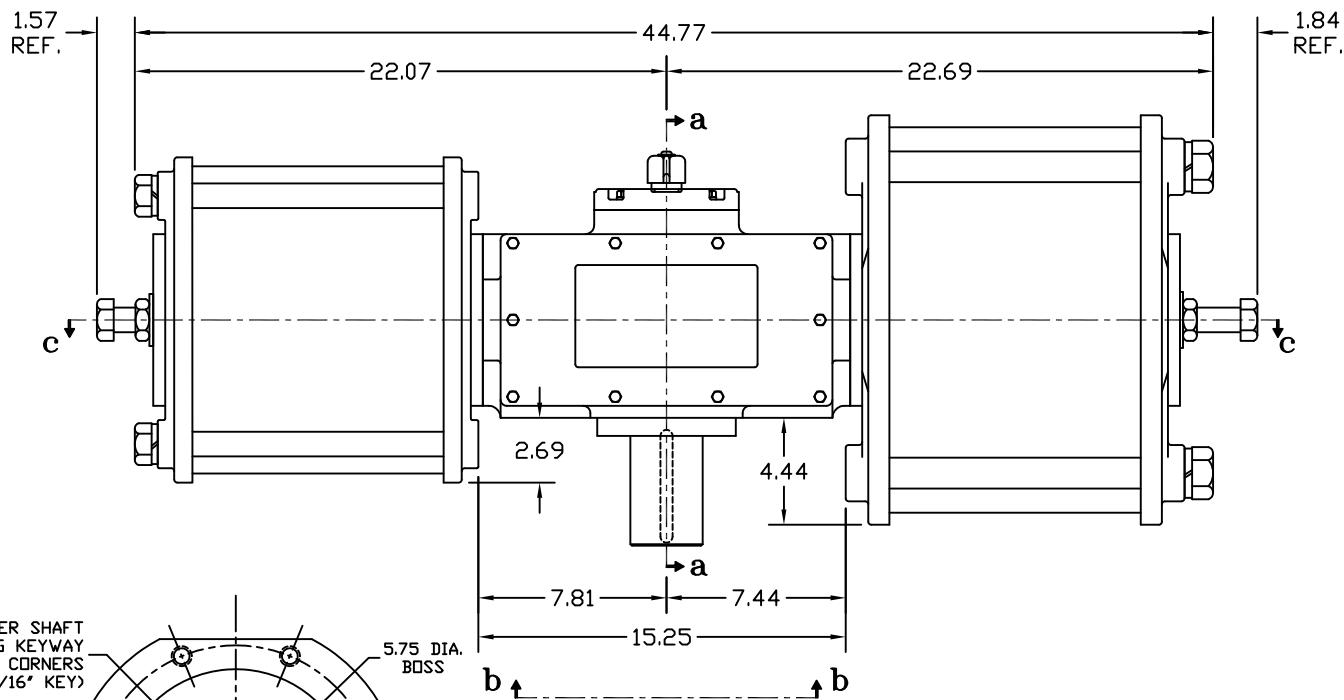


3.000/2.994 DIAMETER SHAFT  
3/4 SQ. x 3.88 LONG KEYWAY  
W/ .031 RADIUS INSIDE KEYWAY CORNERS  
(TO BE USED W/ 3/4' X 3 13/16' KEY)

3/4-10 UNC TAP x 1.18 DEEP  
(8) PLACES AS SHOWN ON  
11.73 DIAMETER BOLT CIRCLE



**Section c-c**



**View b-b**  
ISO F30 MOUNTING PATTERN

E	UPDATED VIEW B-B	CAW		10/22/13
D	UPDATED VIEW B-B & SECTION A-A	CAW		12/14/17
C	UPDATED VIEW B-B & CYLINDER LENGTH TO CANTED	CAW		07/11/16
B	UPDATED VIEW B-B & SECTION A-A	BDC		1/31/15
REV	CHANGE	BY	CHK	APR DATE

<b>MORIN®</b>		Morph Actuator 110 Commerce Drive Pelham, Alabama, U.S.A. 35124 www.morinact.com (205) 663-9533	
<b>MODEL B-945U-D000 ACTUATOR</b>			
DRAWN BY:	DATE:	CHECKED:	DATE:
BDC	9/18/02		
SCALE:	REVISION:	DRAWING NO.:	
HALF	E		
SHEET	DWG. SIZE:		
1 of 1	E	S30B505E	