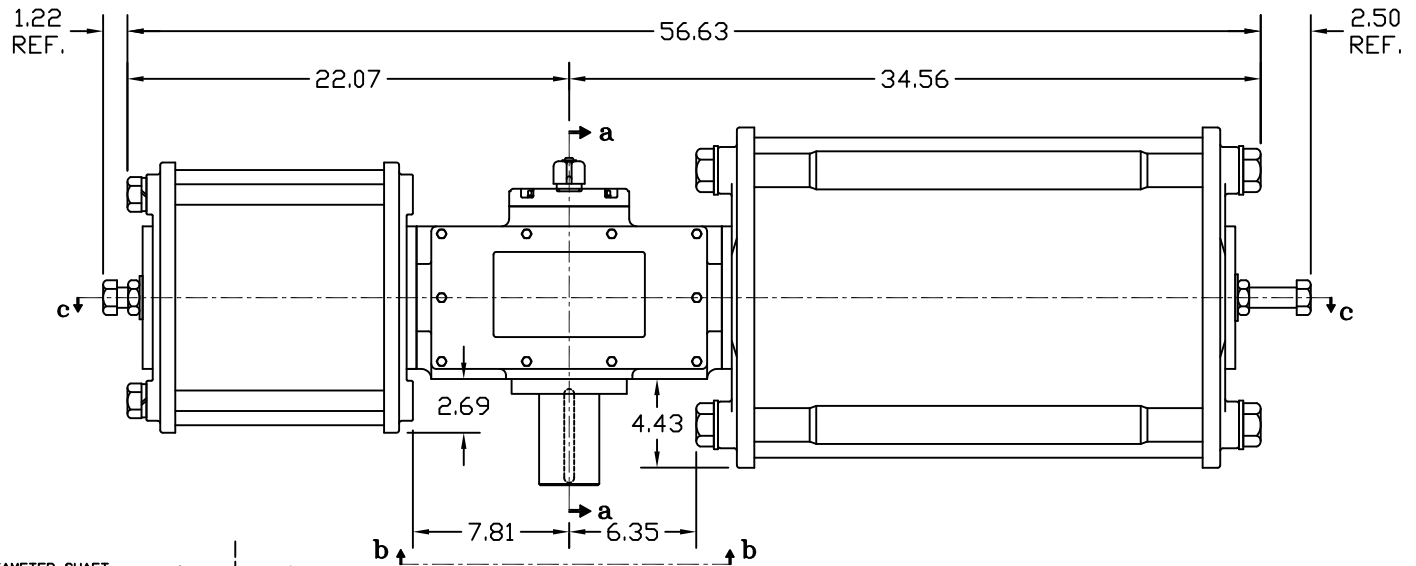
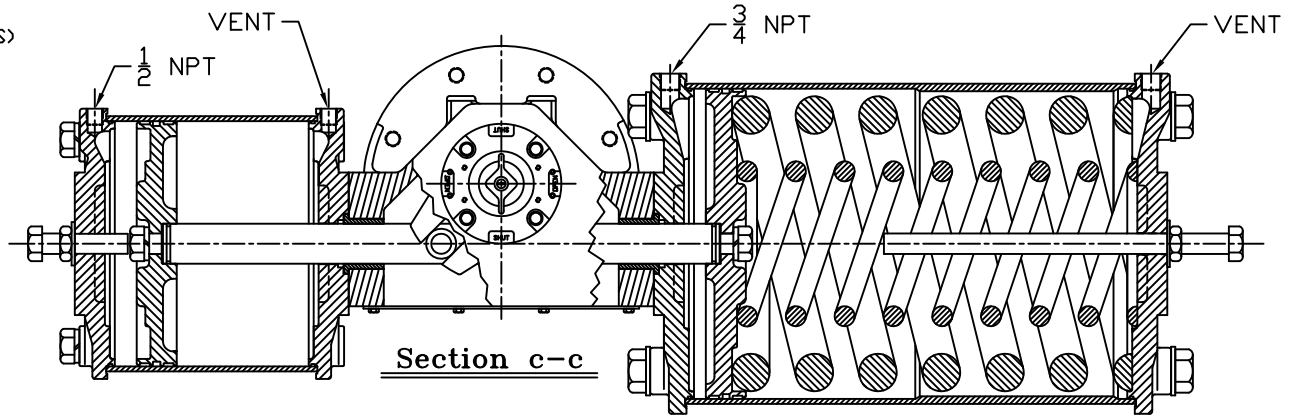
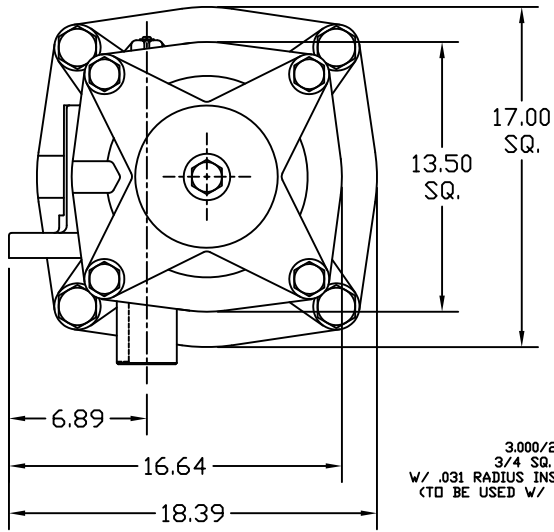
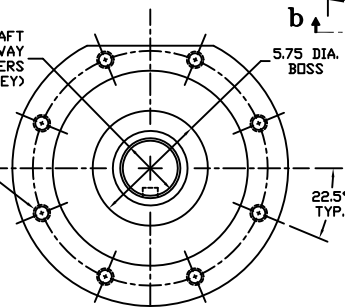


Section a-a
 YOKE SHOWN AT MID-STROKE
 POINTER OMITTED FOR CLARITY



3.000/2.994 DIAMETER SHAFT
 3/4 SQ. x 3.88 LONG KEYWAY
 W/ .031 RADIUS INSIDE KEYWAY CORNERS
 (TO BE USED W/ 3/4" X 3 13/16" KEY)

3/4-10 UNC TAP x 1.18 DEEP
 (8) PLACES AS SHOWN ON
 11.73 DIAMETER BOLT CIRCLE



View b-b

ISO F30 MOUNTING PATTERN

MORIN®		MorIn Actuator	
www.morinact.com		110 Commerce Drive Pittman, Alabama, U.S.A. 35124 (205) 663-0533	
MODEL B-945U-S000 ACTUATOR			
DRAWN BY:	DATE:	CHECKED:	DATE:
BDC	9/18/02		
SCALE:	REVISION:	DRAWING NO.:	
3X	F		
SHEET	DWG. SIZE:		
1 of 1	D	S30B006F	

REV	CHANGE	BY	CHK	APR	DATE
F	UPDATED VIEW B-B	CAW			04/29/13
E	UPDATED VIEW B-B & SECTION A-A	CAW			02/14/07
D	UPDATED VIEW B-B	CAW			07/11/06
C	UPDATED CYLINDER LENGTH TO CANTED	CAW			06/23/06
B	UPDATED VIEW B-B & SECTION A-A	BDC			1/24/05