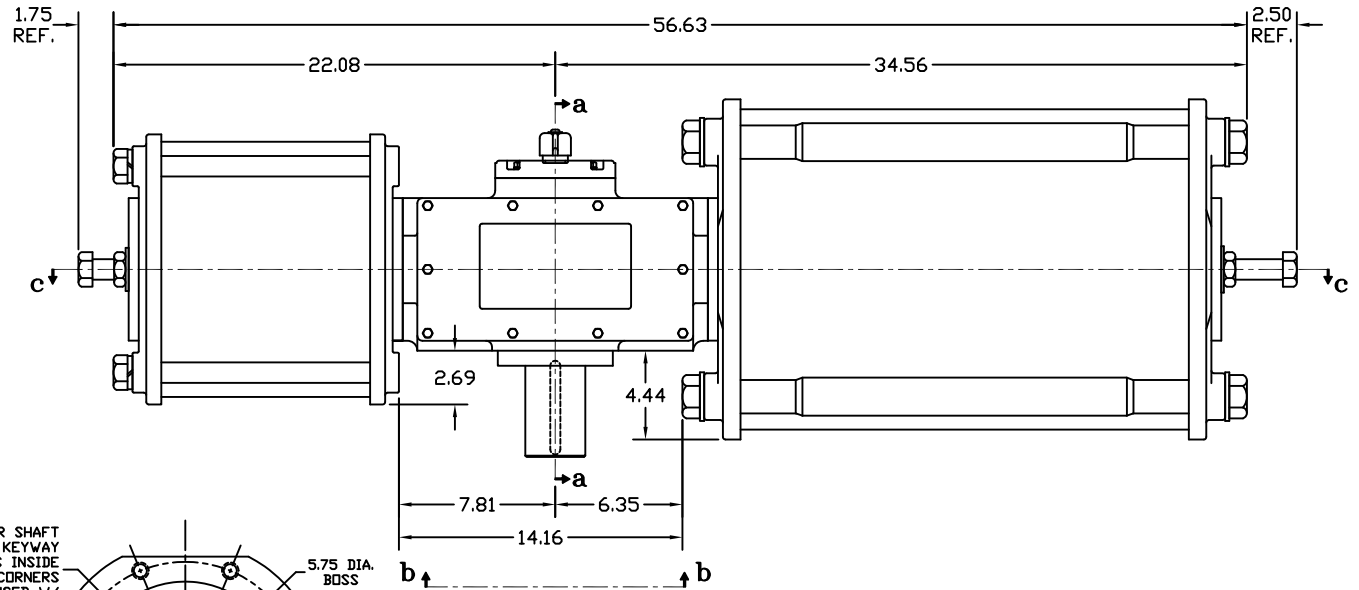
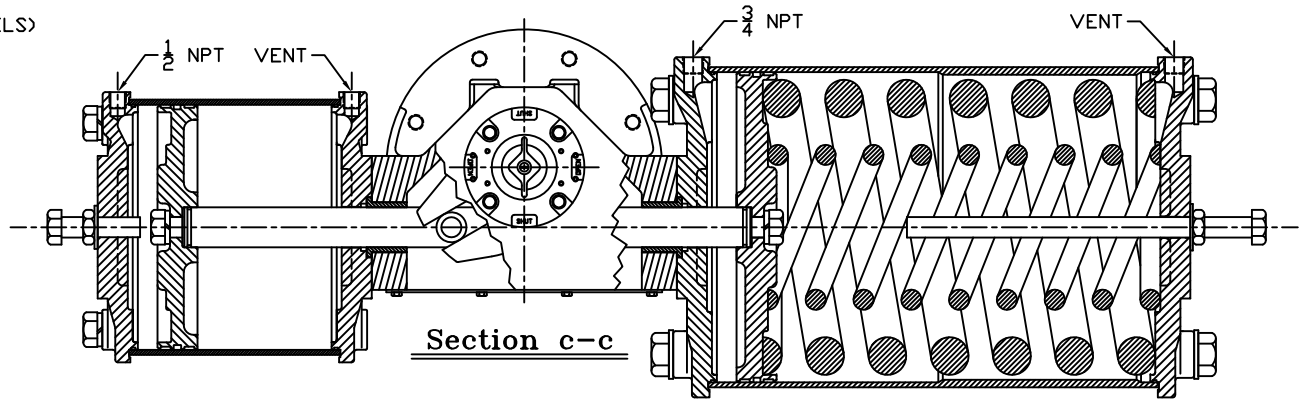
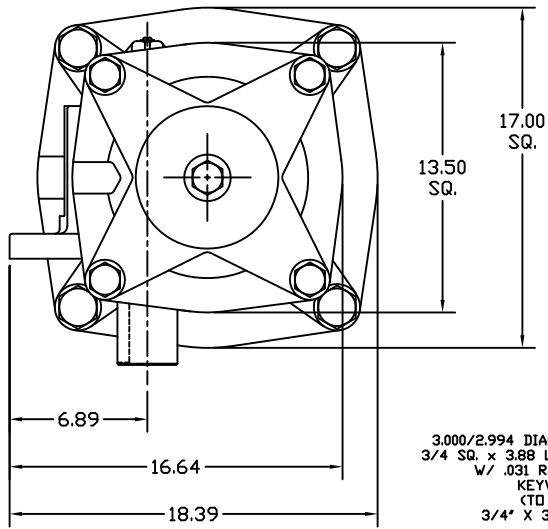


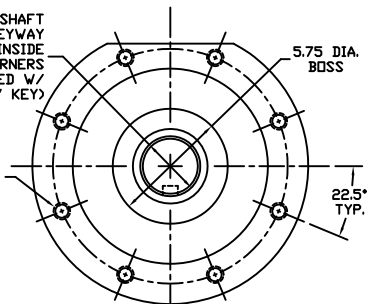
**Section a-a**

YOKE SHOWN AT MID-STROKE  
POINTER OMITTED FOR CLARITY



3.000/2.994 DIAMETER SHAFT  
3/4 SQ. x 3.88 LONG KEYWAY  
W/ .031 RADIUS INSIDE  
KEYWAY CORNERS  
(TO BE USED W/  
3/4" X 3 13/16" KEY)

3/4-10 UNC TAP x 1.18 DEEP  
(8) PLACES AS SHOWN ON  
11.73 DIAMETER BOLT CIRCLE



**View b-b**

ISO F30 MOUNTING PATTERN

<b>MORIN®</b>		MorIn Actuator	
www.morinact.com		110 Commerce Drive Pellham, Alabama, U.S.A. 35124 (205) 663-0533	
<b>MODEL B-945UC-S000 ACTUATOR</b>			
DRAWN BY:	DATE:	CHECKED:	DATE:
BDC	2/13/03		
SCALE:	REVISION:	DRAWING NO.:	
3X	E	S30B039E	
SHEET	DWG. SIZE:		
1 of 1	D		

REV	CHANGE	BY	CHK	APR	DATE
E	UPDATED VIEW B-B	CAW			04/30/13
D	UPDATED VIEW B-B & SECTION A-A	CAW			02/15/07
C	UPDATED VIEW B-B	CAW			07/11/06
B	UPDATED VIEW B-B & SECTION A-A	BDC			1/28/05