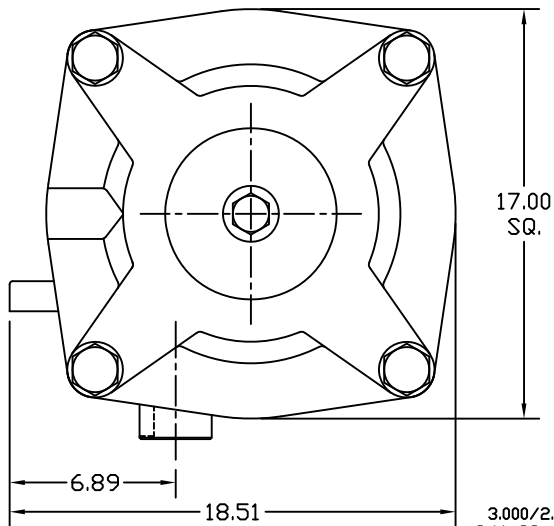
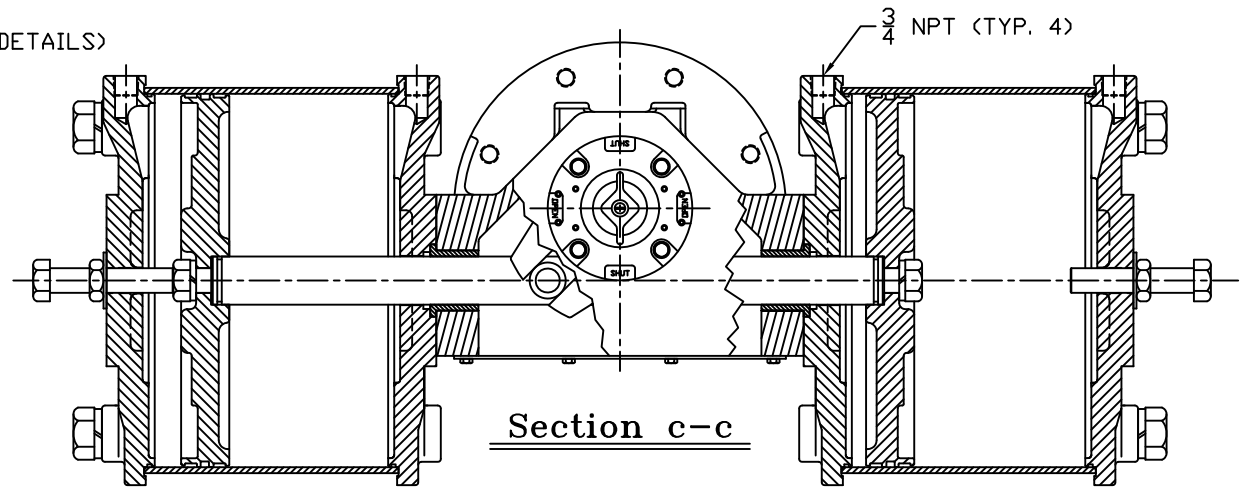
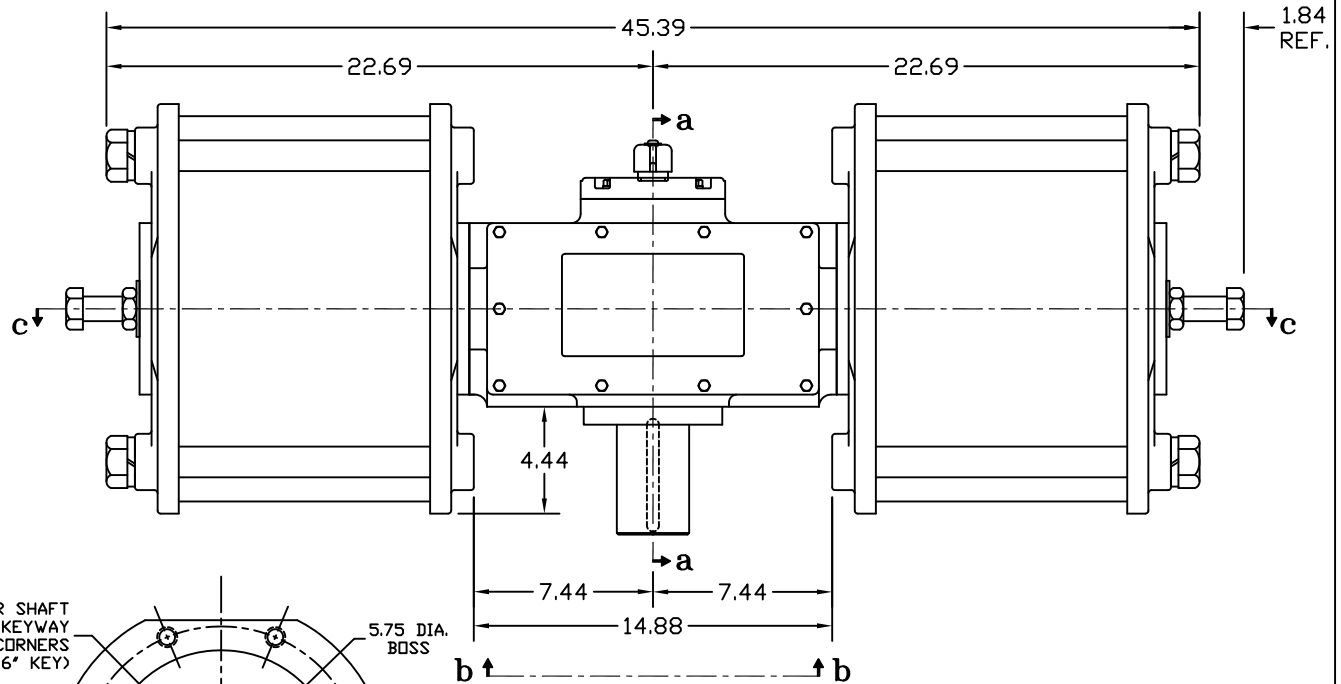


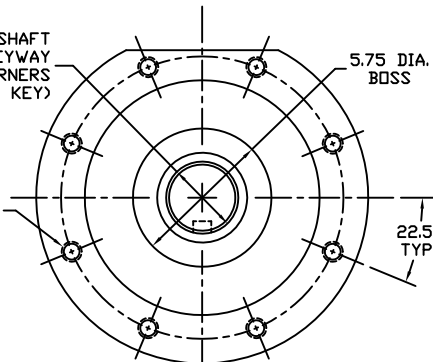
**Section a-a**  
YOKE SHOWN AT MID-STROKE  
POINTER OMITTED FOR CLARITY



3.000/2.994 DIAMETER SHAFT  
3/4 SQ. x 3.88 LONG KEYWAY  
W/ .031 RADIUS INSIDE KEYWAY CORNERS  
(TO BE USED W/ 3/4" x 3 13/16" KEY)



3/4-10 UNC TAP x 1.18 DEEP  
(8) PLACES AS SHOWN ON  
11.73 DIAMETER BOLT CIRCLE



**View b-b**

ISO F30 MOUNTING PATTERN

<b>MORIN®</b>		Model Actuator 110 Commerce Drive Pelham, Alabama, U.S.A. 35124 (205) 663-9333	
<b>MODEL C-1150U-D000 ACTUATOR</b>			
DRAWN BY: CAW	DATE: 08/14/06	CHECKED: DATE:	APPROVED: DATE:
SCALE: HALF	REVISION: C	DRAWING NO.:	
SHEET 1 of 1	DWG. SIZE: E	S30B553C	

REV	CHANGE	BY	CHK	APR	DATE
C	UPDATED VIEW B-B	CAW			05/02/13
B	UPDATED SECTION A-A & VIEW B-B	CAW			02/27/09