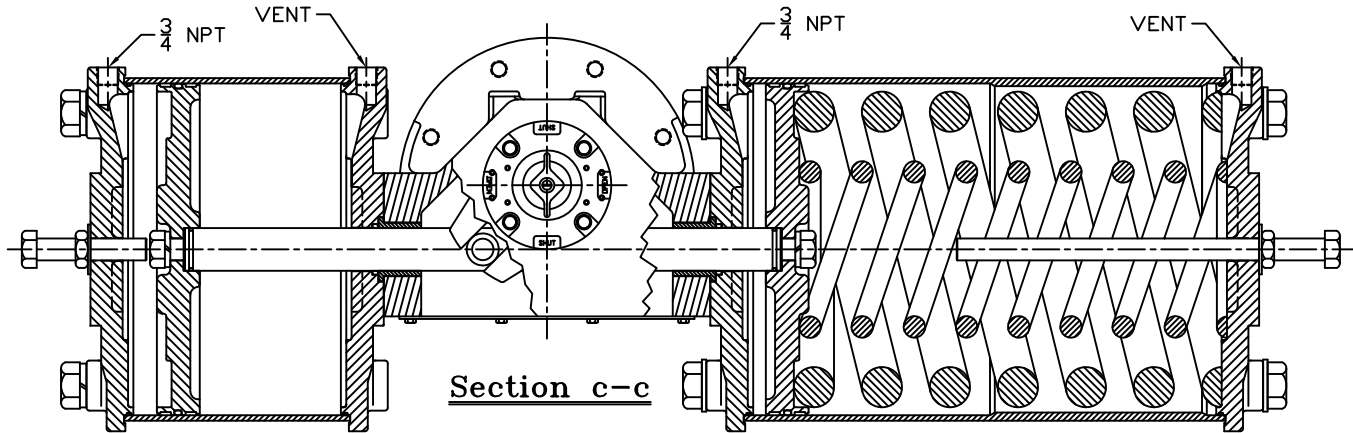
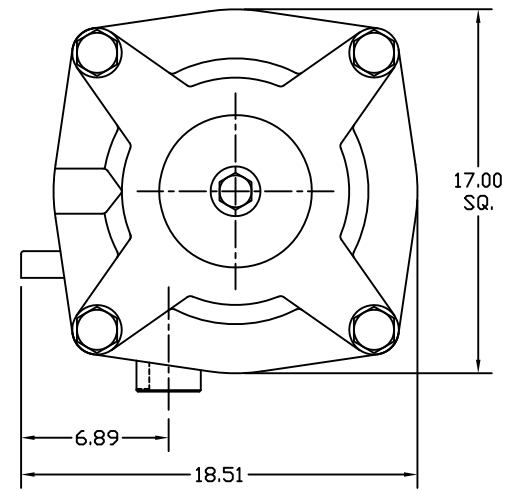
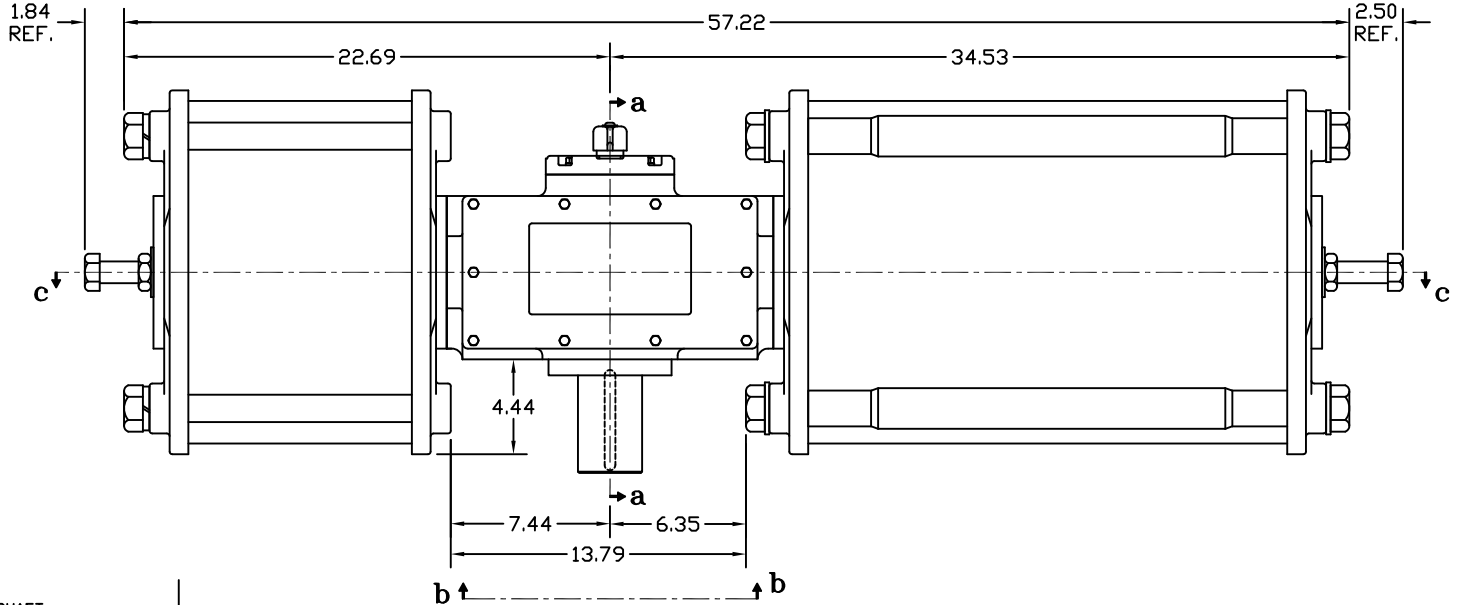


**Section a-a**

YOKE SHOWN AT MID-STROKE  
POINTER OMITTED FOR CLARITY

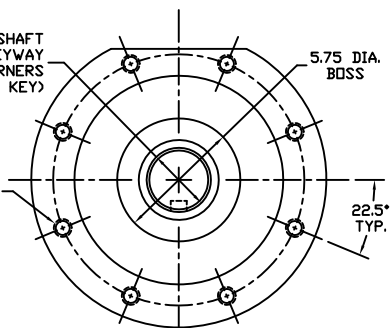


**Section c-c**



3.000/2.994 DIAMETER SHAFT  
3/4 SQ. x 3.88 LONG KEYWAY  
W/ .031 RADIUS INSIDE KEYWAY CORNERS  
(TO BE USED W/ 3/4" x 3 13/16" KEY)

3/4-10 UNC TAP x 1.18 DEEP  
(8) PLACES AS SHOWN ON  
11.73 DIAMETER BOLT CIRCLE



**View b-b**

ISO F30 MOUNTING PATTERN

<b>MORIN</b> www.morinact.com		Morin Actuator 110 Commerce Drive Pelham, Alabama, U.S.A. 35124 (205) 662-9533	
<b>MODEL C-1150U-S000 ACTUATOR</b>			
DRAWN BY:	DATE:	CHECKED:	DATE:
CAW	08/14/06		
SCALE:	REVISION:	DRAWING NO.:	
1 : 2.25	C		
SHEET	DWG. SIZE:	DRAWING NO.:	
1 of 1	E	S30B098C	

REV	DESCRIPTION	BY	CHK	APR	DATE
C	UPDATED VIEW B-B	CAW			05/08/13
B	UPDATED SECTION A-A & VIEW B-B	CAW			02/27/10
	CHANGE				