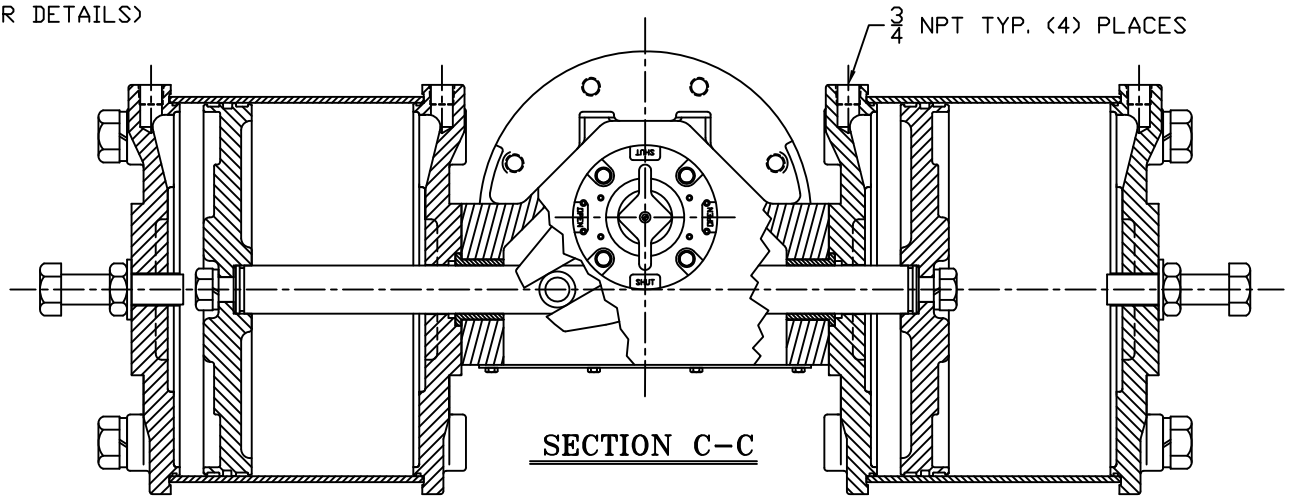
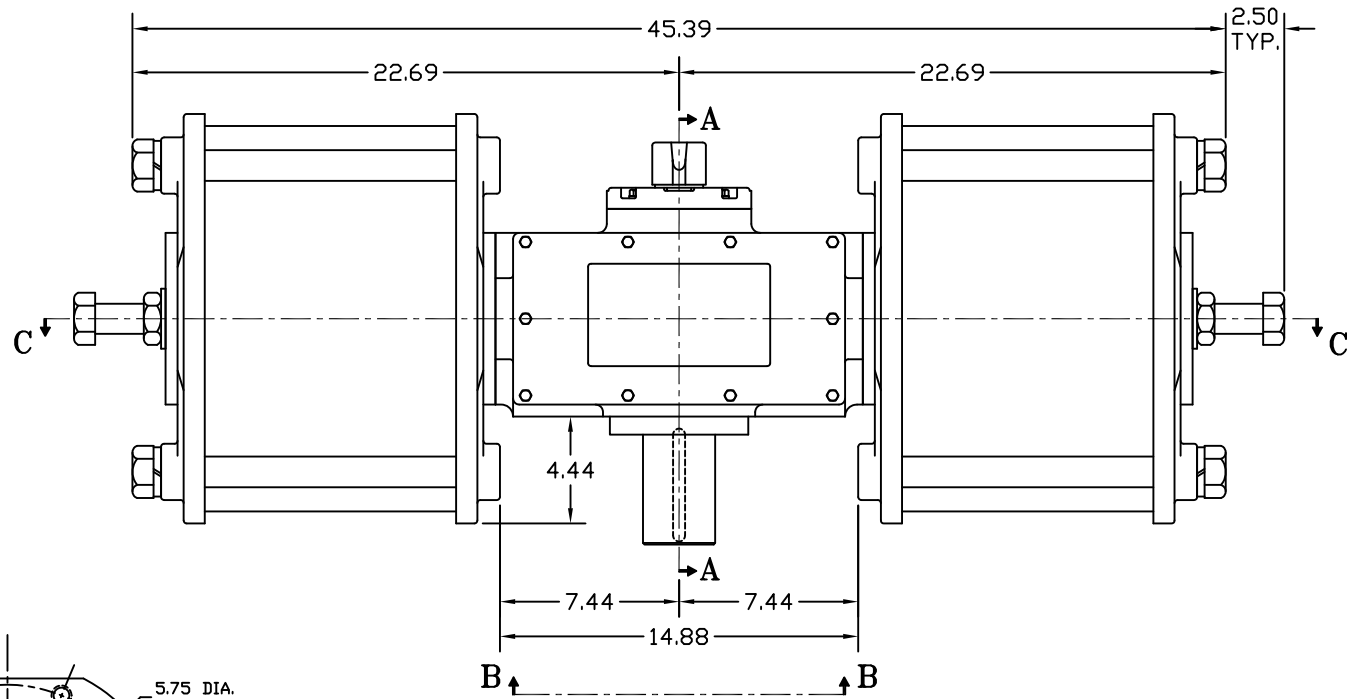
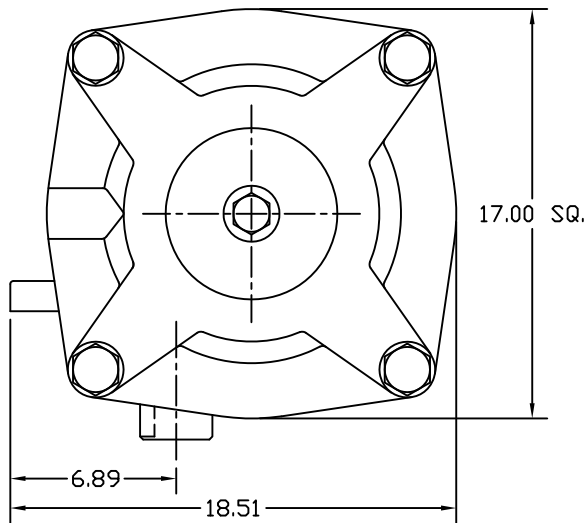


SECTION A-A

YOKE SHOWN AT MID-STROKE
POINTER OMITTED FOR CLARITY

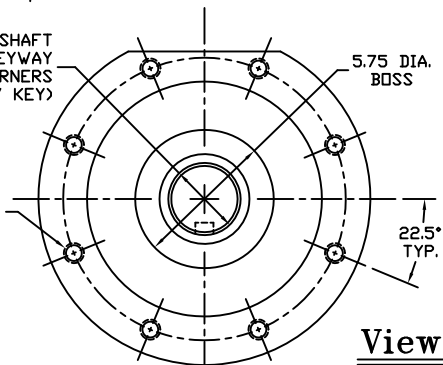


SECTION C-C



3.000/2.994 DIAMETER SHAFT
3/4 SQ. x 3.88 LONG KEYWAY
W/ .031 RADIUS INSIDE KEYWAY CORNERS
(TO BE USED W/ 3/4" X 3 13/16" KEY)

3/4-10 UNC TAP x 1.18 DEEP
(8) PLACES AS SHOWN ON
11.73 DIAMETER BOLT CIRCLE



View b-b

ISO F30 MOUNTING PATTERN

REV	DESCRIPTION	BY	CHK	APR	DATE
C	UPDATED VIEW B-B	CAW			05/02/13
B	UPDATED SECTION A-A & VIEW B-B	CAW			02/27/10
	CHANGE				

MORIN Birmingham, AL					
TITLE: MODEL C-1150UC-D000 ACTUATOR					
DRAWN BY:	DATE:	CHECKER:	DATE:	APPROVAL:	DATE:
CAW	08/14/06				
SCALE:	REVISION:	DRAWING NO.:			
HALF	C	S30B559C			
SHEET	DWG. SIZE:				
1 of 1	E				