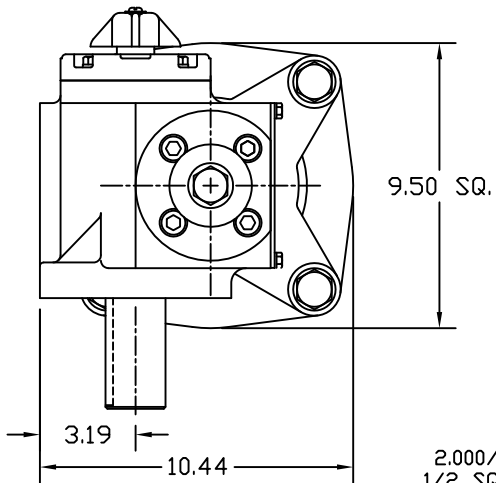
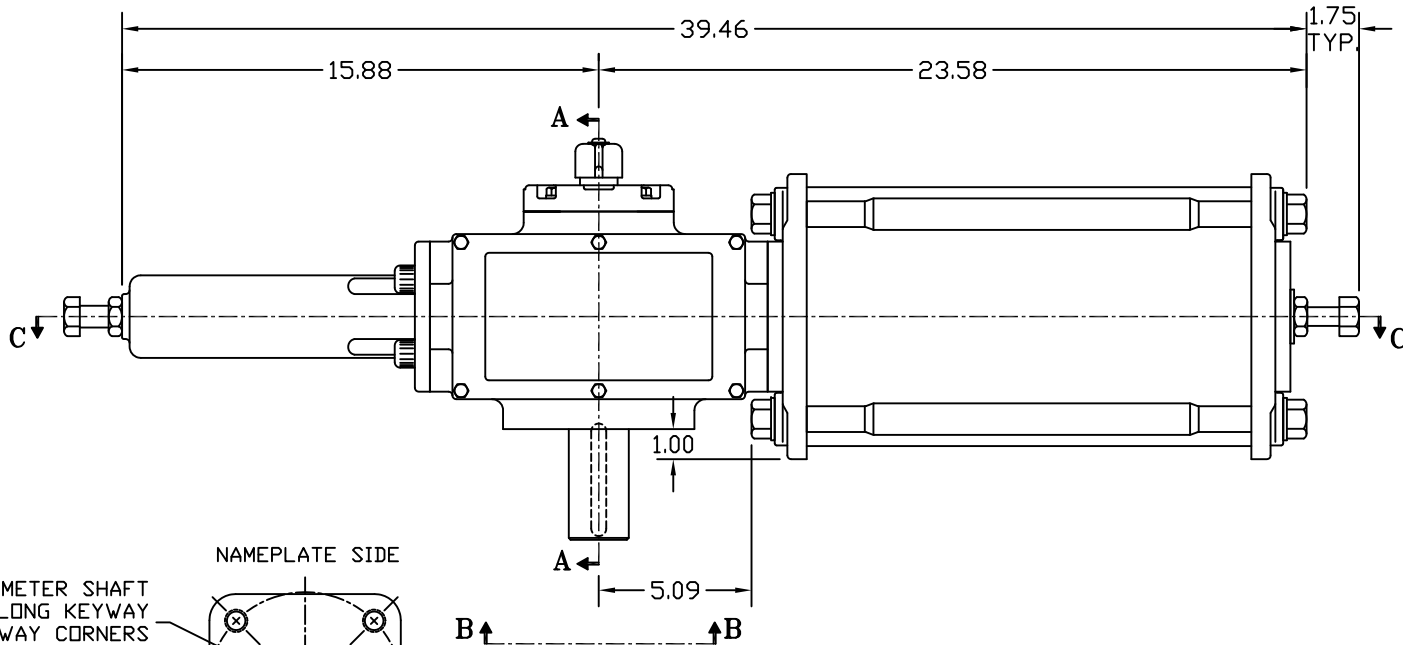
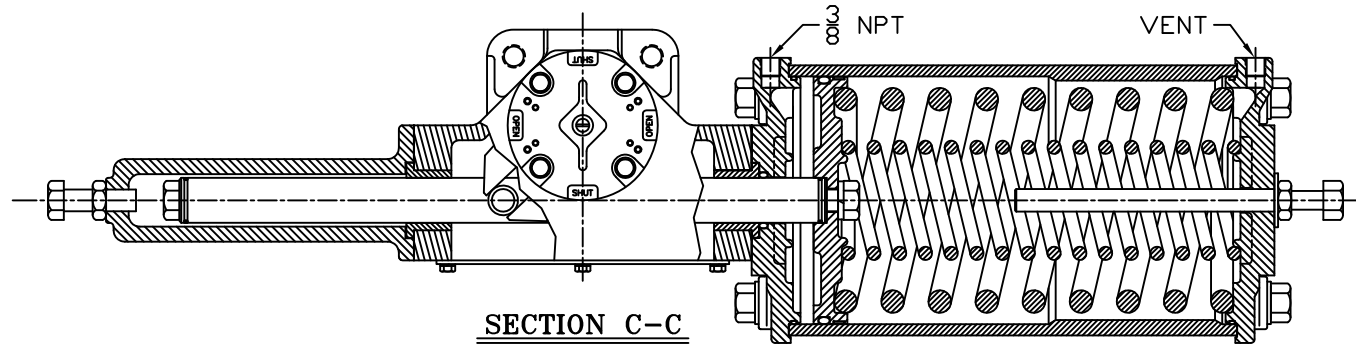


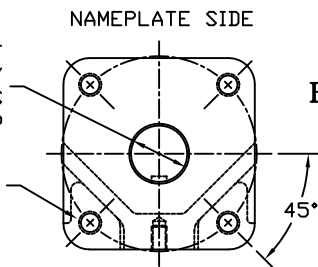
SECTION A-A

YOKE SHOWN AT MID-STROKE
POINTER OMITTED FOR CLARITY



2.000/1.994 DIAMETER SHAFT
1/2 SQ. x 3.19 LONG KEYWAY
W/ .031 RADIUS INSIDE KEYWAY CORNERS
(TO BE USED W/ 1/2" x 3 3/16" KEY)

3/4-10 UNC TAP x 1.18 DEEP
(4) PLACES AS SHOWN ON
6.50 DIAMETER BOLT CIRCLE



ISO (F16) MOUNTING PATTERN

MORIN® Birmingham, AL					
TITLE: MODEL C-135U-S000 ACTUATOR					
DRAWN BY:	DATE:	CHECKER:	DATE:	APPROVAL:	DATE:
CAW	08/11/06				
SCALE:	HALF	REVISION:	B	DRAWING NO.:	
				S25B159B	
SHEET	1 of 1	DWG. SIZE:	D		

REV	DESCRIPTION	BY	CHK	APR	DATE
B	UPDATED SECTION A-A & VIEW B-B	CAW			02/20/07
	CHANGE	BY	CHK	APR	DATE