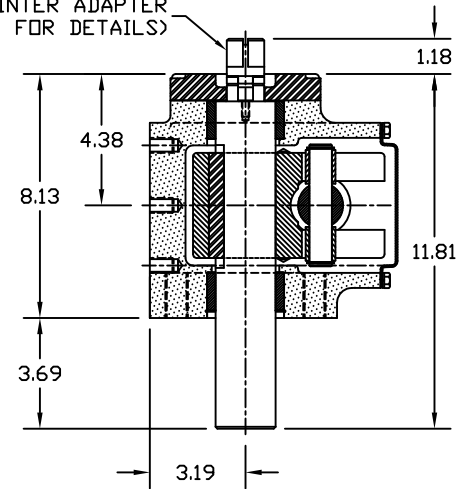


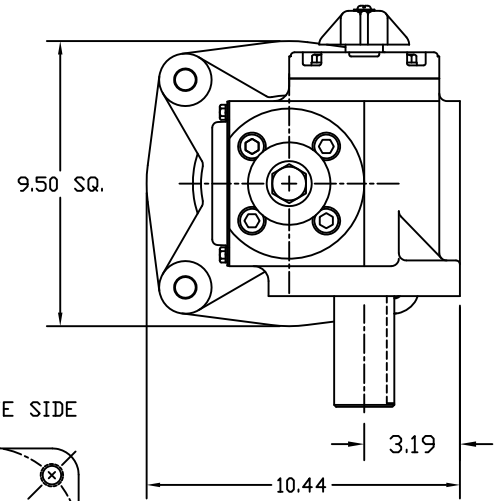
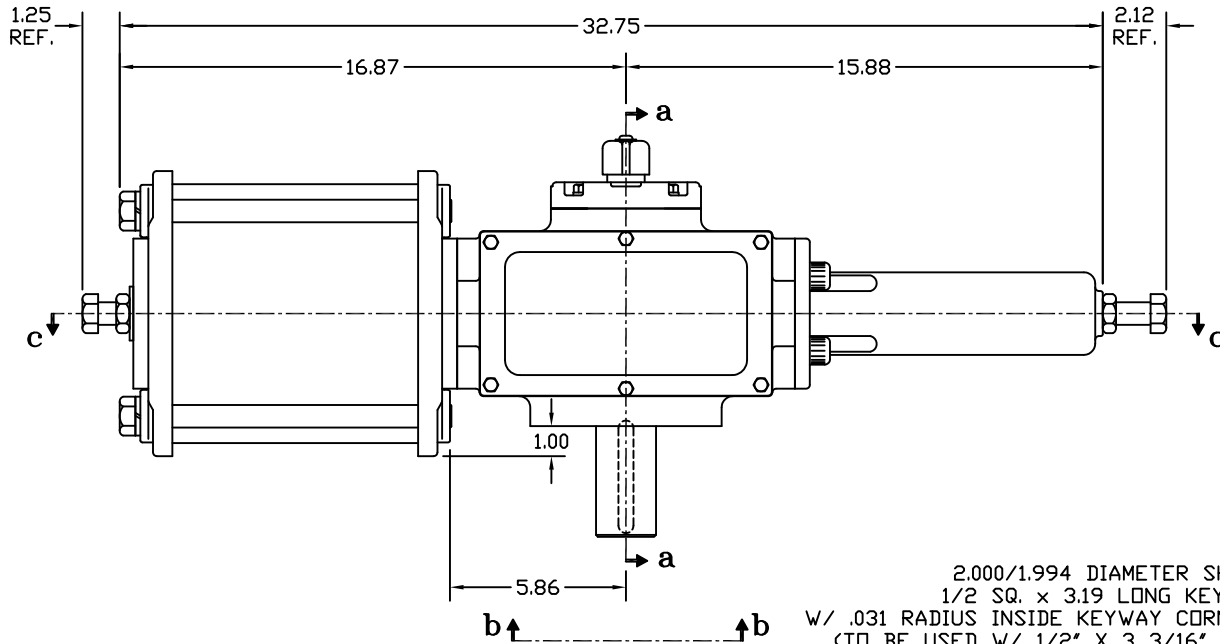
Section c-c

NAMUR POINTER ADAPTER
(SEE DWG. S01-02-01 FOR DETAILS)



Section a-a

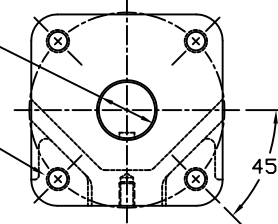
YOKE SHOWN AT MID-STROKE
POINTER OMITTED FOR CLARITY



2.000/1.994 DIAMETER SHAFT
1/2 SQ. x 3.19 LONG KEYWAY
W/ .031 RADIUS INSIDE KEYWAY CORNERS
(TO BE USED W/ 1/2" X 3 3/16" KEY)

3/4-10 UNC TAP x 1.18 DEEP
(4) PLACES AS SHOWN ON
6.50 DIAMETER BOLT CIRCLE

NAMEPLATE SIDE



View b-b

ISO (F16) MOUNTING PATTERN

REV	DESCRIPTION	BY	CHK	APR	DATE
B	UPDATED SECTION A-A & VIEW B-B	CAW			02/20/07
	CHANGE	BY	CHK	APR	DATE

MORIN® Birmingham, AL					
TITLE: MODEL C-135UC-D000 ACTUATOR					
DRAWN BY:	DATE:	CHECKER:	DATE:	APPROVAL:	DATE:
CAW	08/14/06				
SCALE:	HALF	REVISION:	B	DRAWING NO.:	
				S25B580B	
SHEET		DWG. SIZE:			
1 of 1		D			