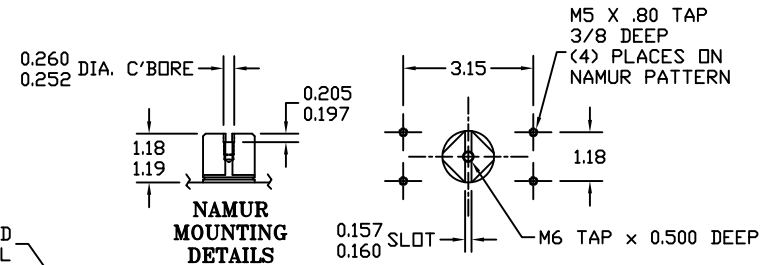
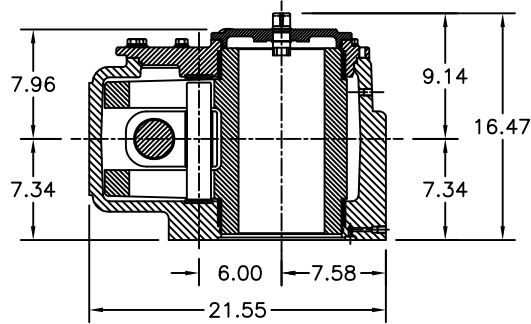


**ACCESSORY PAD DETAIL**  
REAR VIEW



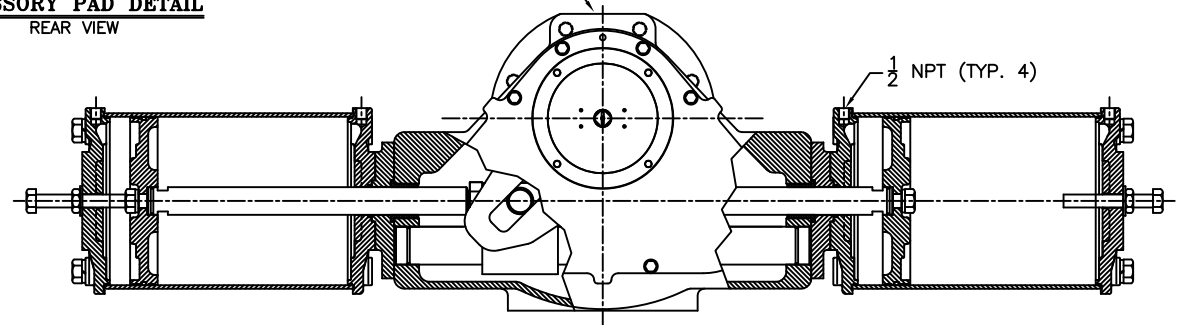
**NAMUR MOUNTING DETAILS**

SEE ACCESSORY PAD DETAIL

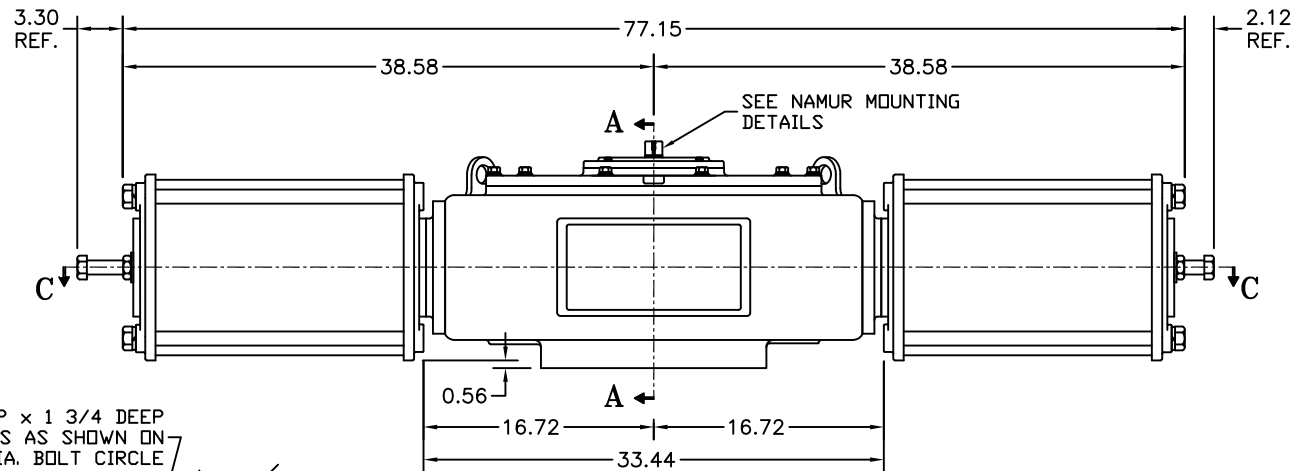
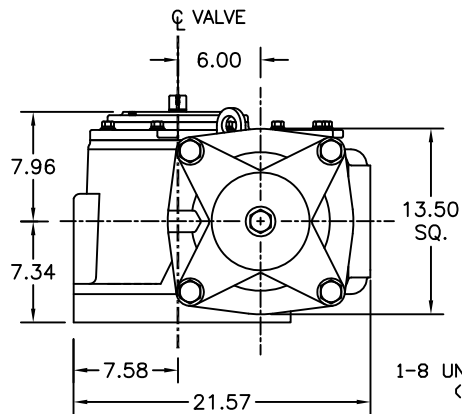


**SECTION A-A**

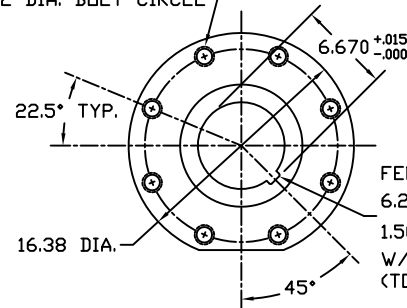
YOKE SHOWN AT MID-STROKE  
ACCESSORIES OMITTED FOR CLARITY



**SECTION C-C**



1-8 UNC-2B TAP x 1 3/4 DEEP  
(8) PLACES AS SHOWN ON  
14.02 DIA. BOLT CIRCLE



**FEMALE DRIVE**  
6.250 <sup>+0.005</sup>/<sub>-0.000</sub> DIA. BORE x 12.50 DEEP  
1.501 <sup>+0.004</sup>/<sub>-0.000</sub> RECTANGULAR KEYWAY  
W/ 0.12 RADIUS INSIDE KEYWAY CORNERS  
(TO BE USED W/ 1 1/2" x 1" KEY)

**VIEW B-B**

ISO F35 MOUNTING PATTERN  
SHOWN IN CLOSED POSITION

<b>MORIN</b> Birmingham, AL			
TITLE: MODEL C-1485U-D000 ACTUATOR			
DRAWN BY: CAW	DATE: 06/13/08	CHECKER:	DATE:
SCALE: 1 : 3.5	REVISION: D	DRAWING NO.:	
SHEET 1 of 1	DWG. SIZE: E	S60B540D	

D	UPDATED ADJUSTMENT SCREW LENGTHS	CAW		04/20/11
C	CORRECTED ACCESS. PAD DETAIL: 1/4" VENT HWS 3/4" VENT	CAW		08/23/10
B	UPDATED VIEW B-B	CAW		08/26/08
REV	CHANGE	BY	CHK	APR DATE