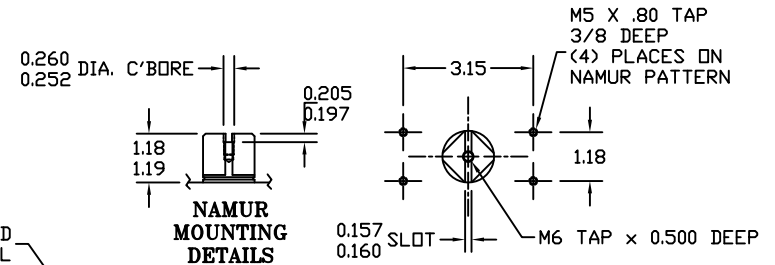
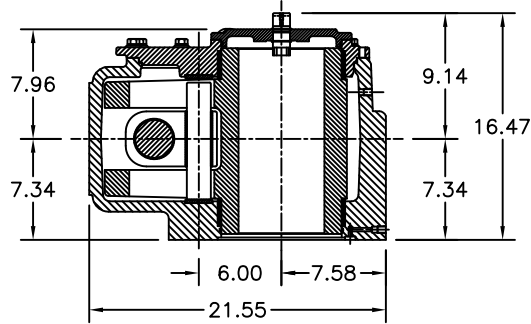


ACCESSORY PAD DETAIL
REAR VIEW



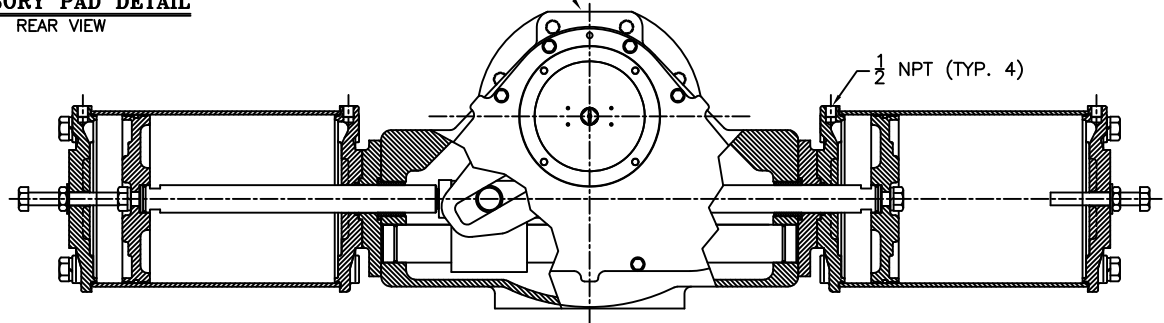
SEE ACCESSORY PAD DETAIL

NAMUR MOUNTING DETAILS

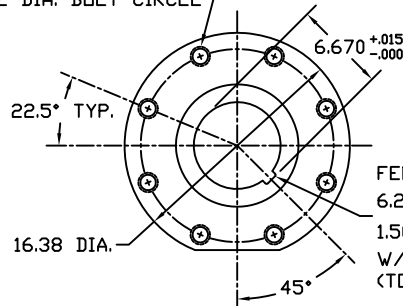
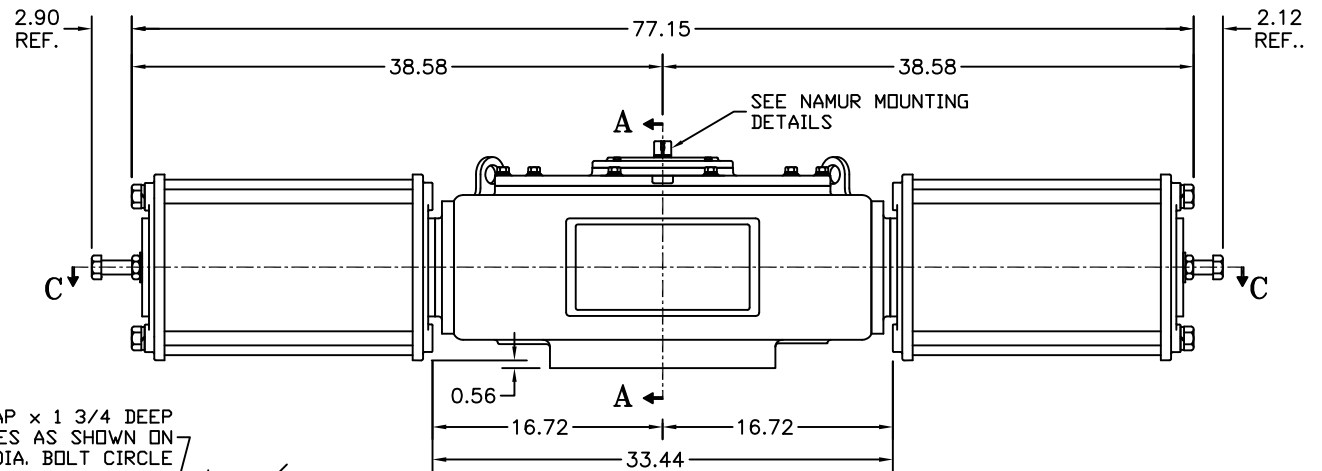
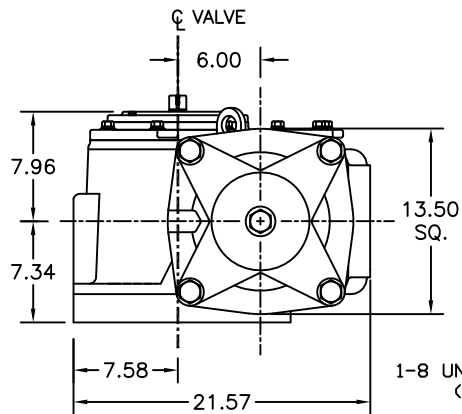


SECTION A-A

YOKE SHOWN AT MID-STROKE
ACCESSORIES OMITTED FOR CLARITY



SECTION C-C



VIEW B-B

ISO F35 MOUNTING PATTERN
SHOWN IN CLOSED POSITION

FEMALE DRIVE
6.250^{+0.005}/_{-0.000} DIA. BORE x 12.50 DEEP
1.501^{+0.004}/_{-0.000} RECTANGULAR KEYWAY
W/ 0.12 RADIUS INSIDE KEYWAY CORNERS
(TO BE USED W/ 1 1/2" x 1" KEY)

MORIN Birmingham, AL			
TITLE: MODEL C-1485UC-D000 ACTUATOR			
DRAWN BY:	DATE:	CHECKER:	DATE:
CAW	06/19/08		
SCALE:	REVISION:	DRAWING NO.:	
1 : 3.5	D		
SHEET	DWG. SIZE:		
1 of 1	E	S60B545D	

D	UPDATED ADJUSTMENT SCREW LENGTH	CAW			04/20/11
C	CORRECTED ACCESS. PAD DETAIL: 1/4" VENT MIS 3/4" VENT	CAW			08/23/10
B	UPDATED VIEW B-B	CAW			08/26/08
REV	CHANGE	BY	CHK	APR	DATE