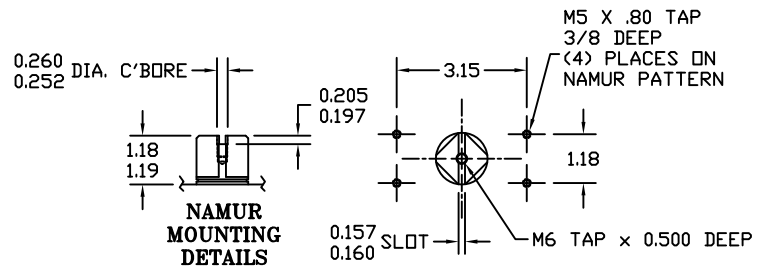
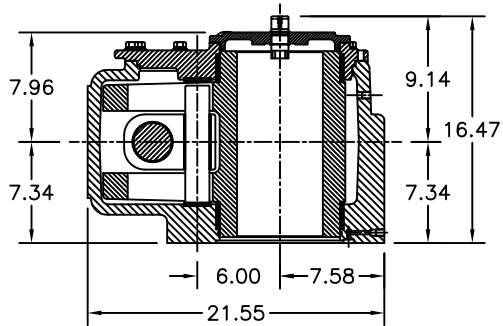


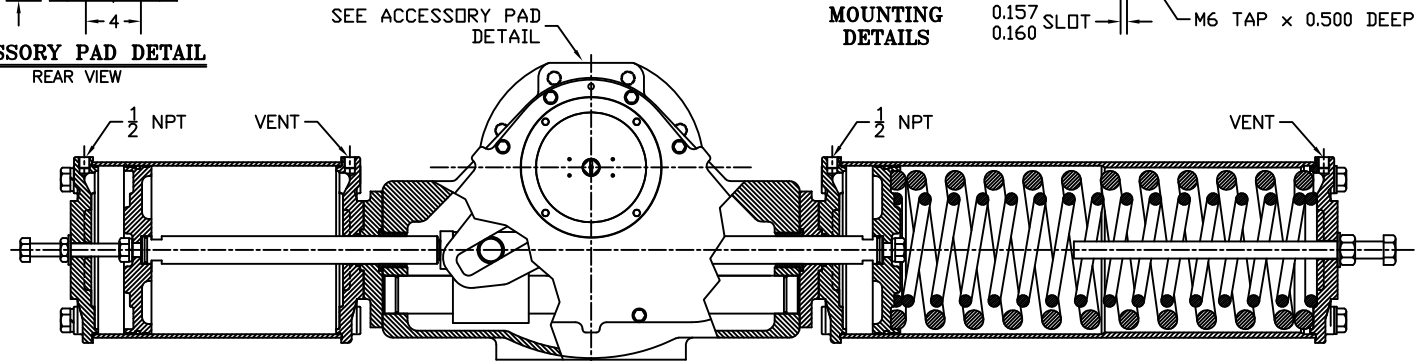
ACCESSORY PAD DETAIL
REAR VIEW



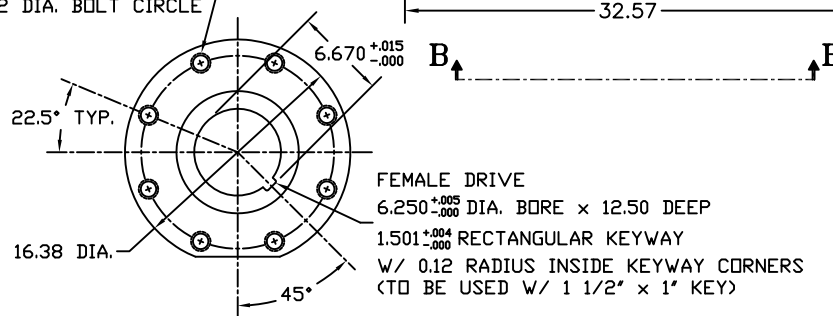
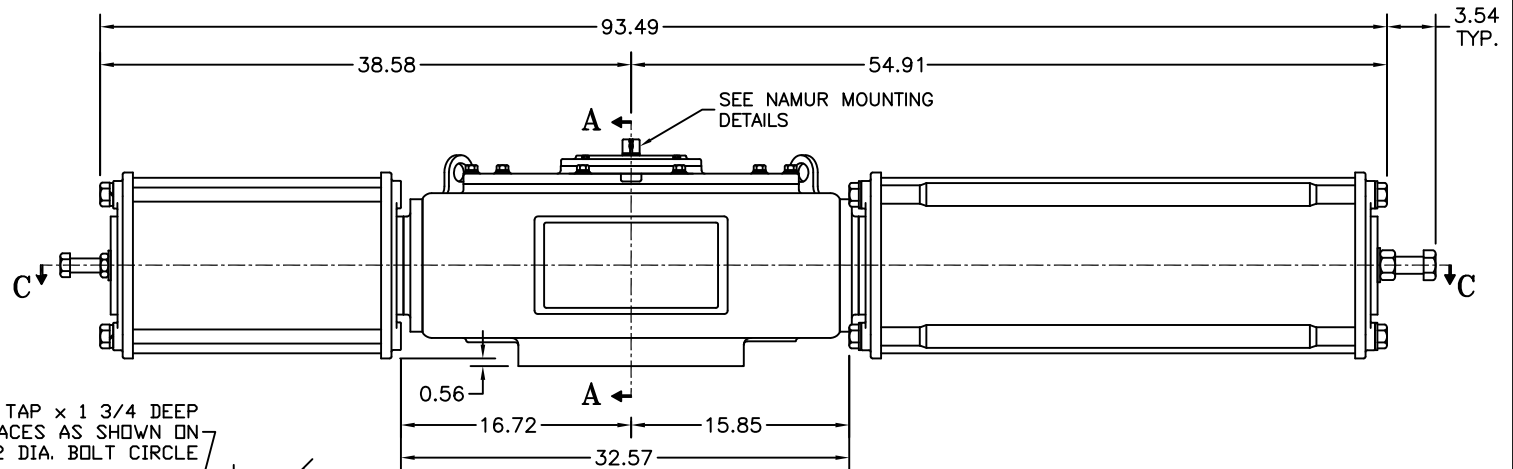
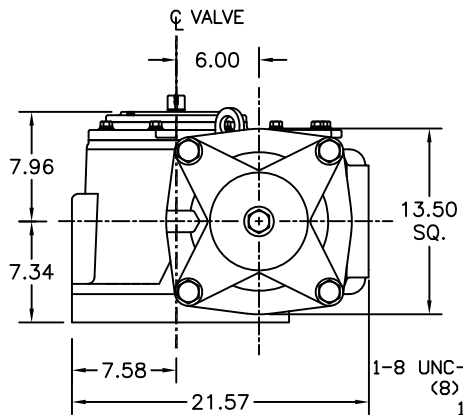
NAMUR MOUNTING DETAILS



SECTION A-A
YOKE SHOWN AT MID-STROKE
ACCESSORIES OMITTED FOR CLARITY



SECTION C-C



VIEW B-B

ISO F35 MOUNTING PATTERN
SHOWN IN CLOSED POSITION

MORIN Birmingham, AL			
TITLE: MODEL C-1485UC-S000 ACTUATOR			
DRAWN BY:	DATE:	CHECKER:	DATE:
CAW	06/23/08		
SCALE:	REVISION:	DRAWING NO.:	
1 : 3.5	D		
SHEET	DWG. SIZE:		
1 of 1	E	S60B074D	

D	UPDATED ADJUSTMENT SCREW SIZE AND LENGTH	CAW		03/07/11
C	CORRECTED ACCES. PAD DETAIL: 1/4" VENT MIS 3/4" VENT	CAW		08/23/10
B	UPDATED VIEW B-B	CAW		08/26/10
REV	CHANGE	BY	CHK	APR DATE