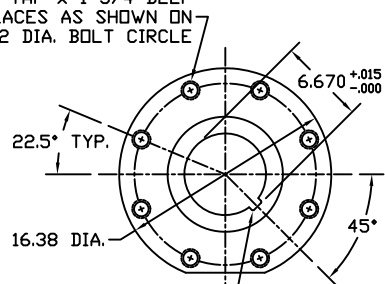
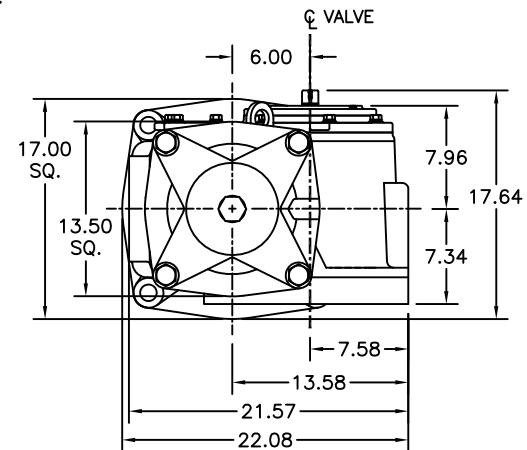


1-8 UNC-2B TAP x 1 3/4 DEEP
(8) PLACES AS SHOWN ON
14.02 DIA. BOLT CIRCLE



FEMALE DRIVE
6.250 ^{+0.005}/_{-0.000} DIA. BORE X 12.50" DEEP
1.501 ^{+0.004}/_{-0.000} RECTANGULAR KEYWAY
WITH 0.12 RADIUS INSIDE
KEYWAY CORNERS
(TO BE USED W/ 1 1/2" X 1" KEY)

VIEW B-B
ISO F35 MOUNTING PATTERN
SHOWN IN CLOSED POSITION



MORIN Birmingham, AL		TITLE: MODEL C-1934U-S000 ACTUATOR			
		DRAWN BY: CAW	DATE: 06/13/08	CHECKER:	DATE:
SCALE: FIT	REVISION: C	DRAWING NO.:		S60B064C	
SHEET 1 of 1	DWG. SIZE: E				

REV	DESCRIPTION	BY	CHK	APR	DATE
C	CORRECTED ACCES. PAD DETAIL: 1/4" VENT MIS 3/4" VENT	CAW			06/23/08
B	UPDATED VIEW B-B	CAW			06/26/08