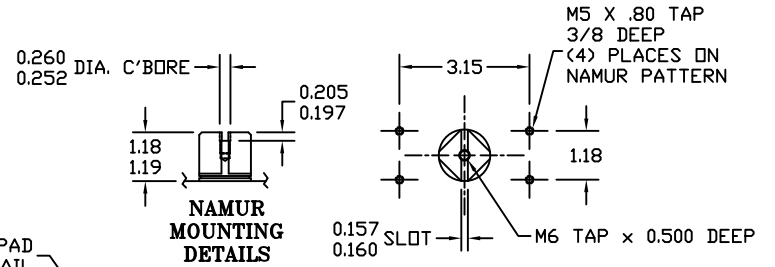
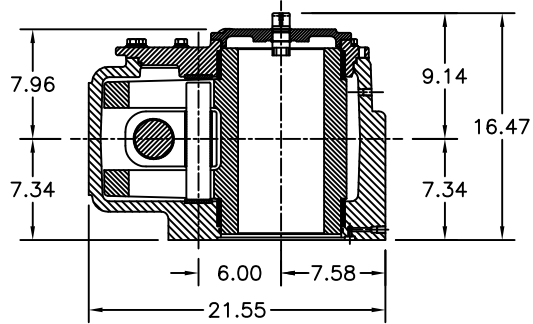


ACCESSORY PAD DETAIL
REAR VIEW

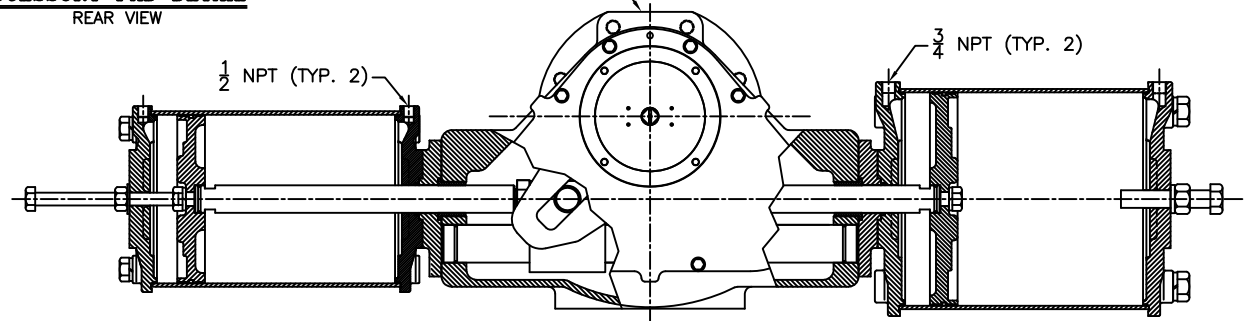


SEE ACCESSORY PAD
DETAIL

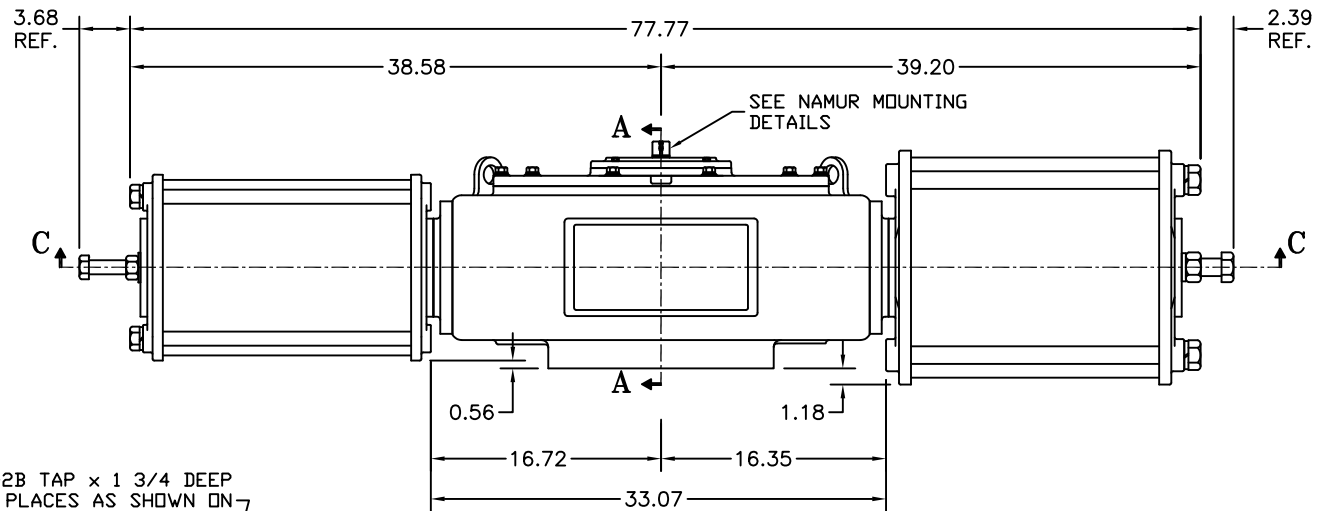
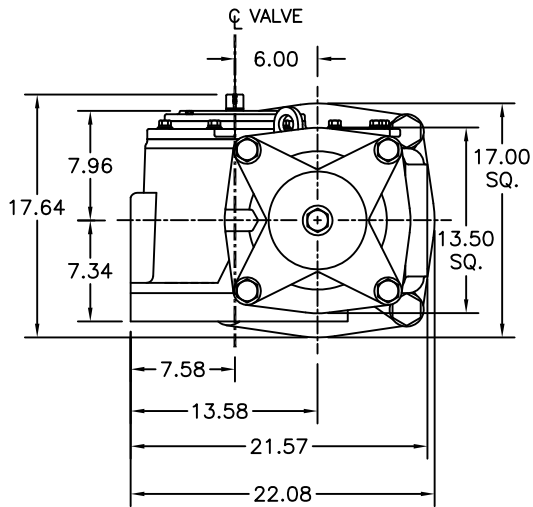


SECTION A-A

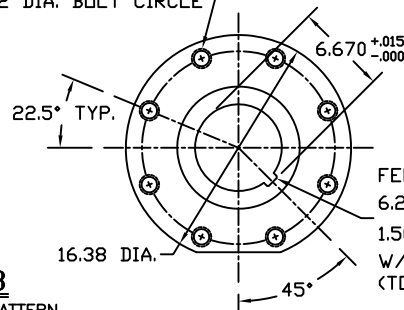
YOKE SHOWN AT MID-STROKE
ACCESSORIES OMITTED FOR CLARITY



SECTION C-C



1-8 UNC-2B TAP x 1 3/4 DEEP
(8) PLACES AS SHOWN ON
14.02 DIA. BOLT CIRCLE



VIEW B-B

ISO F35 MOUNTING PATTERN
SHOWN IN CLOSED POSITION

FEMALE DRIVE
6.250 ^{+0.005}/_{-0.000} DIA. BORE x 12.50 DEEP
1.501 ^{+0.004}/_{-0.000} RECTANGULAR KEYWAY
W/ 0.12 RADIUS INSIDE KEYWAY CORNERS
(TO BE USED W/ 1 1/2" x 1" KEY)

MORIN Birmingham, AL			
TITLE: MODEL C-1935U-D000 ACTUATOR			
DRAWN BY:	DATE:	CHECKER:	DATE:
CAW	06/18/08		
SCALE:	REVISION:	DRAWING NO.:	
1 : 3.5	D	S60B542D	
SHEET	DWG. SIZE:		
1 of 1	E		

D	UPDATED ADJUSTMENT SCREW	CAW		04/20/11
C	CORRECTED ACCESS PAD DETAIL: 1/4" VENT WAS 3/4" VENT	CAW		08/23/10
B	UPDATED VIEW B-B	CAW		02/26/08
REV	CHANGE	BY	CHK	APR DATE