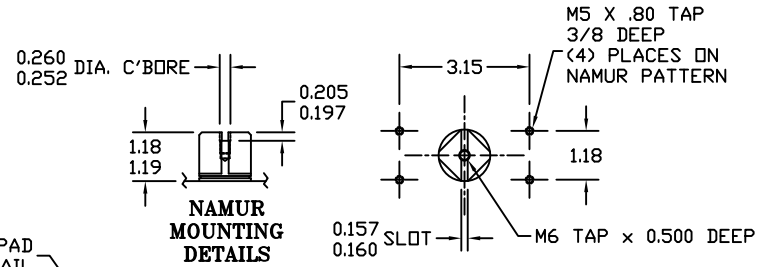
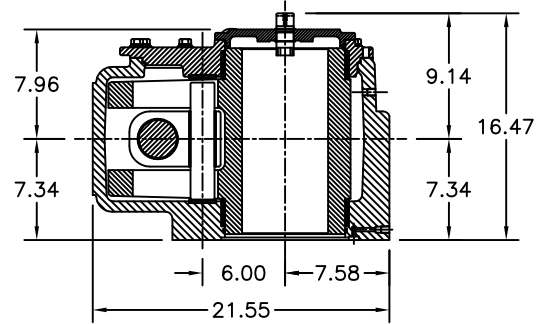


ACCESSORY PAD DETAIL
REAR VIEW

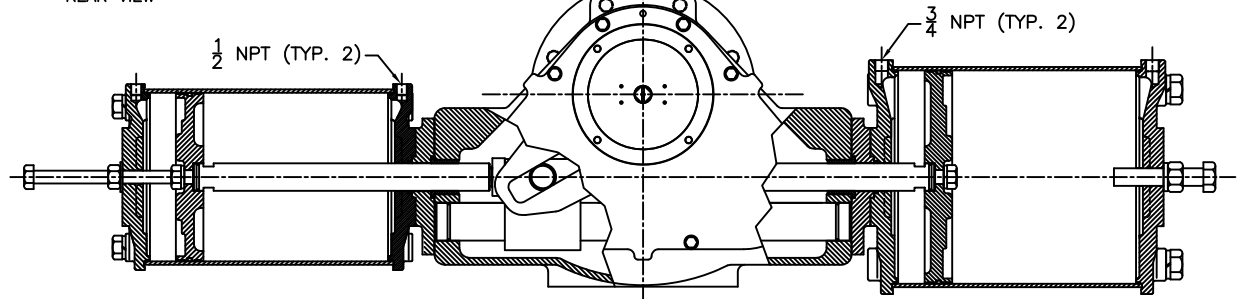


SEE ACCESSORY PAD
DETAIL

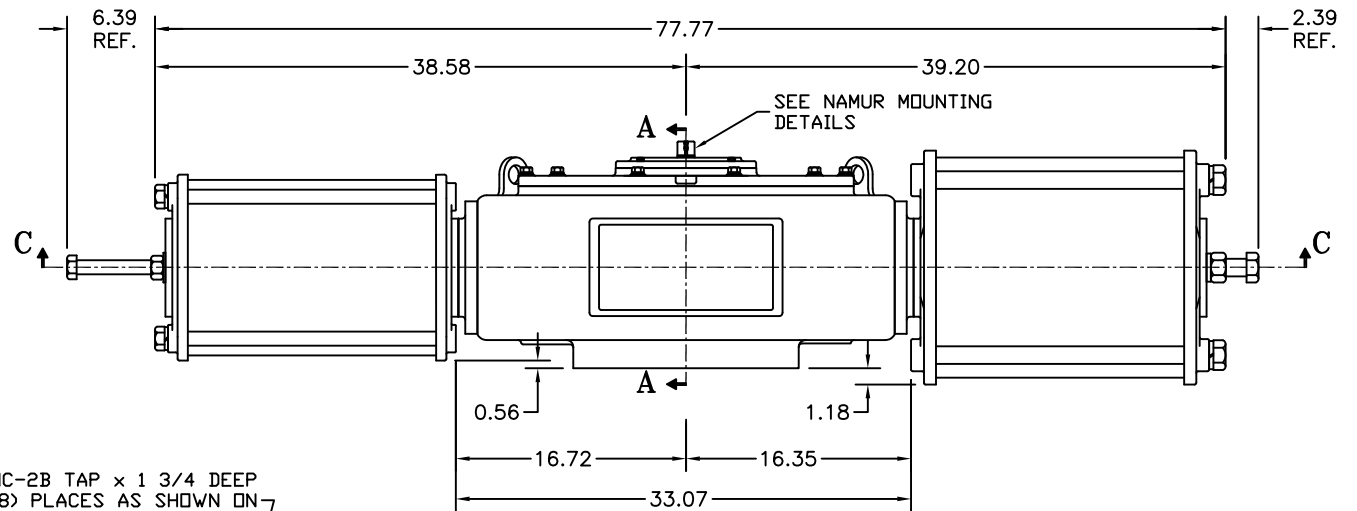
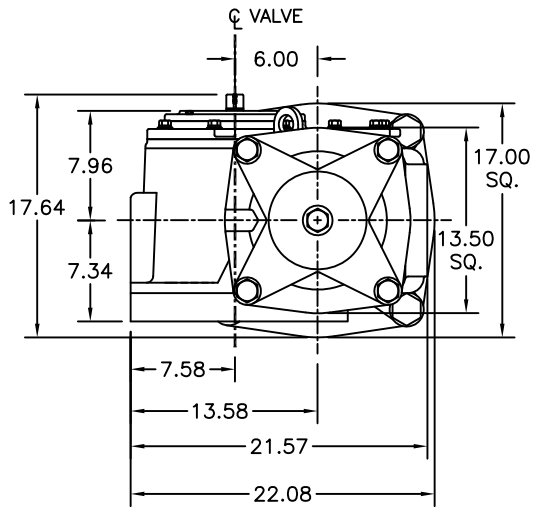


SECTION A-A

YOKE SHOWN AT MID-STROKE
ACCESSORIES OMITTED FOR CLARITY

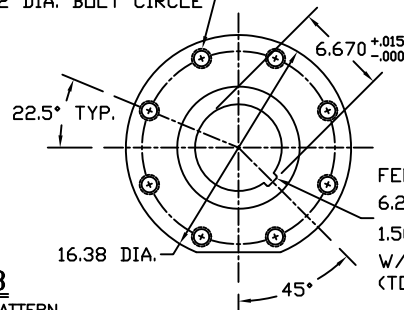


SECTION C-C



FRONT VIEW

1-8 UNC-2B TAP x 1 3/4 DEEP
(8) PLACES AS SHOWN ON
14.02 DIA. BOLT CIRCLE



VIEW B-B

ISO F35 MOUNTING PATTERN
SHOWN IN CLOSED POSITION

FEMALE DRIVE
6.250 +0.005
-0.000 DIA. BORE x 12.50 DEEP
1.501 +0.004
-0.000 RECTANGULAR KEYWAY
W/ 0.12 RADIUS INSIDE KEYWAY CORNERS
(TO BE USED W/ 1 1/2" x 1" KEY)

D	UPDATED ADJUSTMENT SCREW	CAW		04/20/11
C	CORRECTED ACCESS PAD DETAIL: 1/4" VENT HWS 3/4" VENT	CAW		09/23/10
B	UPDATED VIEW B-B	CAW		02/26/08
REV	CHANGE	BY	CHK	APR DATE

MORIN Birmingham, AL				
TITLE: MODEL C-1935UC-D000 ACTUATOR				
DRAWN BY:	DATE:	CHECKER:	DATE:	APPROVAL:
CAW	08/15/06			
SCALE:	REVISION:	DRAWING NO.:		
1 : 3.5	D	S60B541D		
SHEET	DWG. SIZE:			
1 of 1	E			