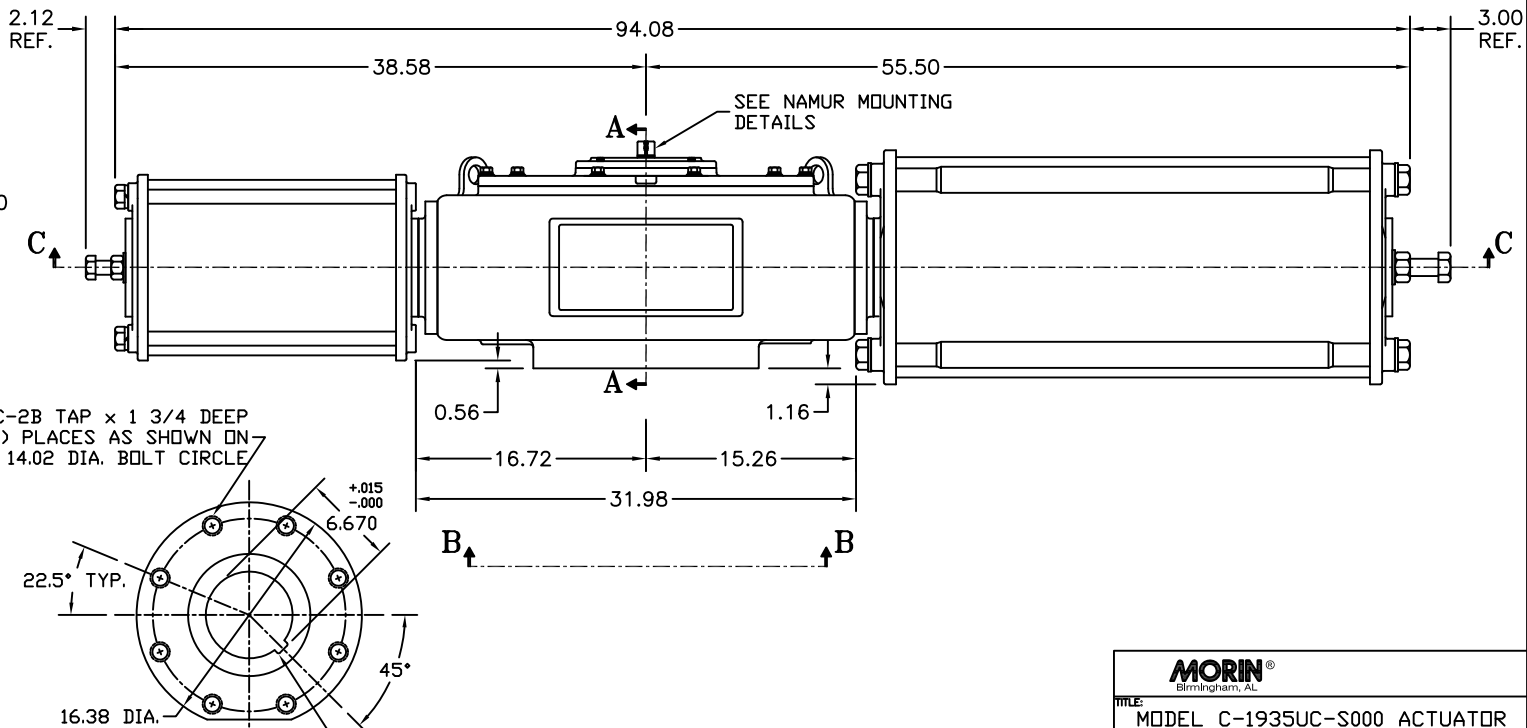
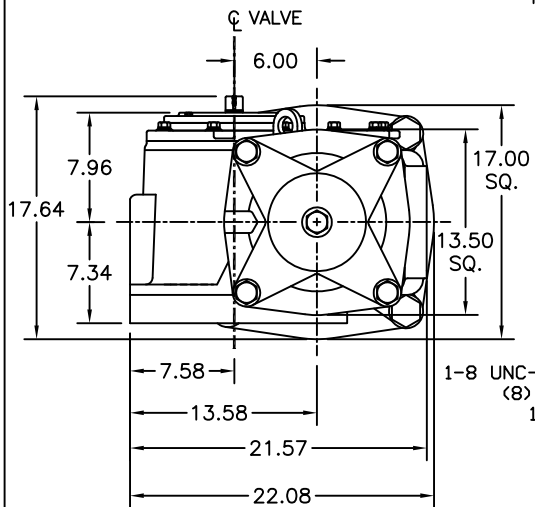
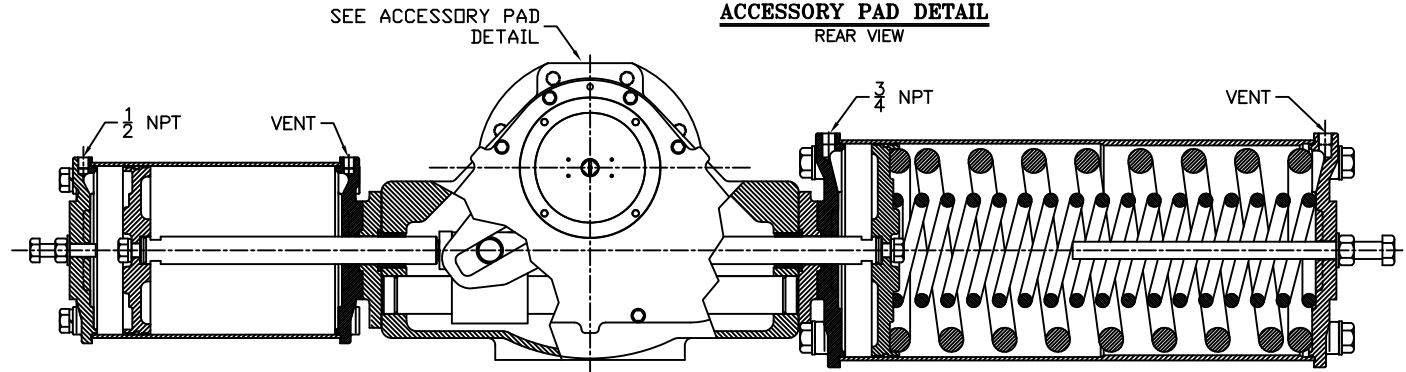


SECTION A-A
YOKE SHOWN AT MID-STROKE
ACCESSORIES OMITTED FOR CLARITY



FEMALE DRIVE
6.250^{+0.005}/_{-0.000} DIA. BORE X 12.50" DEEP
1.501^{+0.004}/_{-0.000} RECTANGULAR KEYWAY
WITH 0.12 RADIUS INSIDE
KEYWAY CORNERS
(TO BE USED W/ 1 1/2" X 1" KEY)

VIEW B-B
ISO F35 MOUNTING PATTERN
SHOWN IN CLOSED POSITION

MORIN Birmingham, AL		TITLE: MODEL C-1935UC-S000 ACTUATOR			
		DRAWN BY: CAW	DATE: 06/13/08	CHECKER:	DATE:
SCALE: 1 : 3.5	REVISION: D	DRAWING NO.: S60B068D			
SHEET 1 of 1	DWG. SIZE: E				

REV	DESCRIPTION	BY	CHK	APR	DATE
D	UPDATED ADJUSTMENT SCREW SIZE AND LENGTH	CAW			03/01/11
C	CORRECTED ACCES. PAD DETAIL: 1/4" VENT MIS 3/4" VENT	CAW			09/23/10
B	UPDATED VIEW B-B	CAW			08/26/08
	CHANGE		CHK	APR	