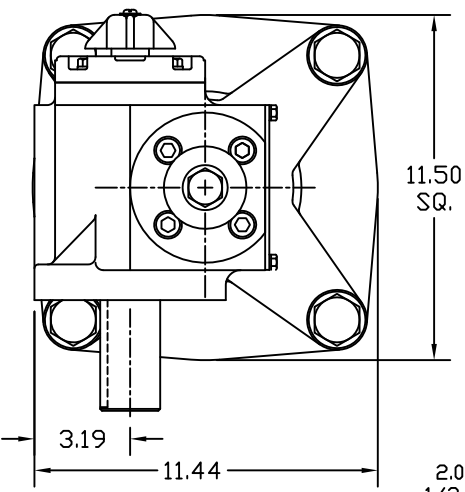
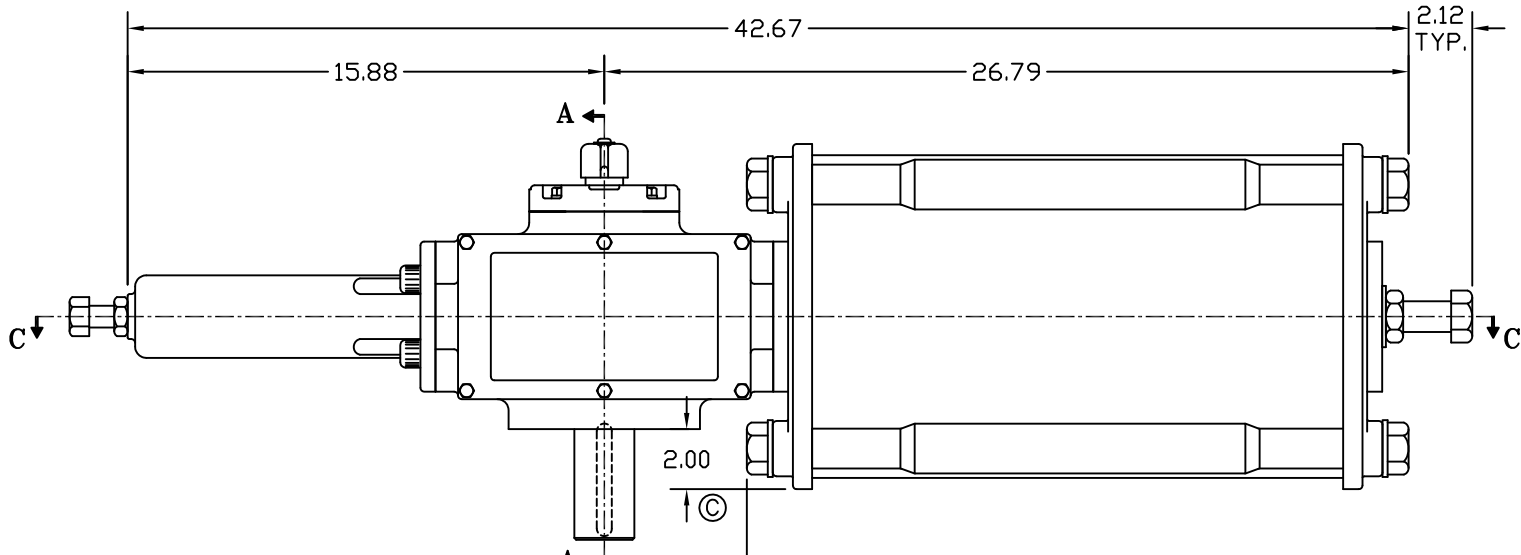
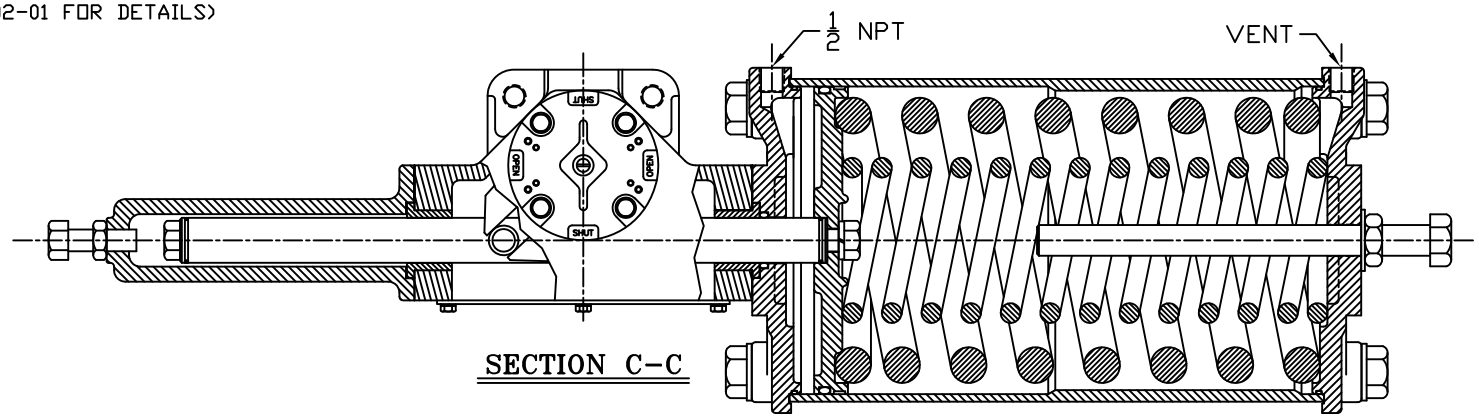
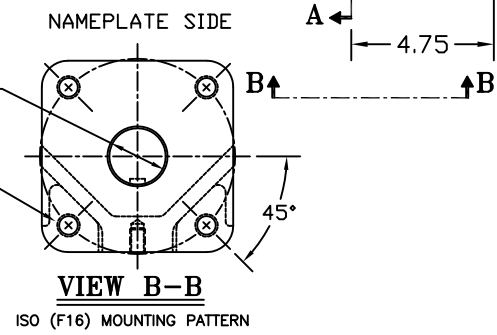


SECTION A-A
YOKE SHOWN AT MID-STROKE
POINTER OMITTED FOR CLARITY



2.000/1.994 DIAMETER SHAFT
1/2 SQ. x 3.19 LONG KEYWAY
W/ .031 RADIUS INSIDE KEYWAY CORNERS
(TO BE USED W/ 1/2" X 3 3/16" KEY)

3/4-10 UNC TAP x 1.18 DEEP
(4) PLACES AS SHOWN ON
6.50 DIAMETER BOLT CIRCLE



REV	CHANGE	BY	CHK	APR	DATE
C	2.00 WAS 1.00	CAW			07/08/08
B	UPDATED SECTION A-A & VIEW B-B	CAW			02/20/07

MORIN® Birmingham, AL					
TITLE: MODEL C-210U-S000 ACTUATOR					
DRAWN BY:	DATE:	CHECKER:	DATE:	APPROVAL:	DATE:
CAW	08/11/06				
SCALE:	HALF	REVISION:	C	DRAWING NO.:	
				S25B161C	
	1 of 1	DWG. SIZE:	D		