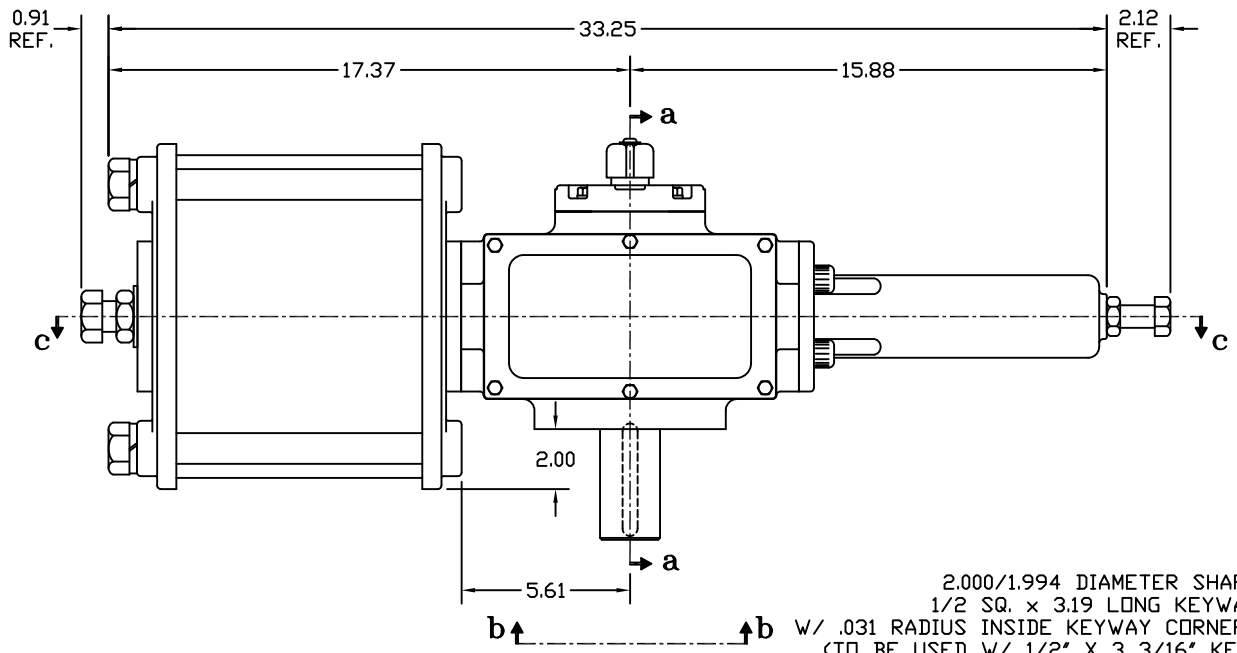
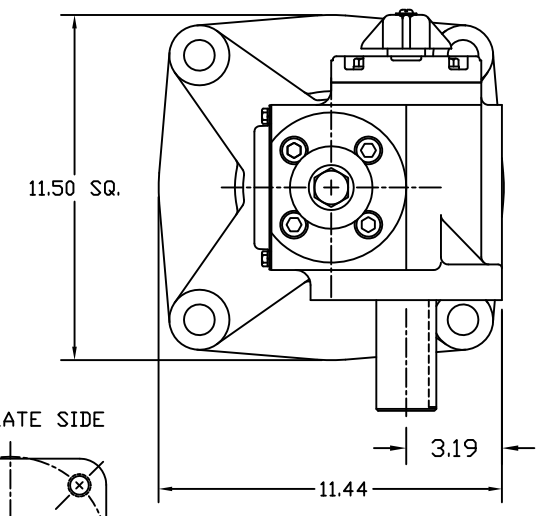


YOKE SHOWN AT MID-STROKE  
POINTER OMITTED FOR CLARITY

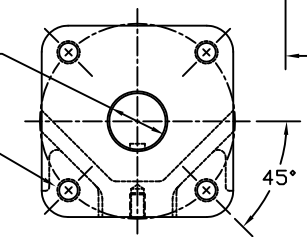


2.000/1.994 DIAMETER SHAFT  
1/2 SQ. x 3.19 LONG KEYWAY  
W/ .031 RADIUS INSIDE KEYWAY CORNERS  
(TO BE USED W/ 1/2" x 3 3/16" KEY)

3/4-10 UNC TAP x 1.18 DEEP  
(4) PLACES AS SHOWN ON  
6.50 DIAMETER BOLT CIRCLE



NAMEPLATE SIDE



ISO (F16) MOUNTING PATTERN

<b>MORIN®</b> Birmingham, AL			
TITLE: MODEL C-210UC-D000 ACTUATOR			
DRAWN BY: CAW	DATE: 08/14/06	CHECKER:	DATE:
SCALE: HALF	REVISION: B	DRAWING NO.:	
SHEET: 1 of 1	DWG. SIZE: D	S25B581B	

B	UPDATED SECTION A-A & VIEW B-B	CAW		02/20/07	
REV	CHANGE	BY	CHK	APR	DATE