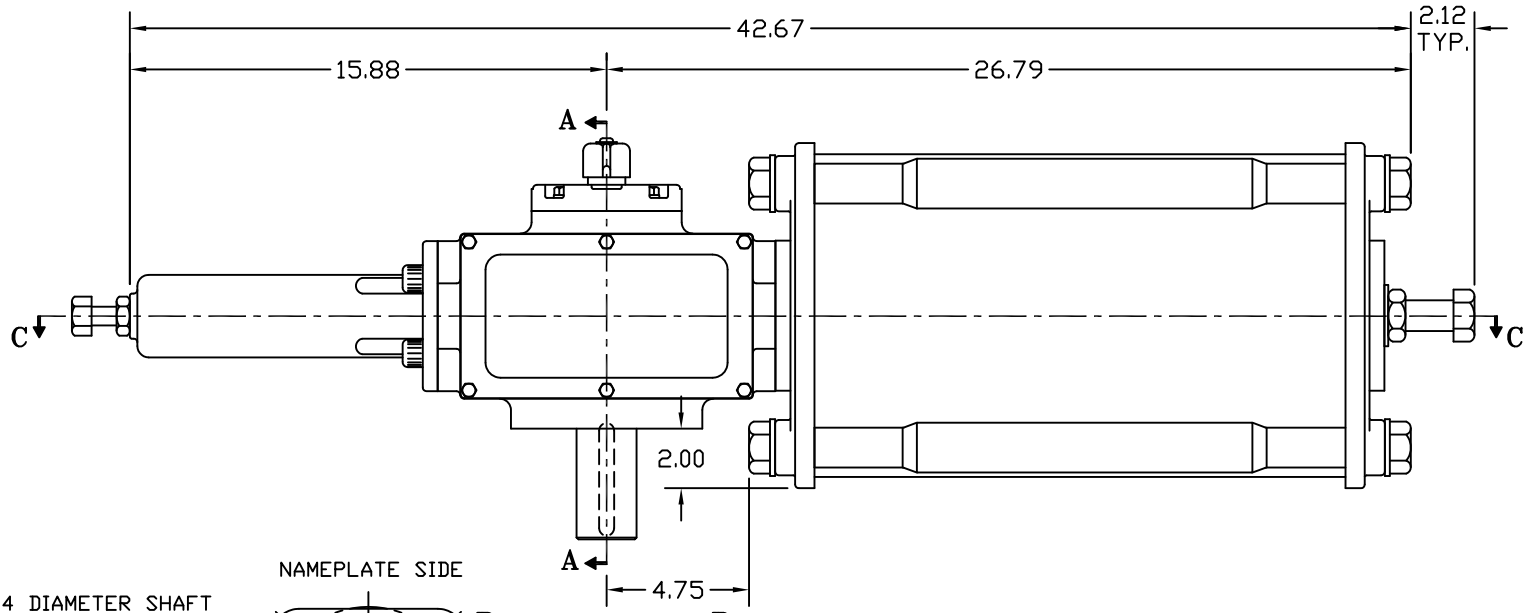
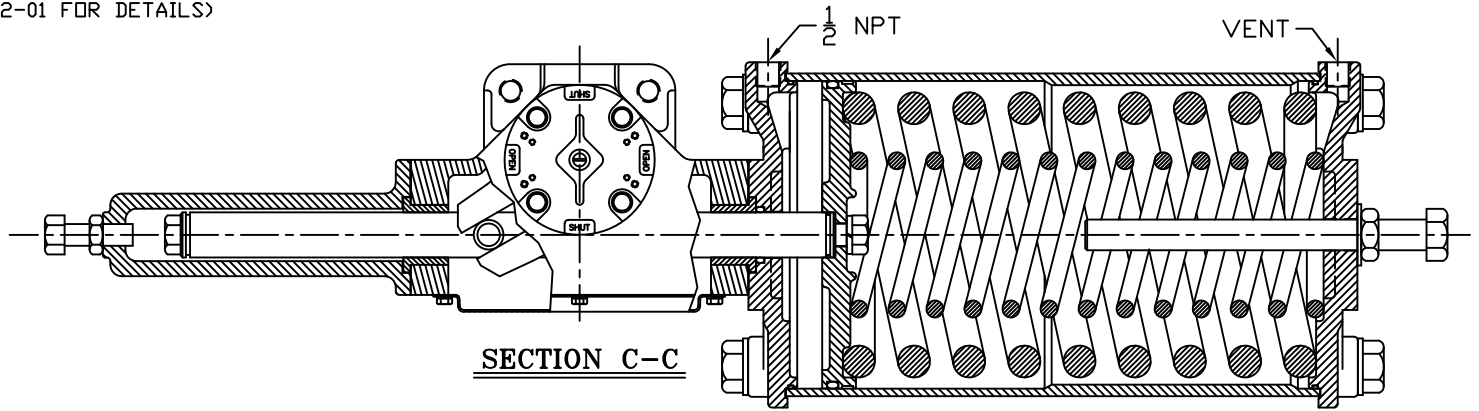
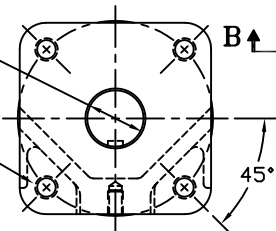


SECTION A-A
YOKE SHOWN AT MID-STROKE
POINTER OMITTED FOR CLARITY



NAMEPLATE SIDE



VIEW B-B
ISO (F16) MOUNTING PATTERN

2.000/1.994 DIAMETER SHAFT
1/2 SQ. x 3.19 LONG KEYWAY
W/ .031 RADIUS INSIDE KEYWAY CORNERS
(TO BE USED W/ 1/2" X 3 3/16" KEY)

3/4-10 UNC TAP x 1.18 DEEP
(4) PLACES AS SHOWN ON
6.50 DIAMETER BOLT CIRCLE

REV	CHANGE	BY	CHK	APR	DATE
C	UPDATED SECTION A-A & HOUSING COVER TO CANTED	CAW			08/04/06
B	UPDATED SECTION A-A & VIEW B-B	CAW			02/20/07

MORIN Birmingham, AL					
TITLE: MODEL C-210UC-S000 ACTUATOR					
DRAWN BY:	DATE:	CHECKER:	DATE:	APPROVAL:	DATE:
CAW	08/11/06				
SCALE:	REVISION:	DRAWING NO.:			
HALF	C	S25B162C			
SHEET	DWG. SIZE:				
1 of 1	D				