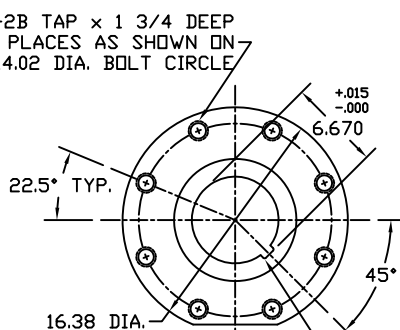
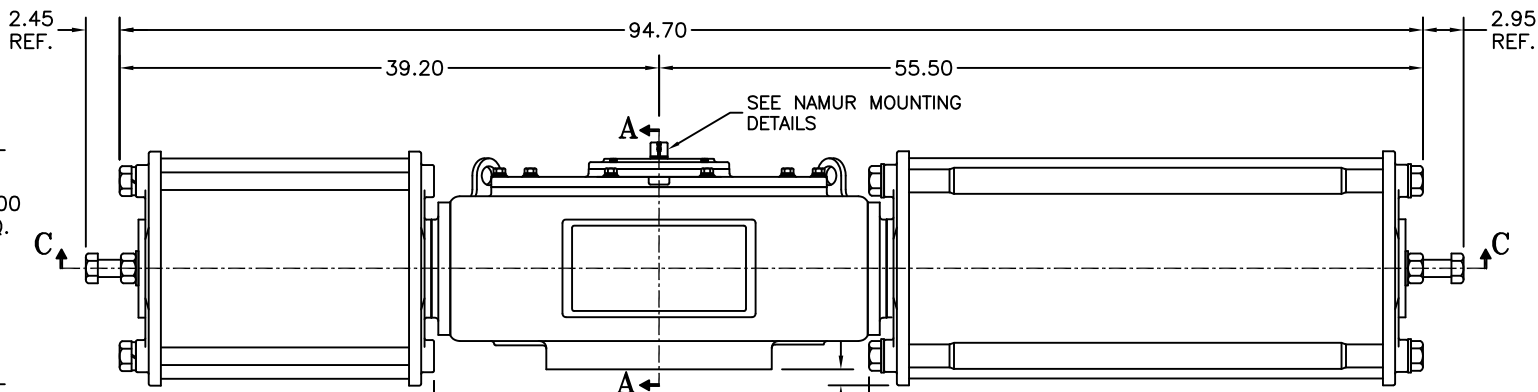
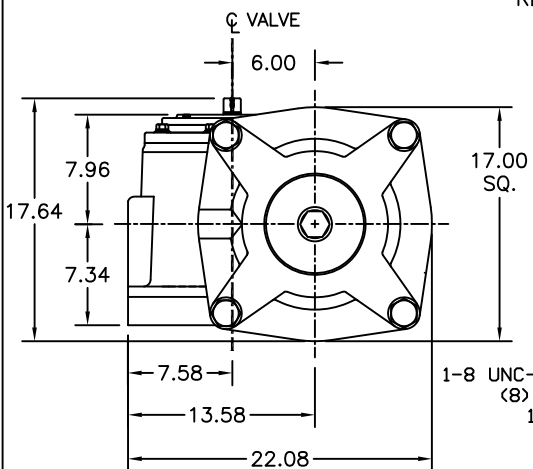
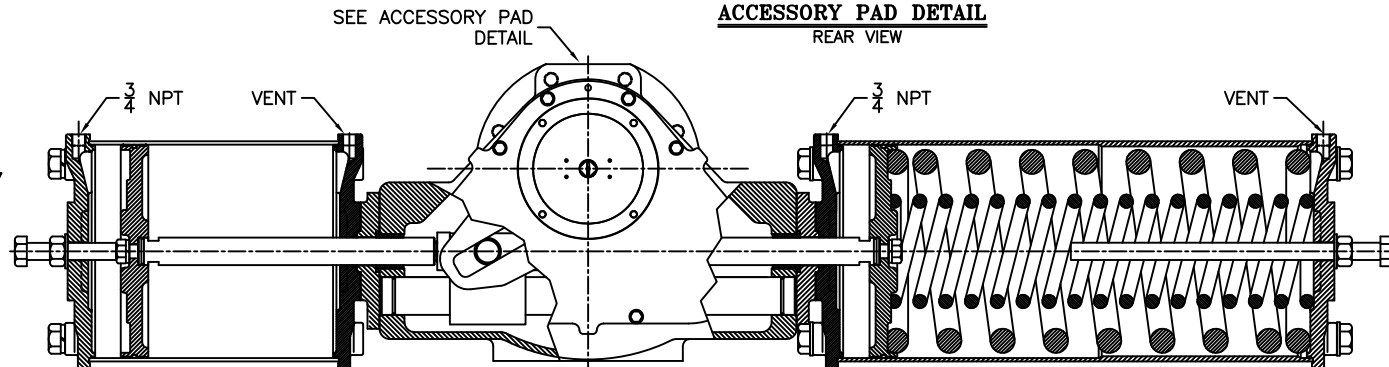


**SECTION A-A**  
YOKE SHOWN AT MID-STROKE  
ACCESSORIES OMITTED FOR CLARITY



**VIEW B-B**  
ISO F35 MOUNTING PATTERN  
SHOWN IN CLOSED POSITION

**FEMALE DRIVE**  
6.250<sup>+0.005</sup> DIA. BORE X 12.50" DEEP  
1.501<sup>+0.004</sup> RECTANGULAR KEYWAY  
WITH 0.12 RADIUS INSIDE  
KEYWAY CORNERS  
(TO BE USED W/ 1 1/2" X 1" KEY)

<b>MORIN</b> Birmingham, AL			
TITLE: MODEL C-2385UC-S000 ACTUATOR			
DRAWN BY:	DATE:	CHECKER:	DATE:
CAW	07/10/08		
SCALE:	REVISION:	DRAWING NO.:	
1 : 3.5	D	S60B084D	
SHEET	DWG. SIZE:		
1 of 1	E		

D	UPDATED ADJUSTMENT SCREW SIZE AND LENGTH	CAW		03/07/11
C	CORRECTED ACCESS. PAD DETAIL: 1/4" VENT HAS 3/4" VENT	CAW		08/23/10
B	UPDATED VIEW B-B	CAW		08/26/08
REV	CHANGE	BY	CHK	APR DATE