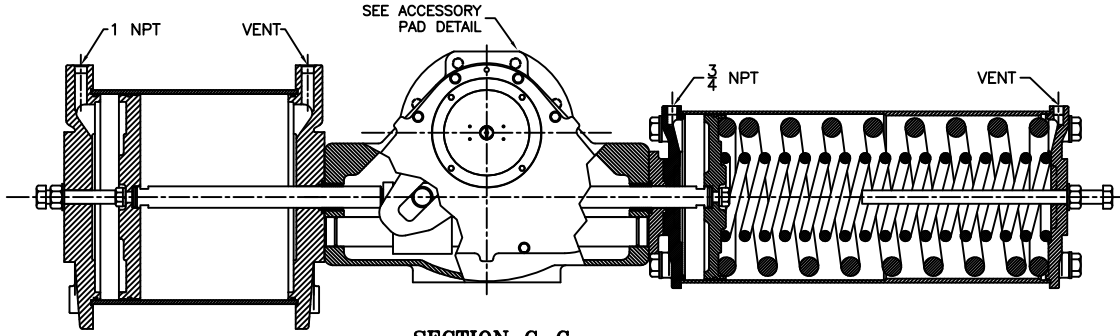
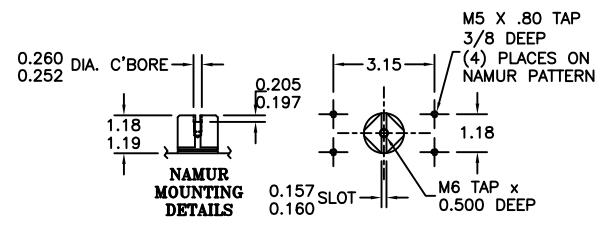
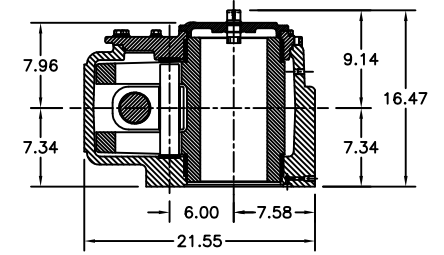


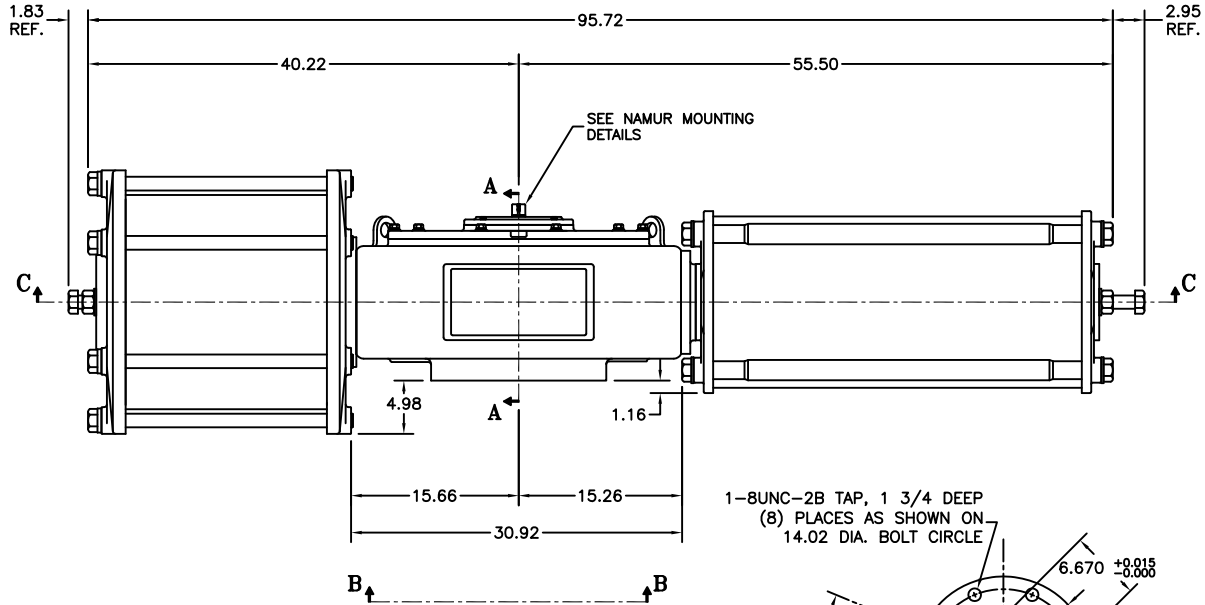
ACCESSORY PAD DETAIL
REAR VIEW



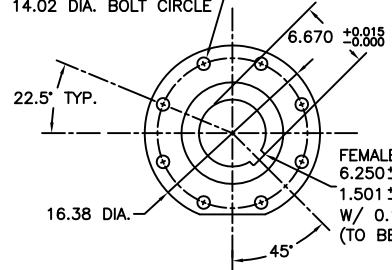
SECTION C-C



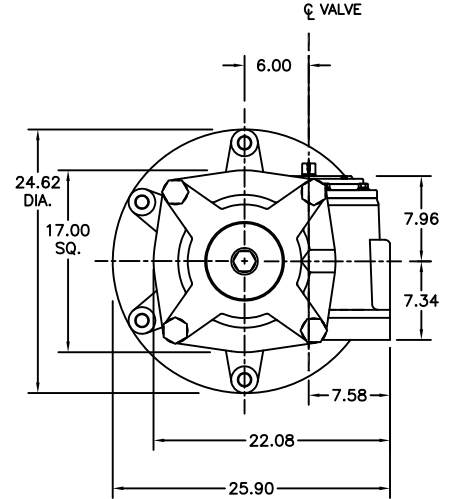
SECTION A-A
YOKE SHOWN AT MID-STROKE
ACCESSORIES OMITTED FOR CLARITY



1-8UNC-2B TAP, 1 3/4 DEEP
(8) PLACES AS SHOWN ON
14.02 DIA. BOLT CIRCLE



FEMALE DRIVE
6.250 ±0.008 DIA. BORE X 12.50 DEEP
1.501 ±0.008 RECTANGULAR KEYWAY
W/ 0.12 RADIUS INSIDE KEYWAY CORNERS
(TO BE USED W/ 1 1/2" X 1" KEY)



VIEW B-B
ISO F35 MOUNTING PATTERN
SHOWN IN CLOSED POSITION

D	UPDATED ADJUSTMENT SCREW SIZE AND LENGTH	CAW			03/07/11
C	CORRECTED ACCES. PAD DETAIL: 1/4" VENT MIS 3/4" VENT	CAW			08/23/10
B	UPDATED VIEW B-B	CAW			08/28/08
REV	CHANGE	BY	CHK	APR	DATE

MORIN® Morph Actuator
110 Commerce Drive
Pelham, Alabama, U.S.A. 35124
(205) 863-9533

MODEL C-3071U-S000 ACTUATOR

DRAWN BY: CAW DATE: 07/15/08 CHECKED: DATE: APPROVED: DATE:

SCALE: 1:5 REVISION: D DRAWING NO.:

SHEET 1 OF 1 DWG. SIZE: E

S60B085D