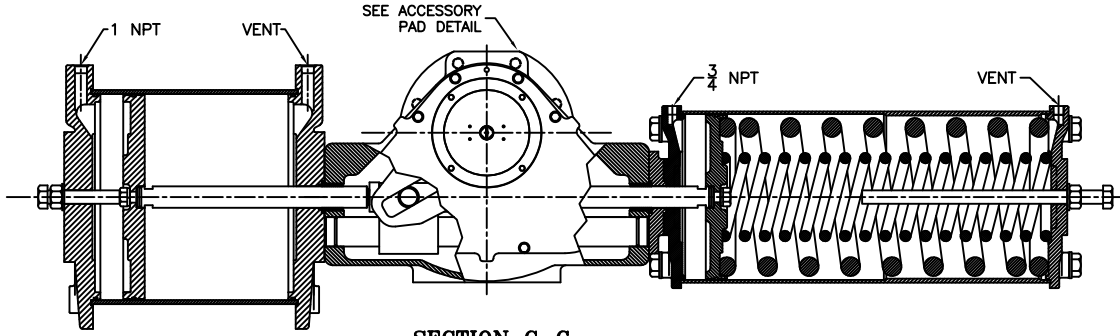
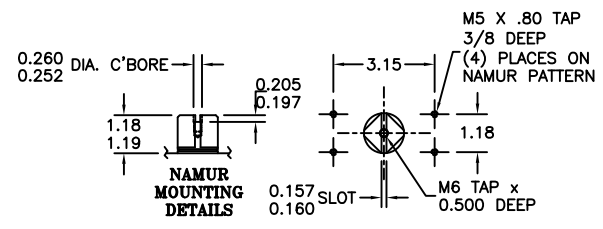
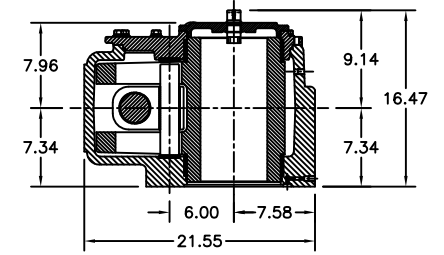


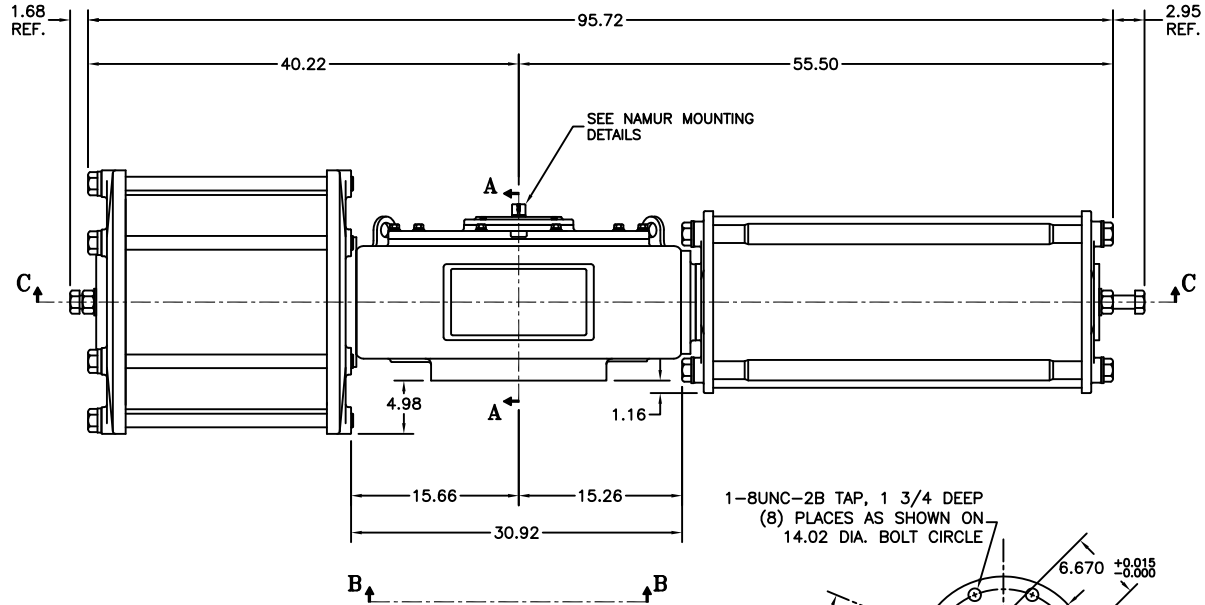
ACCESSORY PAD DETAIL
REAR VIEW



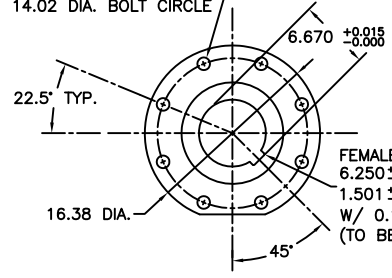
SECTION C-C



SECTION A-A
YOKE SHOWN AT MID-STROKE
ACCESSORIES OMITTED FOR CLARITY

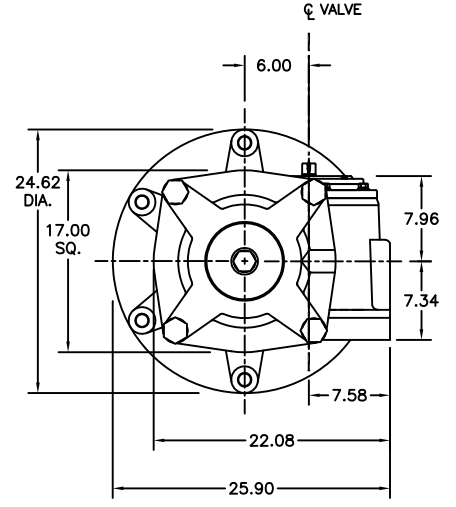


1-8UNC-2B TAP, 1 3/4 DEEP
(8) PLACES AS SHOWN ON
14.02 DIA. BOLT CIRCLE



VIEW B-B

ISO F35 MOUNTING PATTERN
SHOWN IN CLOSED POSITION



| REV | CHANGE | BY | CHK | APR | DATE |
|-----|---|-----|-----|-----|----------|
| D | UPDATED ADJUSTMENT SCREW SIZE AND LENGTH | CAW | | | 03/07/11 |
| C | CORRECTED ACCESS. PAD DETAIL: 1/4\" VENT MIS 3/4\" VENT | CAW | | | 08/23/10 |
| B | UPDATED VIEW B-B | CAW | | | 08/26/10 |

MORIN
MORIN ACTUATOR
110 Commerce Drive
Pelham, Alabama, U.S.A. 35124
www.morinact.com (205) 663-9333

MODEL C-3071UC-S000 ACTUATOR

DRAWN BY: CAW DATE: 07/16/08 CHECKED: DATE: APPROVED: DATE:

SCALE: 1 : 4.5 REVISION: D DRAWING NO.:

SHEET 1 OF 1 DWG. SIZE: E

S60B088D