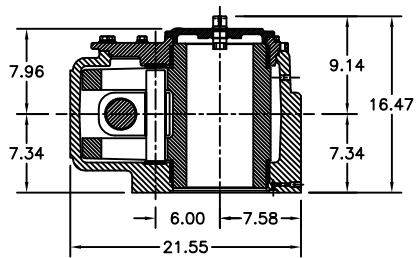
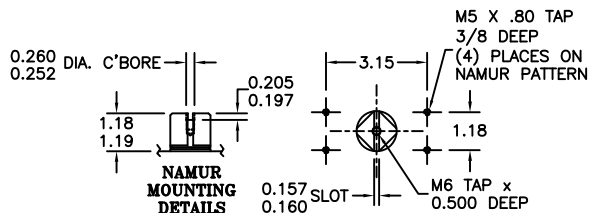
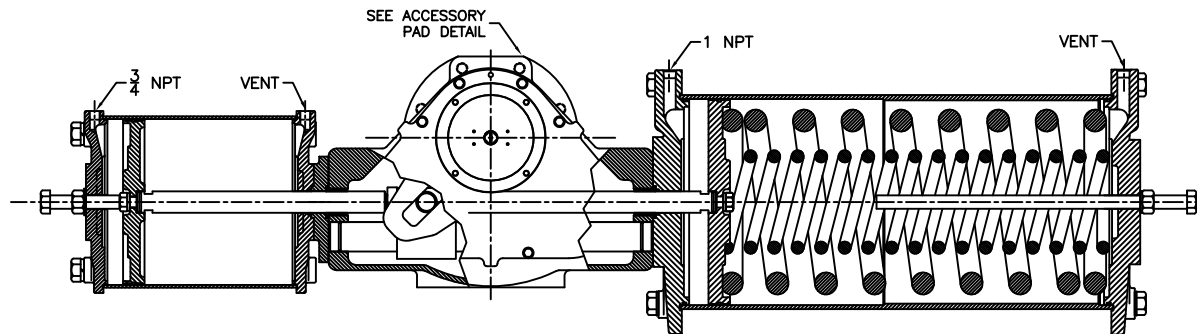


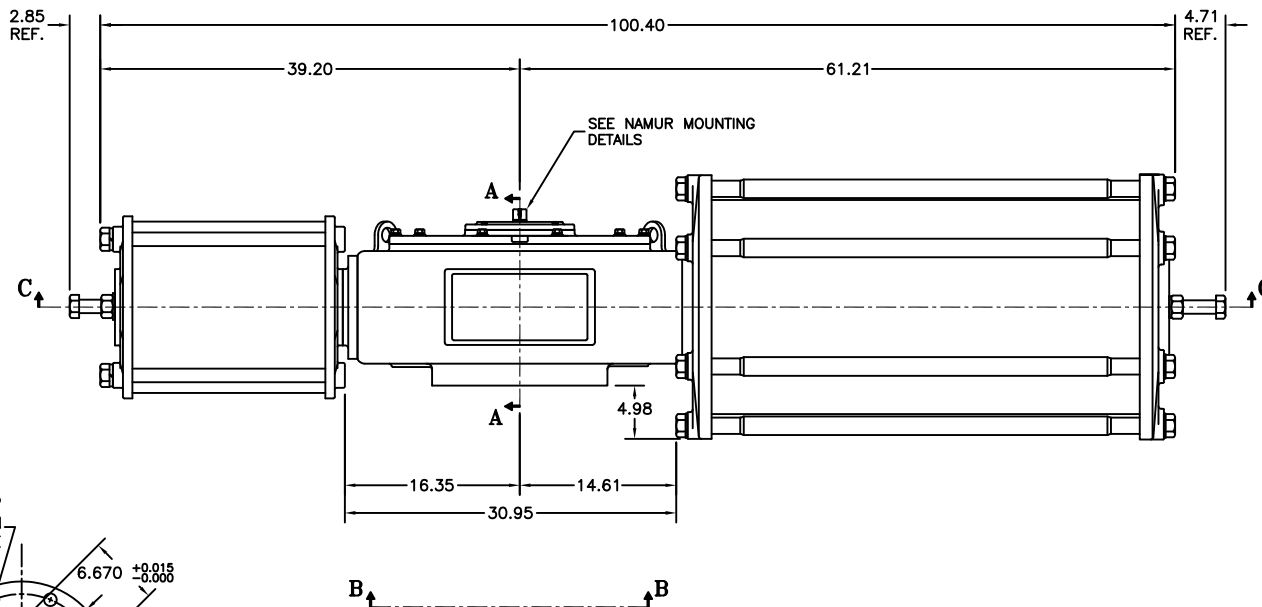
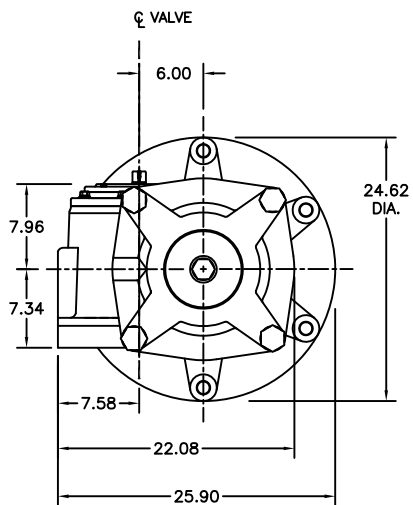
ACCESSORY PAD DETAIL
REAR VIEW



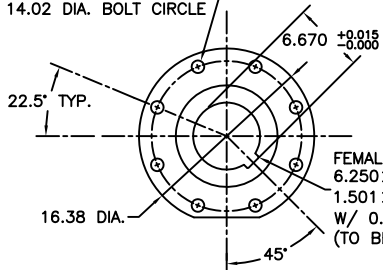
SECTION A-A
YOKE SHOWN AT MID-STROKE
ACCESSORIES OMITTED FOR CLARITY



SECTION C-C



1-BUNC-2B TAP, 1 3/4 DEEP
(8) PLACES AS SHOWN ON
14.02 DIA. BOLT CIRCLE



FEMALE DRIVE
6.250^{+0.008} DIA. BORE X 12.50 DEEP
1.501^{+0.008} RECTANGULAR KEYWAY
W/ 0.12 RADIUS INSIDE KEYWAY CORNERS
(TO BE USED W/ 1 1/2" X 1" KEY)

VIEW B-B

ISO F35 MOUNTING PATTERN
SHOWN IN CLOSED POSITION

MORIN
MORIN ACTUATOR
110 Commerce Drive
Pelham, Alabama, U.S.A. 35124
www.morinact.com (205) 663-9533

MODEL C-3072U-S000 ACTUATOR

DRAWN BY:	DATE:	CHECKED:	DATE:	APPROVED:	DATE:
CAW	07/16/08				
SCALE:	1 : 4.5	REVISION:	D	DRAWING NO.:	
SHEET	1 OF 1	DWG. SIZE:	E		S60B090D

D	UPDATED ADJUSTMENT SCREW SIZE AND LENGTH	CAW			03/07/11
C	CORRECTED ACCESS. PAD DETAIL: 1/4" VENT MIS 3/4" VENT	CAW			08/23/10
B	UPDATED VIEW B-B	CAW			08/26/08
REV	CHANGE	BY	CHK	APR	DATE