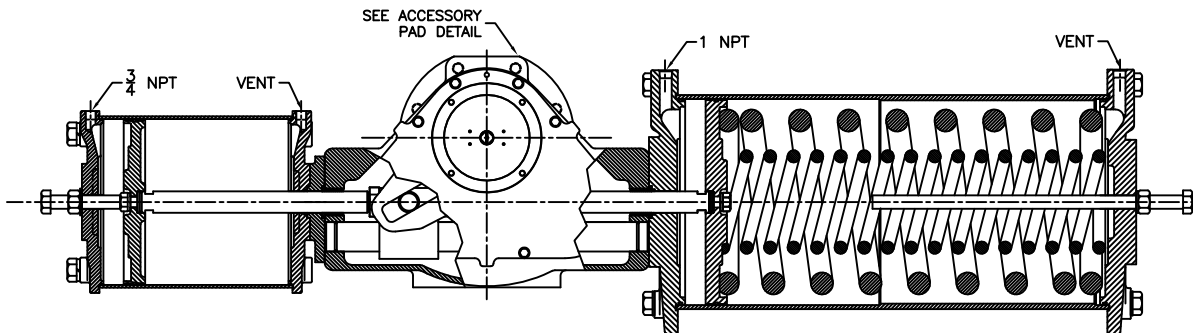
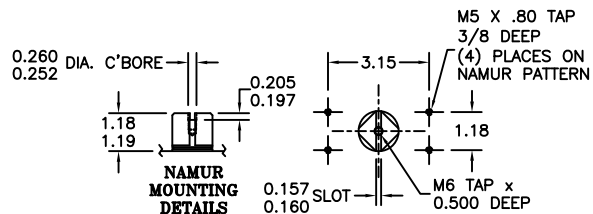
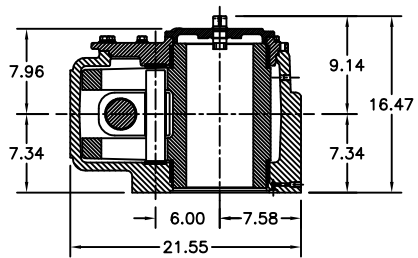


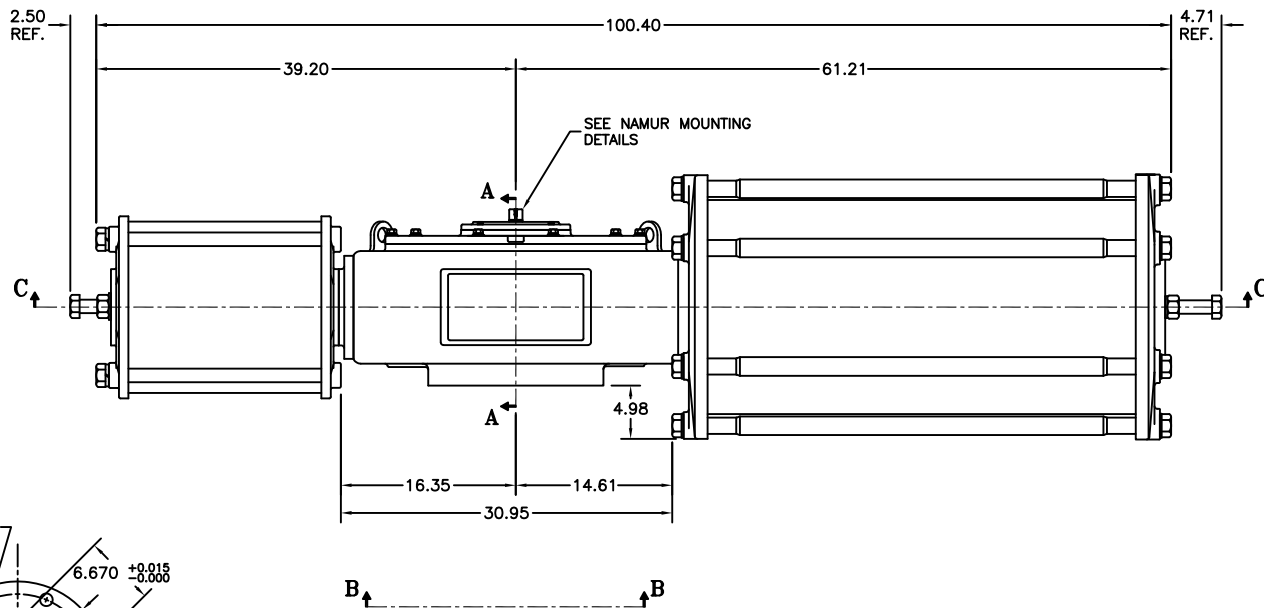
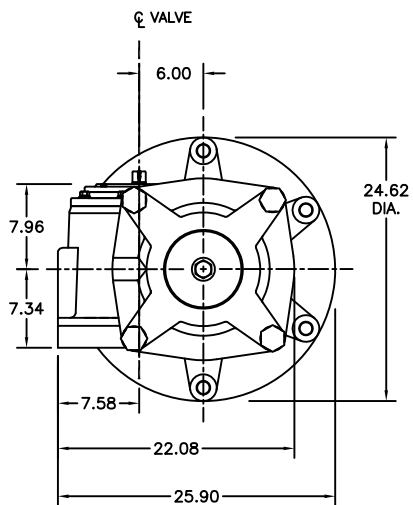
ACCESSORY PAD DETAIL
REAR VIEW



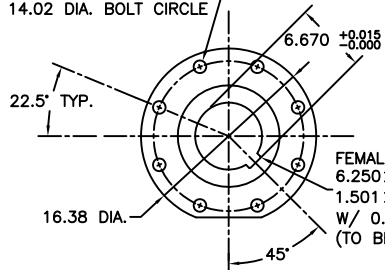
SECTION C-C



SECTION A-A
YOKE SHOWN AT MID-STROKE
ACCESSORIES OMITTED FOR CLARITY



1-8UNC-2B TAP, 1 3/4 DEEP
(8) PLACES AS SHOWN ON
14.02 DIA. BOLT CIRCLE



FEMALE DRIVE
6.250^{+0.008} DIA. BORE X 12.50 DEEP
1.501^{+0.008} RECTANGULAR KEYWAY
W/ 0.12 RADIUS INSIDE KEYWAY CORNERS
(TO BE USED W/ 1 1/2" X 1" KEY)

VIEW B-B

ISO F35 MOUNTING PATTERN
SHOWN IN CLOSED POSITION

REV	DESCRIPTION	BY	CHK	APR	DATE
D	CORRECTED ACCES. PAD DETAIL: 1/4" VENT WAS 3/4" VENT	CAW			09/24/10
C	UPDATED VIEW B-B	CAW			09/28/08
B	CHANGED TO NEW STYLE POWERHEAD	CAW			04/20/08
REV	CHANGE	BY	CHK	APR	DATE

MORIN		Morph Actuator 110 Commerce Drive Pelham, Alabama, U.S.A. 35124 (205) 662-9533	
MODEL C-3072UC-S000 ACTUATOR			
DRAWN BY:	DATE:	CHECKED:	DATE:
CAW	11/26/07		
SCALE:	REVISION:	DRAWING NO.:	
1 : 5	D		
SHEET	DWG. SIZE:		
1 OF 1	E	S60B051D	