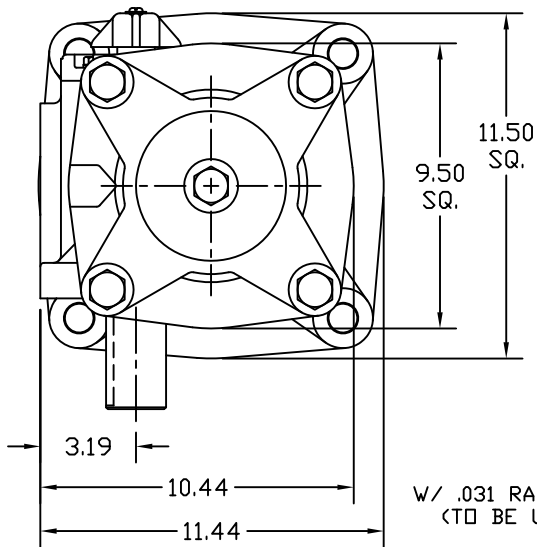


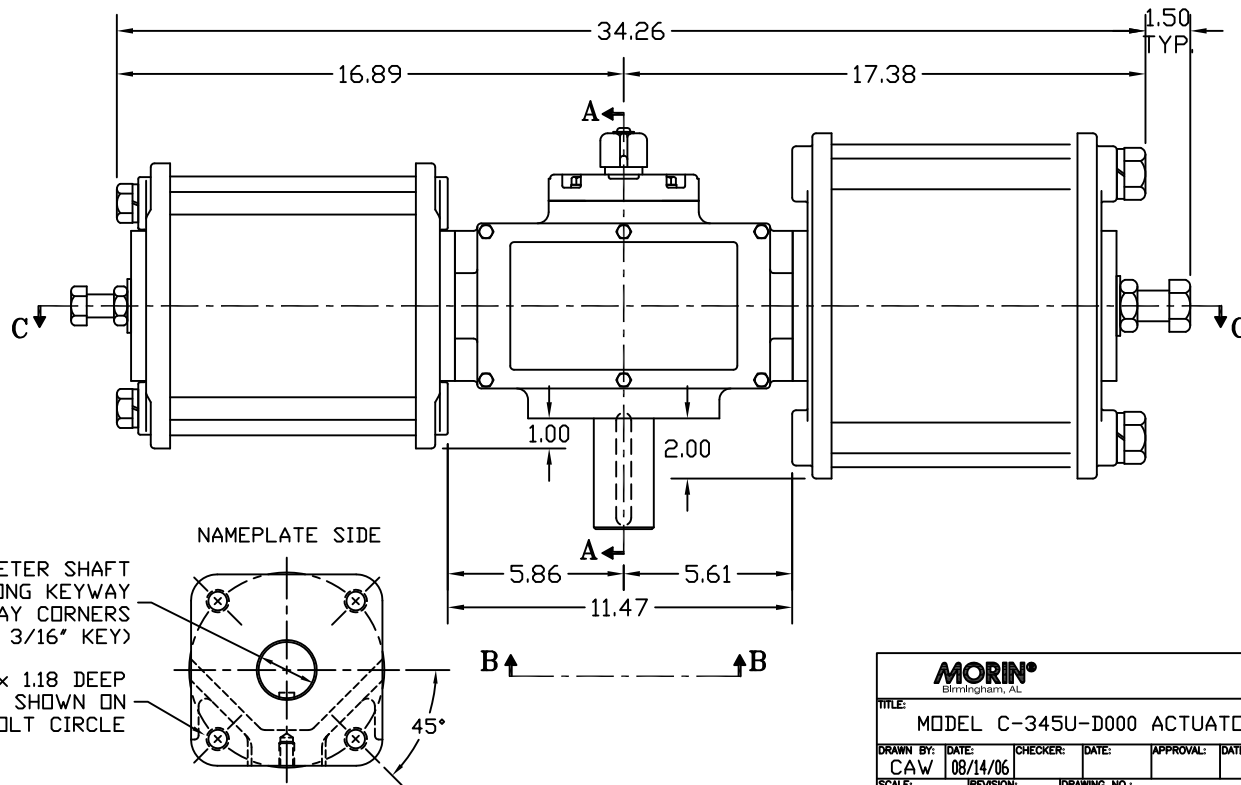
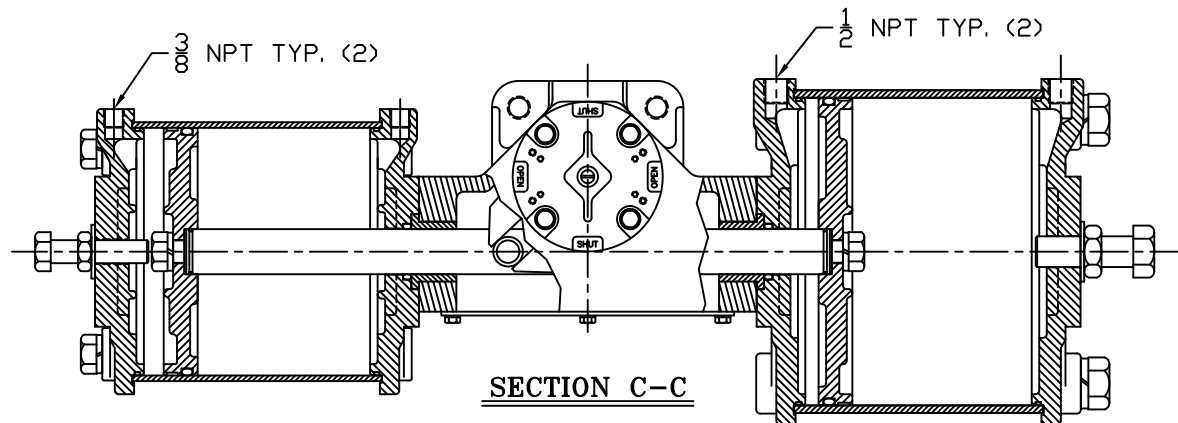
SECTION A-A

YOKE SHOWN AT MID-STROKE
POINTER OMITTED FOR CLARITY

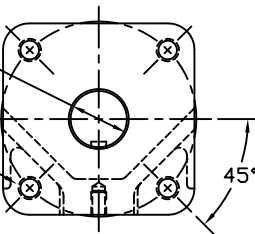


2.000/1.994 DIAMETER SHAFT
1/2 SQ. x 3.19 LONG KEYWAY
W/ .031 RADIUS INSIDE KEYWAY CORNERS
(TO BE USED W/ 1/2" X 3 3/16" KEY)

3/4-10 UNC TAP x 1.18 DEEP
(4) PLACES AS SHOWN ON
6.50 DIAMETER BOLT CIRCLE



NAMEPLATE SIDE



ISO (F16) MOUNTING PATTERN

MORIN® Birmingham, AL			
TITLE: MODEL C-345U-D000 ACTUATOR			
DRAWN BY:	DATE:	CHECKER:	DATE:
CAW	08/14/06		
SCALE:	REVISION:	DRAWING NO.:	
HALF	B		
SHEET	DWG. SIZE:		
1 of 1	D	S25B579B	

REV	DESCRIPTION	BY	CHK	APR	DATE
B	UPDATED SECTION A-A & VIEW B-B	CAW			02/20/07
	CHANGE				