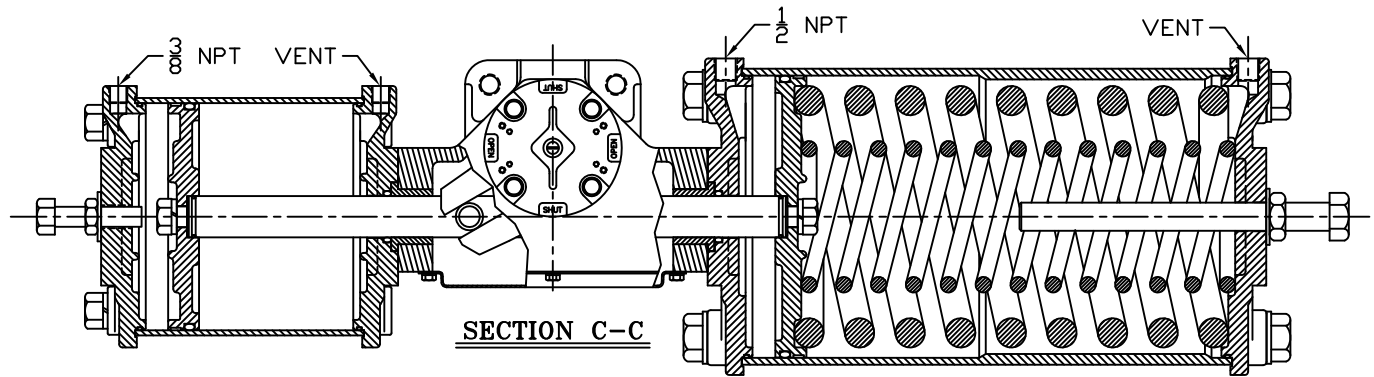
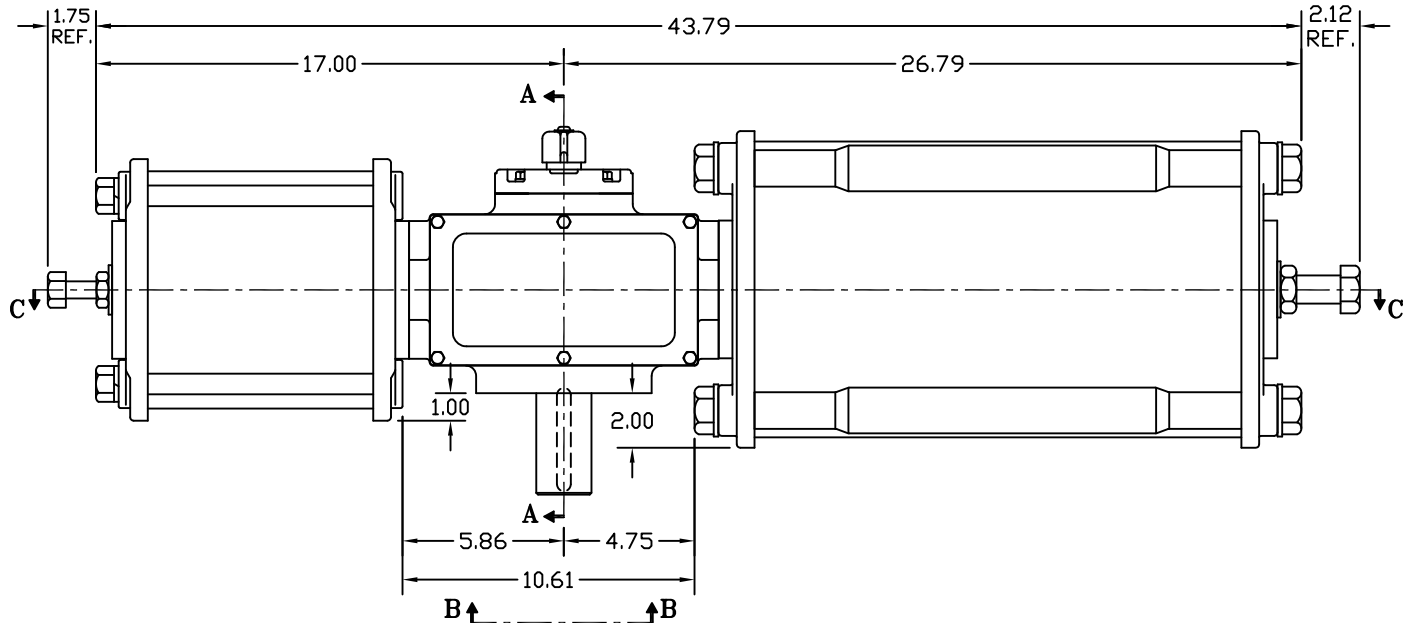
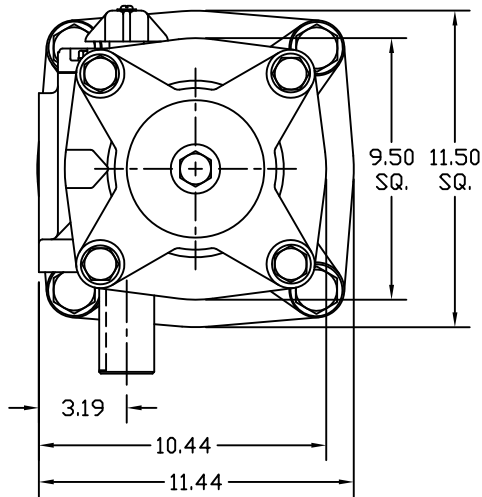


**SECTION A-A**

YOKE SHOWN AT MID-STROKE  
POINTER OMITTED FOR CLARITY



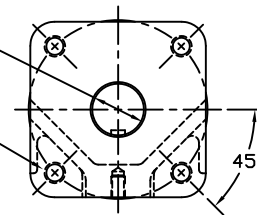
**SECTION C-C**



NAMEPLATE SIDE

2.000/1.994 DIAMETER SHAFT  
1/2 SQ. x 3.19 LONG KEYWAY  
W/ .031 RADIUS INSIDE KEYWAY CORNERS  
(TO BE USED W/ 1/2" x 3 3/16" KEY)

3/4-10 UNC TAP x 1.18 DEEP  
(4) PLACES AS SHOWN ON  
6.50 DIAMETER BOLT CIRCLE



**VIEW B-B**

ISO (F16) MOUNTING PATTERN

<b>MORIN</b> Birmingham, AL					
TITLE: MODEL C-345UC-S000 ACTUATOR					
DRAWN BY:	DATE:	CHECKER:	DATE:	APPROVAL:	DATE:
CAW	08/11/06				
SCALE:	REVISION:	DRAWING NO.:			
1 : 1.75	C				
SHEET	DWG. SIZE:				
1 of 1	E	S25B170C			

REV	CHANGE	BY	CHK	APR	DATE
C	UPDATED SECTION A-A & HOUSING COVER TO CANTED	CAW			08/04/06
B	UPDATED SECTION A-A & VIEW B-B	CAW			02/20/06