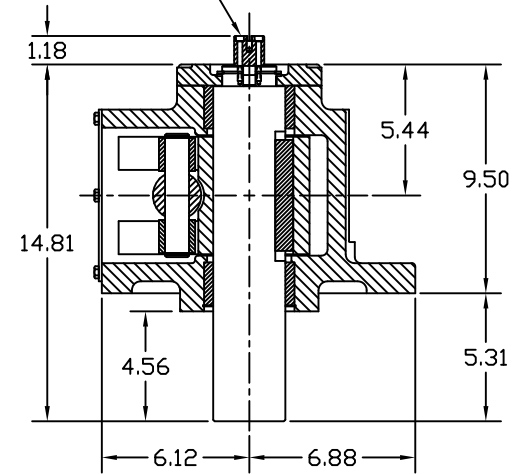
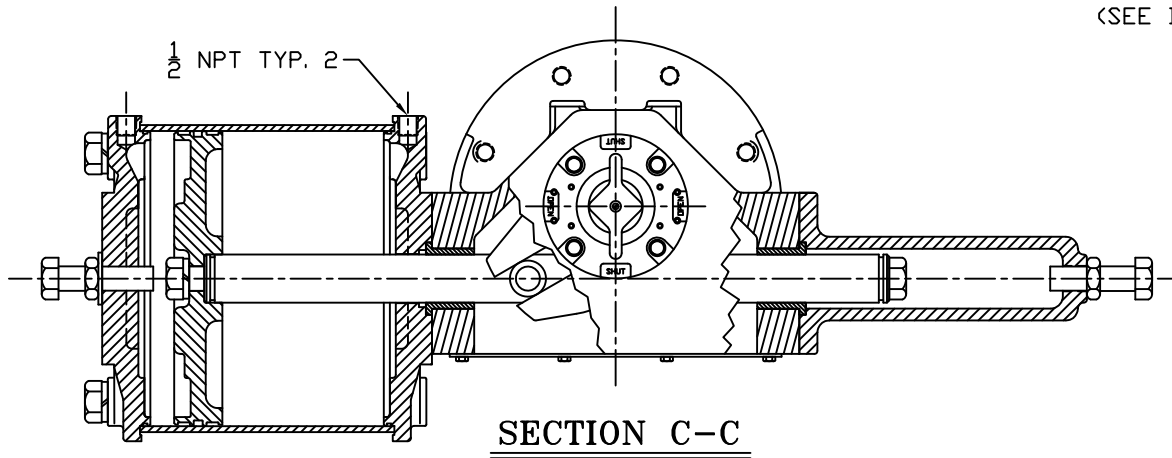
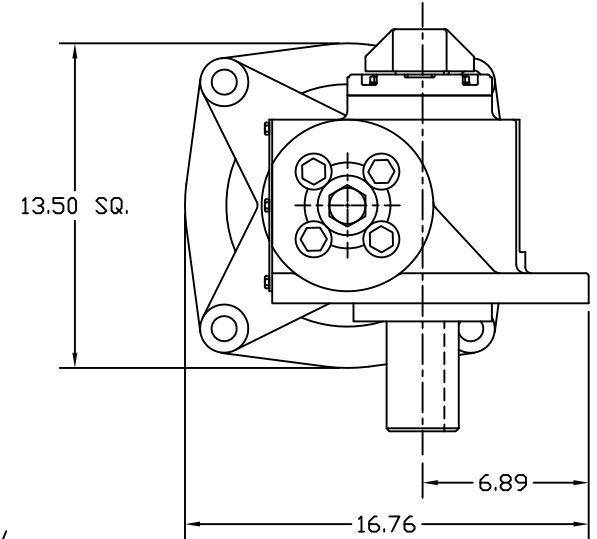
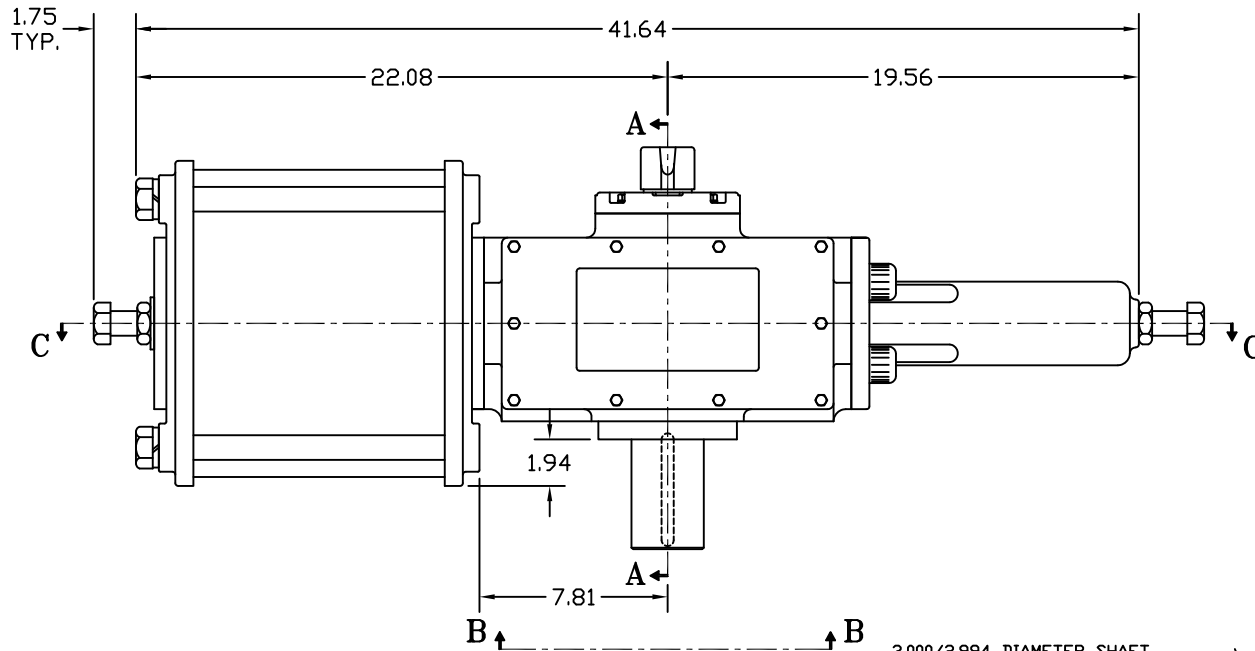


NAMUR POINTER ADAPTER  
 (SEE DWG. S01-02-01 FOR DETAILS)

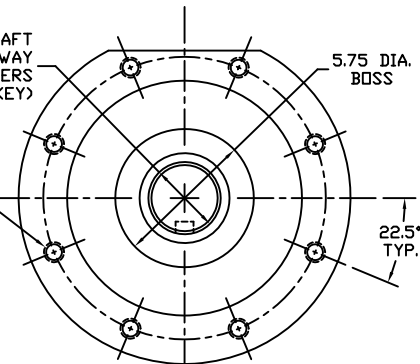


**SECTION A-A**  
 YOKE SHOWN AT MID-STROKE  
 POINTER OMITTED FOR CLARITY



3.000/2.994 DIAMETER SHAFT  
 3/4 SQ. x 3.88 LONG KEYWAY  
 W/ .031 RADIUS INSIDE KEYWAY CORNERS  
 (TO BE USED W/ 3/4" X 3 13/16" KEY)

3/4-10 UNC TAP x 1.18 DEEP  
 (8) PLACES AS SHOWN ON  
 11.73 DIAMETER BOLT CIRCLE



**View b-b**  
 ISO F30 MOUNTING PATTERN

REV	CHANGE	BY	CHK	APR	DATE
C	UPDATED VIEW B-B	CAW			05/02/13
B	UPDATED SECTION A-A & VIEW B-B	CAW			02/27/10

<b>MORIN</b> Birmingham, AL					
TITLE: MODEL C-370UC-D000 ACTUATOR					
DRAWN BY:	DATE:	CHECKER:	DATE:	APPROVAL:	DATE:
CAW	08/14/06				
SCALE:	REVISION:	DRAWING NO.:			
HALF	C	S30B555C			
SHEET	DWG. SIZE:				
1 of 1	E				