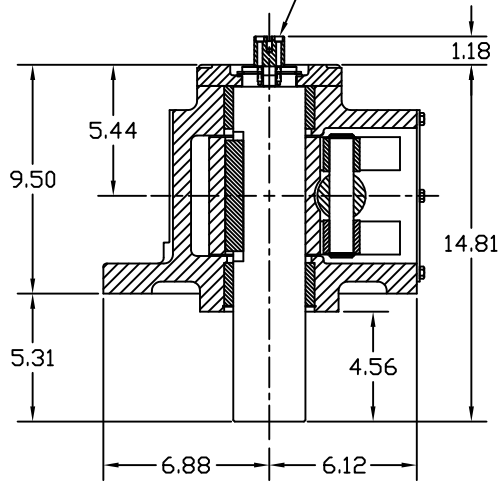
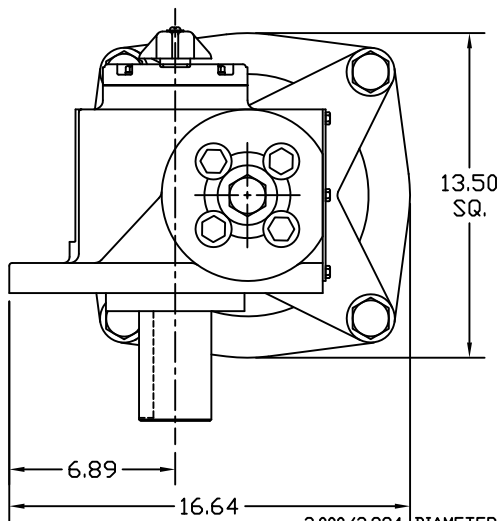


NAMUR POINTER ADAPTER
(SEE DWG. S01-02-01 FOR DETAILS)



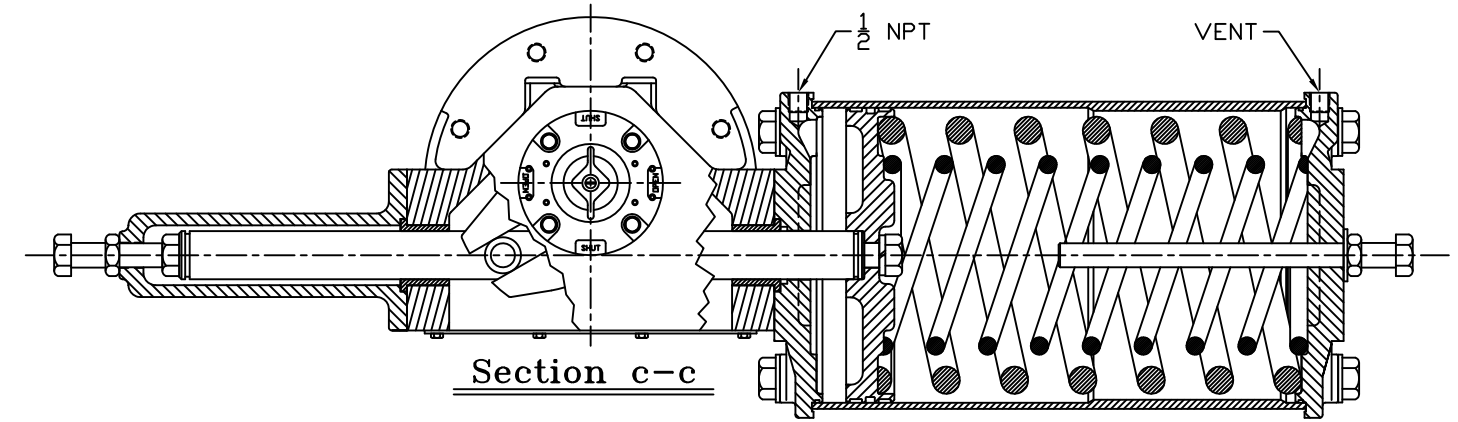
Section a-a

YOKE SHOWN AT MID-STROKE
POINTER OMITTED FOR CLARITY

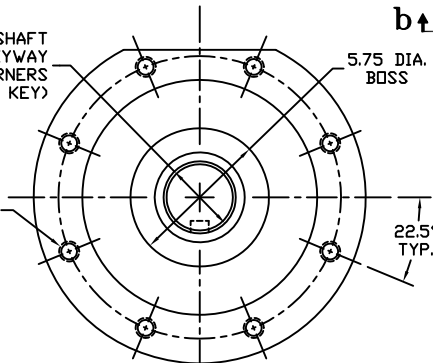
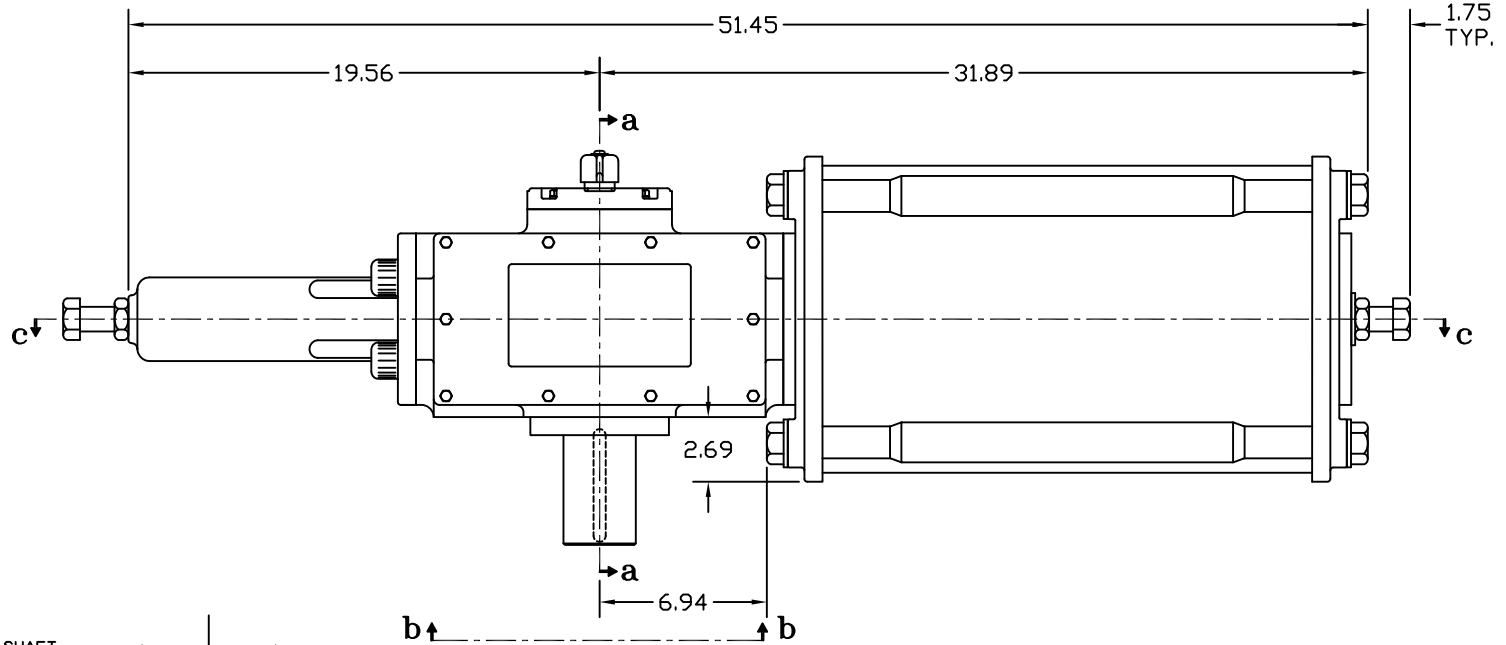


3.000/2.994 DIAMETER SHAFT
3/4 SQ. x 3.88 LONG KEYWAY
W/ .031 RADIUS INSIDE KEYWAY CORNERS
(TO BE USED W/ 3/4" x 3 13/16" KEY)

3/4-10 UNC TAP x 1.18 DEEP
(8) PLACES AS SHOWN ON
11.73 DIAMETER BOLT CIRCLE



Section c-c



VIEW B-B

ISO F30 MOUNTING PATTERN

MORIN®		Morin Actuator 110 Commerce Drive Pelham, Alabama, U.S.A. 35124 (205) 662-9533	
MODEL C-370UC-S000 ACTUATOR			
DRAWN BY:	DATE:	CHECKED:	DATE:
CAW	08/14/06		
SCALE:	REVISION:	DRAWING NO.:	
HALF	B		
SHEET	DWG. SIZE:		
1 of 1	E	S30B101B	

REV	DESCRIPTION	BY	CHK	APR	DATE
B	UPDATED SECTION A-A & VIEW B-B	CAW			
	CHANGE	BY	CHK	APR	DATE