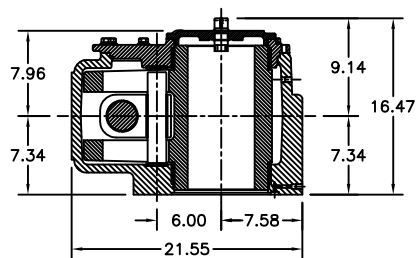
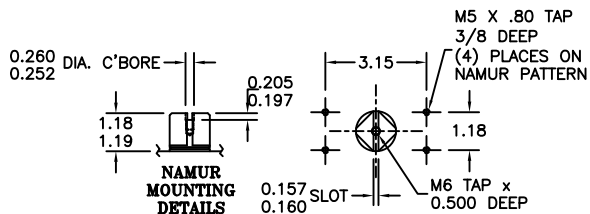
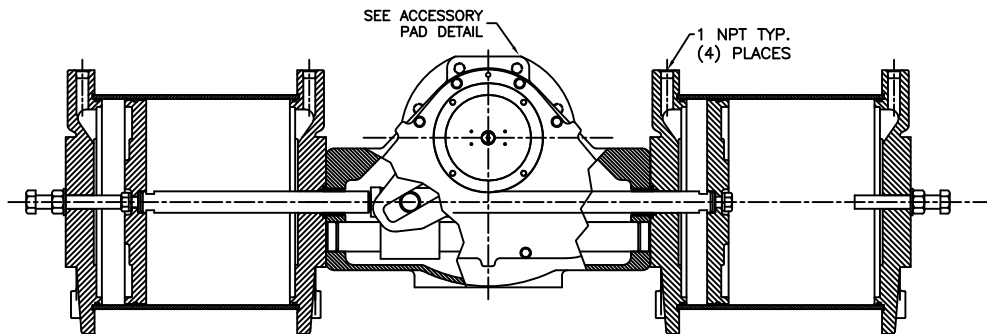


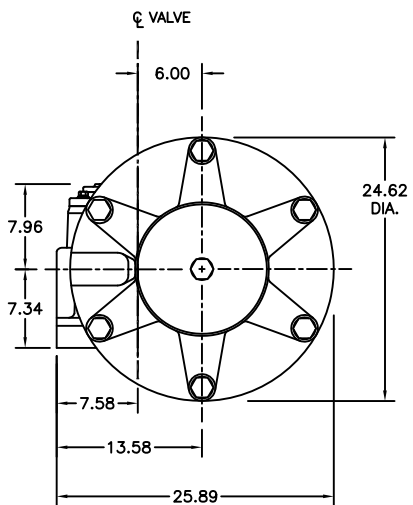
ACCESSORY PAD DETAIL
REAR VIEW



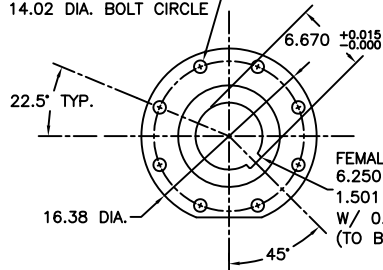
SECTION A-A
YOKE SHOWN AT MID-STROKE
ACCESSORIES OMITTED FOR CLARITY



SECTION C-C



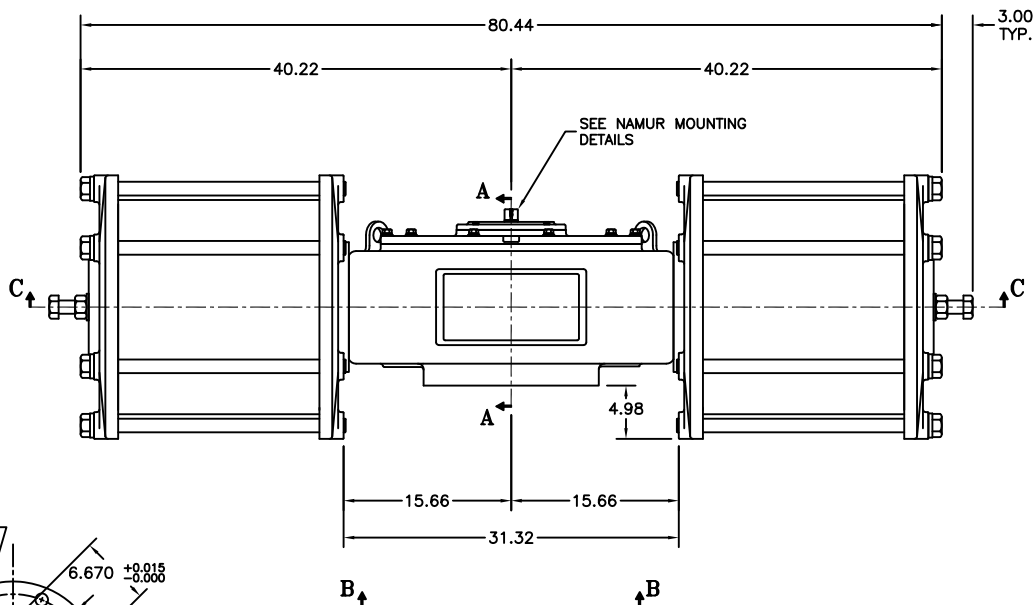
1-BUNC-2B TAP, 1 3/4 DEEP
(8) PLACES AS SHOWN ON
14.02 DIA. BOLT CIRCLE



FEMALE DRIVE
6.250 ±0.005 DIA. BORE X 12.50 DEEP
1.501 ±0.005 RECTANGULAR KEYWAY
W/ 0.12 RADIUS INSIDE KEYWAY CORNERS
(TO BE USED W/ 1 1/2" X 1" KEY)

VIEW B-B

ISO F35 MOUNTING PATTERN
SHOWN IN CLOSED POSITION



MORIN		MORIN Actuator 110 Commerce Drive Pelham, Alabama, U.S.A. 35124 (205) 862-9533	
MODEL C-3731UC-D000 ACTUATOR			
DRAWN BY:	DATE:	CHECKED:	DATE:
CAW	06/19/08		
SCALE:	REVISION:	DRAWING NO.:	
1:4.5	C		
SHEET	DWG. SIZE:		
1 OF 1	E	S60B550C	

REV	CHANGE	BY	CHK	APR	DATE
C	CORRECTED ACCES. PAD DETAIL: 1/4" VENT MIS 3/4" VENT	CAW			09/23/08
B	UPDATED VIEW B-B	CAW			09/23/08