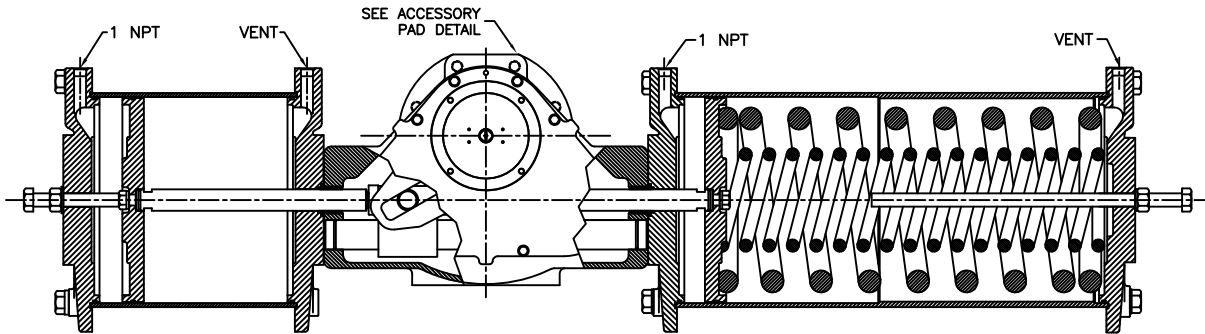
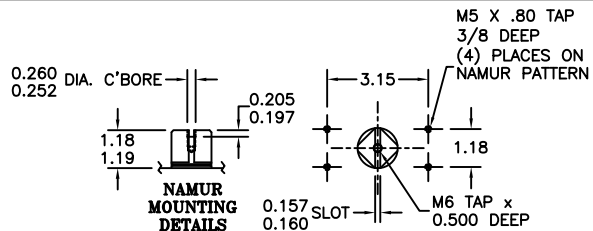
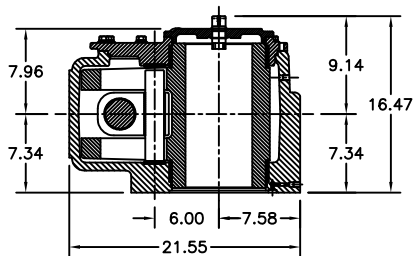


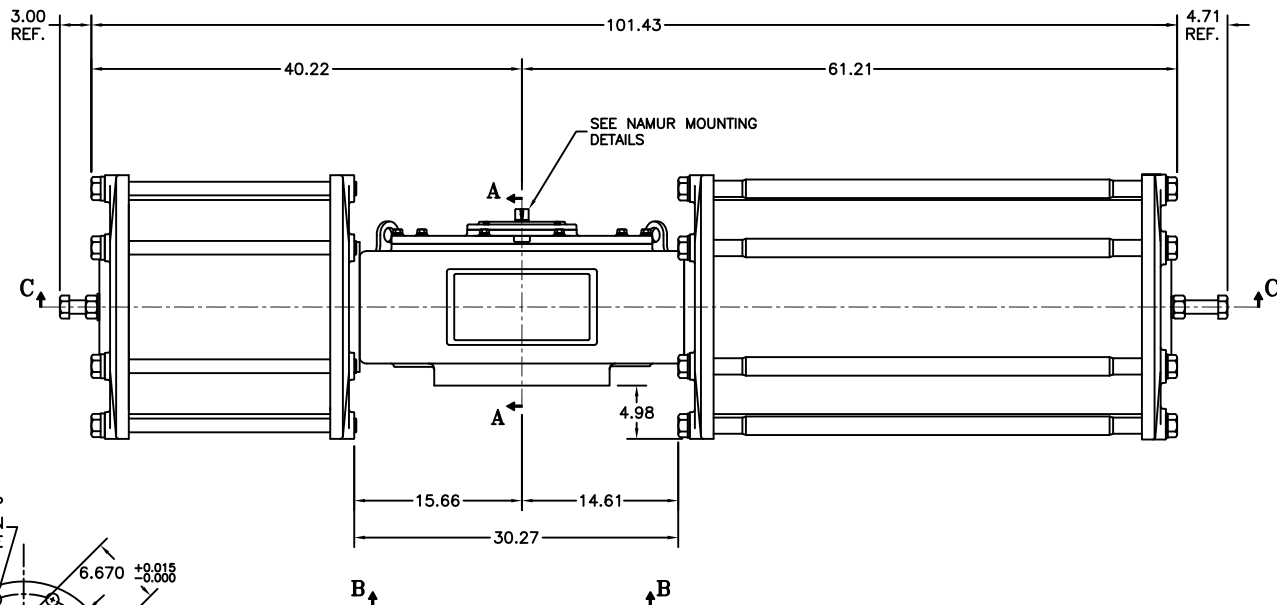
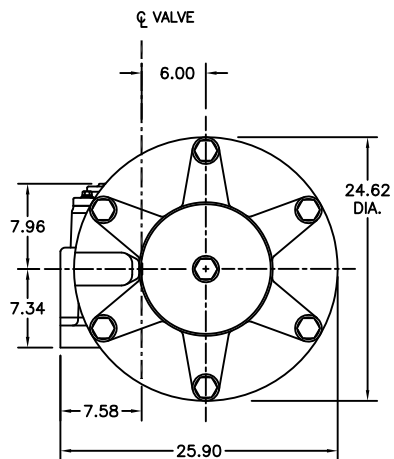
ACCESSORY PAD DETAIL
REAR VIEW



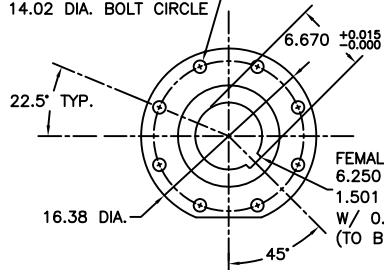
SECTION C-C



SECTION A-A
YOKE SHOWN AT MID-STROKE
ACCESSORIES OMITTED FOR CLARITY



1-8 UNC-2B TAP X 1 3/4 DEEP
(8) PLACES AS SHOWN ON
14.02 DIA. BOLT CIRCLE



FEMALE DRIVE
6.250 ±0.005 DIA. BORE X 12.50 DEEP
1.501 ±0.005 RECTANGULAR KEYWAY
W/ 0.12 RADIUS INSIDE KEYWAY CORNERS
(TO BE USED W/ 1 1/2" X 1" KEY)

VIEW B-B

ISO F35 MOUNTING PATTERN
SHOWN IN CLOSED POSITION

MORIN		Morin Actuator 110 Commerce Drive Pellham, Alabama, U.S.A. 35124 (205) 662-9533	
MODEL C-3731UC-S000 ACTUATOR			
DRAWN BY:	DATE:	CHECKED:	DATE:
CAW	07/17/08		
SCALE:	REVISION:	DRAWING NO.:	
FIT	B	S60B095B	
SHEET	DWG. SIZE:		
1 OF 1	E		

REV	DESCRIPTION	BY	CHK	APR	DATE
B	CORRECTED ACCESS. PAD DETAIL: 1/4" VENT WAS 3/4" VENT CHANGE	CAW			08/23/10