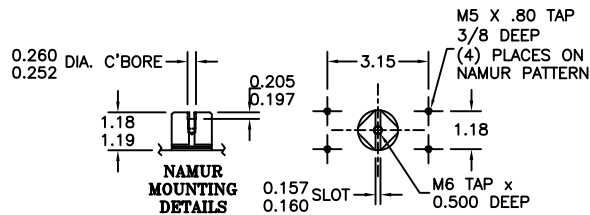
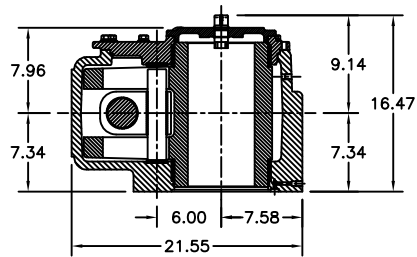


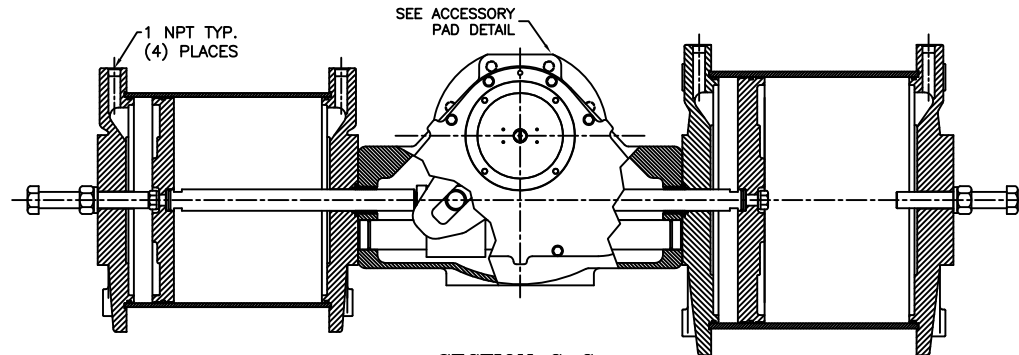
**ACCESSORY PAD DETAIL**  
REAR VIEW



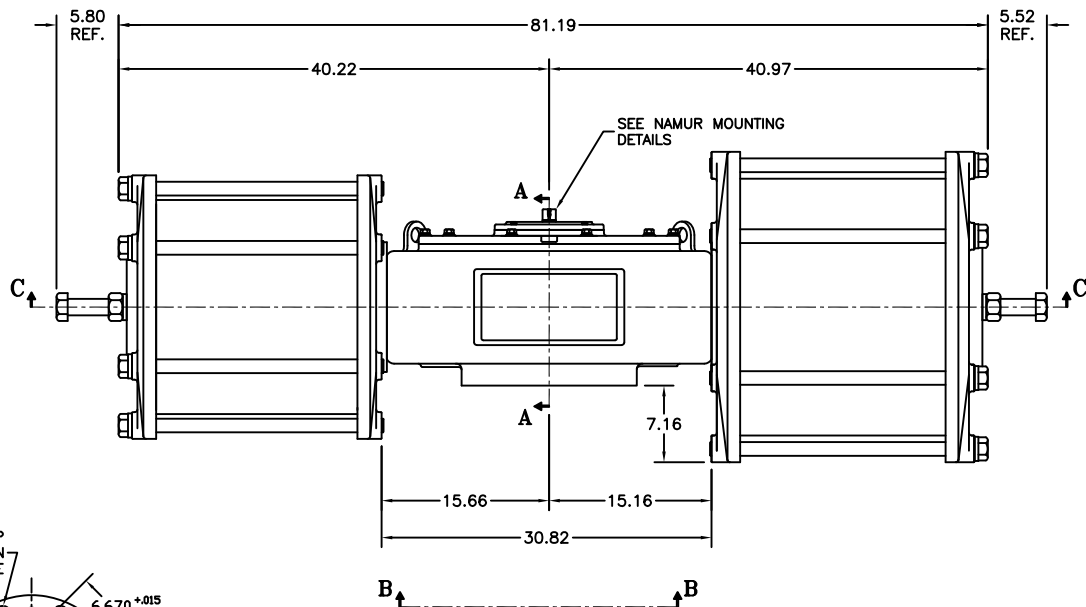
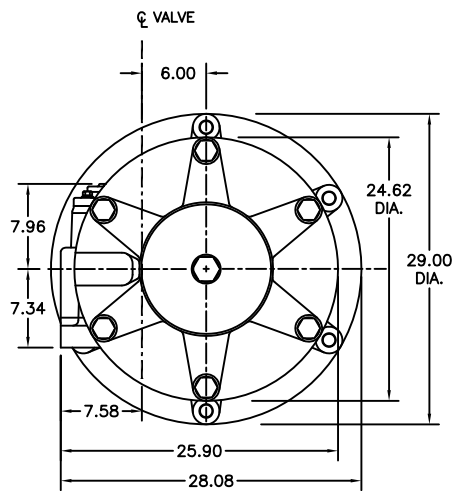
**NAMUR MOUNTING DETAILS**



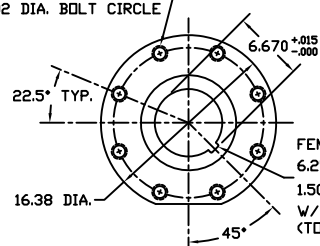
**SECTION A-A**  
YOKE SHOWN AT MID-STROKE  
ACCESSORIES OMITTED FOR CLARITY



**SECTION C-C**



1-8 UNC-2B TAP x 1 3/4 DEEP  
(8) PLACES AS SHOWN ON  
14.02 DIA. BOLT CIRCLE



**FEMALE DRIVE**  
6.250<sup>+0.005</sup>/<sub>-0.005</sub> DIA. BORE x 12.50 DEEP  
1.501<sup>+0.005</sup>/<sub>-0.005</sub> RECTANGULAR KEYWAY  
W/ 0.12 RADIUS INSIDE KEYWAY CORNERS  
(TO BE USED W/ 1 1/2" x 1" KEY)

**VIEW B-B**

ISO F35 MOUNTING PATTERN  
SHOWN IN CLOSED POSITION

D	UPDATED ADJUSTMENT SCREW SIZE AND LENGTH	CAW		03/07/11
C	CORRECTED ACCES. PAD DETAIL: 1/4" VENT WAS 3/4" VENT	CAW		08/23/10
B	UPDATED VIEW B-B	CAW		08/26/08
REV	CHANGE	BY	CHK	APR DATE

<b>MORIN</b>		Model Actuator 110 Commerce Drive Pelham, Alabama, U.S.A. 35124 (205) 863-9333	
<b>MODEL C-4534U-D000 ACTUATOR</b>			
DRAWN BY:	DATE:	CHECKED:	DATE:
CAW	06/20/08		
SCALE:	REVISION:	DRAWING NO.:	
1:4.5	D	S60B551D	
SHEET	DWG. SIZE:		
1 OF 1	E		