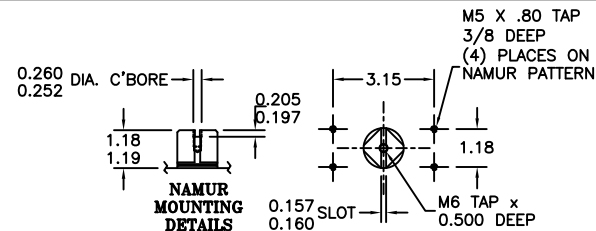
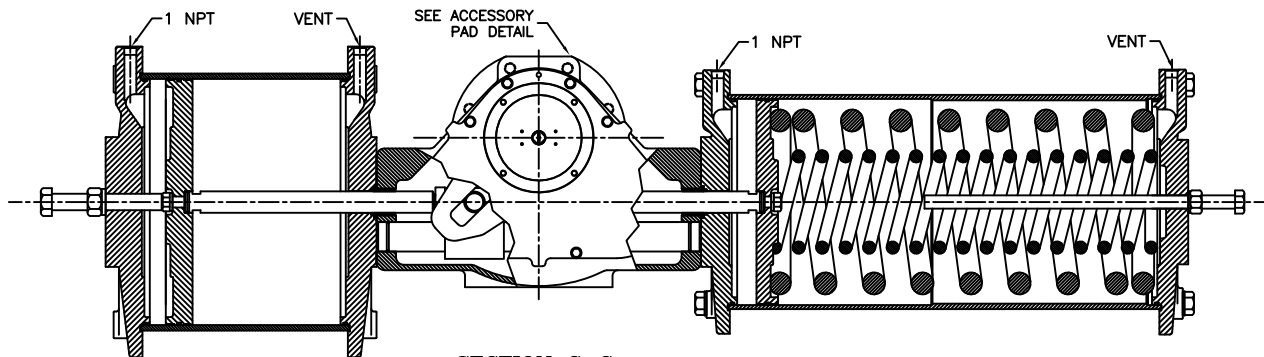


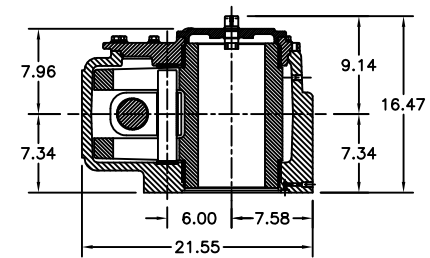
ACCESSORY PAD DETAIL
REAR VIEW



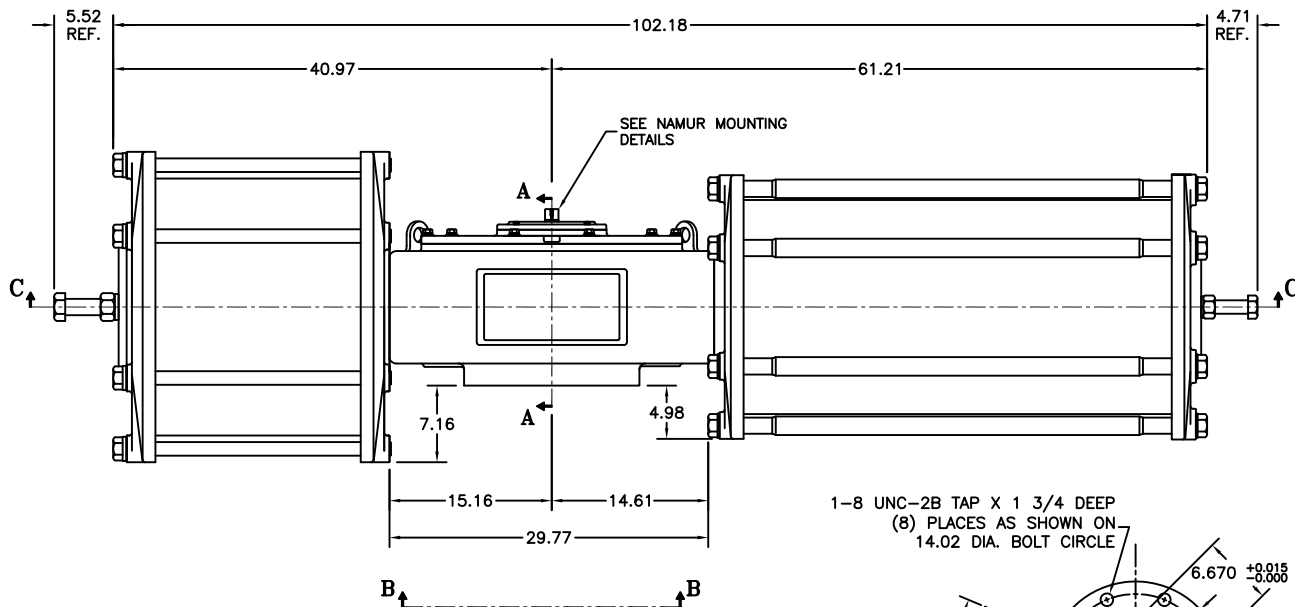
NAMUR MOUNTING DETAILS



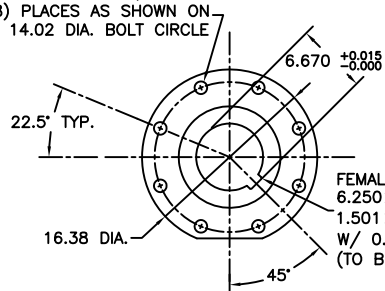
SECTION C-C



SECTION A-A
YOKE SHOWN AT MID-STROKE
ACCESSORIES OMITTED FOR CLARITY



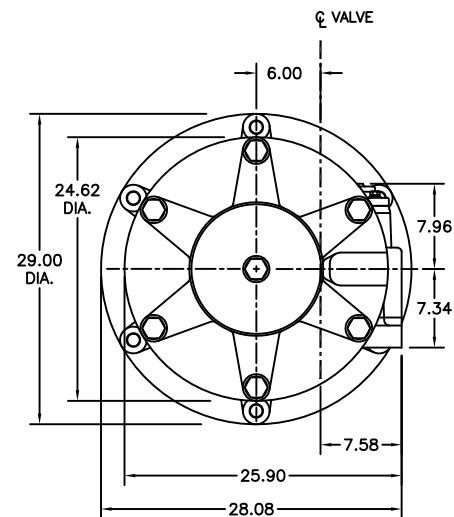
1-8 UNC-2B TAP X 1 3/4 DEEP
(8) PLACES AS SHOWN ON
14.02 DIA. BOLT CIRCLE



FEMALE DRIVE
6.250 ±0.005 DIA. BORE X 12.50 DEEP
1.501 ±0.005 RECTANGULAR KEYWAY
W/ 0.12 RADIUS INSIDE KEYWAY CORNERS
(TO BE USED W/ 1 1/2" X 1" KEY)

VIEW B-B

ISO F35 MOUNTING PATTERN
SHOWN IN CLOSED POSITION



MORIN
Morph-Actuator
110 Commerce Drive
Pelham, Alabama, U.S.A. 35124
www.morinact.com (205) 862-9333

MODEL C-4534U-S000 ACTUATOR

DRAWN BY: CAW	DATE: 07/17/08	CHECKED:	DATE:	APPROVED:	DATE:
SCALE: FIT	REVISION: B	DRAWING NO.: S60B097B			
SHEET 1 OF 1	DWG. SIZE: E				

REV	DESCRIPTION	BY	CHK	APR	DATE
B	CORRECTED ACCESS. PAD DETAIL: 1/4\" VENT WAS 3/4\" VENT	CAW			08/23/10
	CHANGE	BY	CHK	APR	DATE