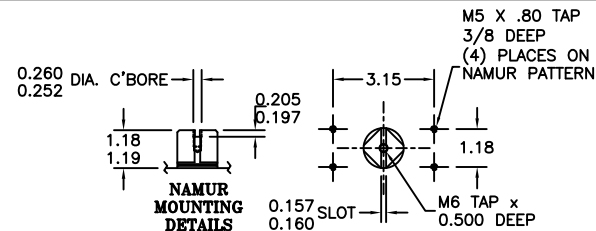
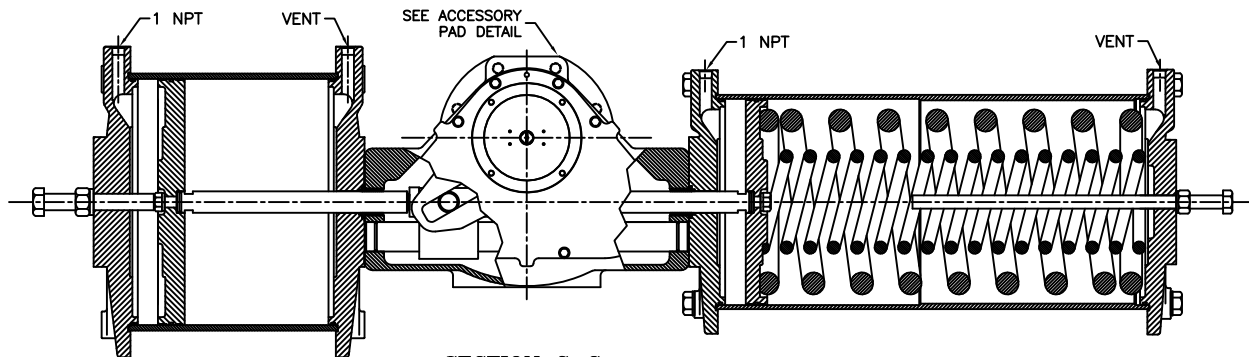


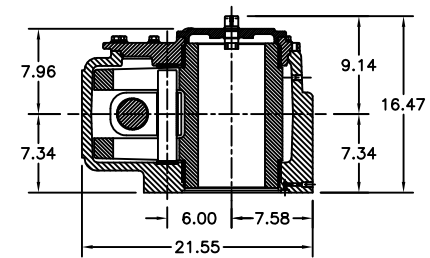
ACCESSORY PAD DETAIL
REAR VIEW



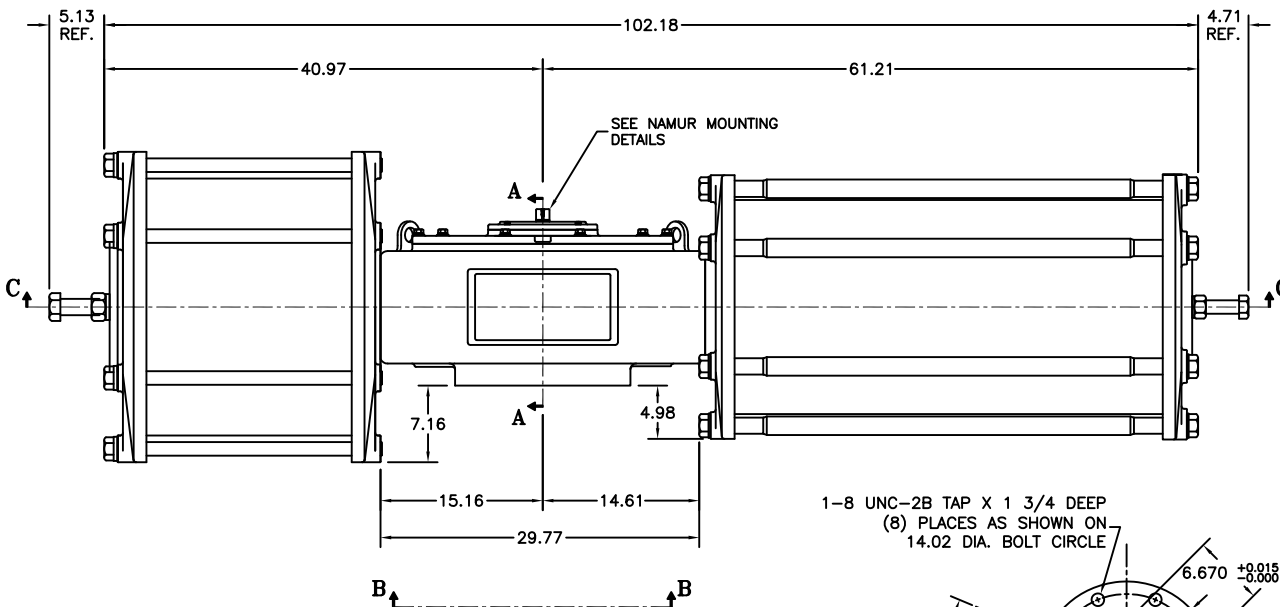
NAMUR MOUNTING DETAILS



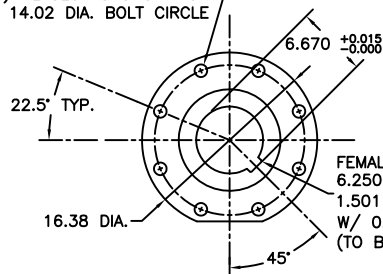
SECTION C-C



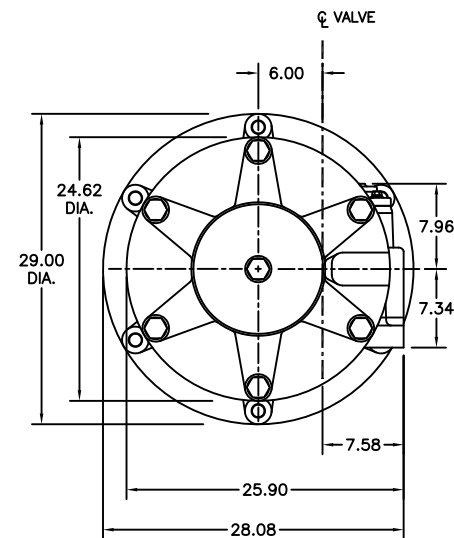
SECTION A-A
YOKE SHOWN AT MID-STROKE
ACCESSORIES OMITTED FOR CLARITY



1-8 UNC-2B TAP X 1 3/4 DEEP
(8) PLACES AS SHOWN ON
14.02 DIA. BOLT CIRCLE



VIEW B-B
ISO F35 MOUNTING PATTERN
SHOWN IN CLOSED POSITION



MORIN		Morph Actuator 110 Commerce Drive Pelham, Alabama, U.S.A. 35124 www.morinact.com	
MODEL C-4534UC-S000 ACTUATOR			
DRAWN BY:	DATE:	CHECKED:	DATE:
CAW	07/22/08		
SCALE:	REVISION:	DRAWING NO.:	
FIT	B	S60B099B	
SHEET	DWG. SIZE:		
1 of 1	E		

B	CORRECTED ACCESS. PAD DETAIL: 1/4\" VENT WAS 3/4\" VENT	CAW		08/23/10
REV	CHANGE	BY	CHK	APR DATE