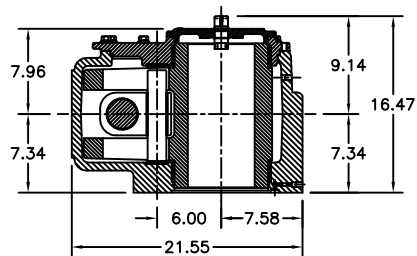
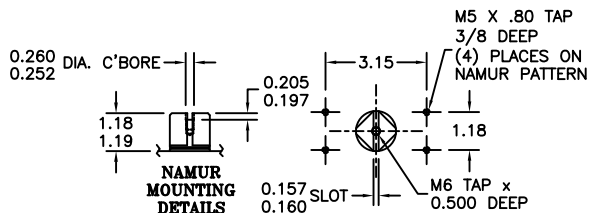
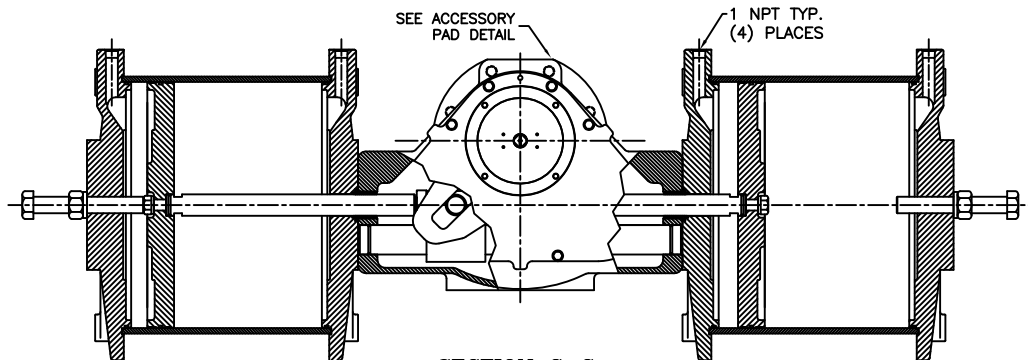


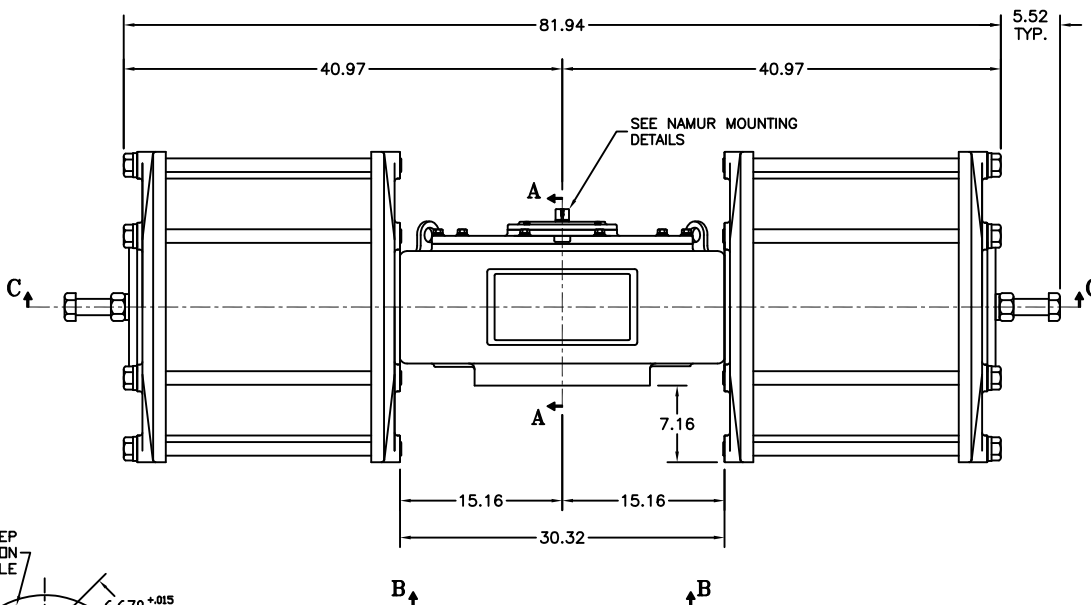
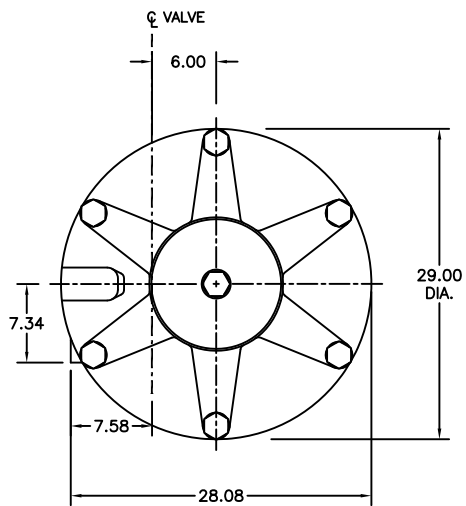
ACCESSORY PAD DETAIL
REAR VIEW



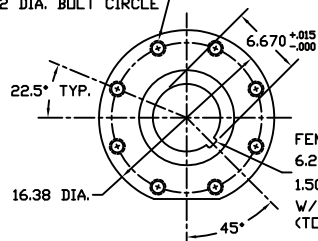
SECTION A-A
YOKE SHOWN AT MID-STROKE
ACCESSORIES OMITTED FOR CLARITY



SECTION C-C



1-8 UNC-2B TAP x 1 3/4 DEEP
(8) PLACES AS SHOWN ON
14.02 DIA. BOLT CIRCLE



VIEW B-B
ISO F35 MOUNTING PATTERN
SHOWN IN CLOSED POSITION

FEMALE DRIVE
6.250^{+0.005}/_{-0.000} DIA. BORE x 12.50 DEEP
1.501^{+0.000}/_{-0.000} RECTANGULAR KEYWAY
W/ 0.12 RADIUS INSIDE KEYWAY CORNERS
(TO BE USED W/ 1 1/2" x 1" KEY)

MORIN www.morinact.com		Morin Actuator 110 Commerce Drive Pelham, Alabama, U.S.A. 35124 (205) 862-9533	
MODEL C-5336U-D000 ACTUATOR			
DRAWN BY:	DATE:	CHECKED:	DATE:
CAW	06/20/08		
SCALE:	REVISION:	DRAWING NO.:	
1:4.5	D	S60B553D	
SHEET	DWG. SIZE:		
1 of 1	E		

D	CORRECTED ACCESS. PAD DETAIL: 1/4" VENT MIS 3/4" VENT	CAW		08/23/10
C	UPDATED VIEW B-B	CAW		08/26/08
B	LENGTHENED ADJUSTMENT SCREW/ENVELOPE DIMENSIONS	CAW		07/31/08
	ADDED THICKNESS TO ENDCAP			
REV	CHANGE	BY	CHK	APR DATE