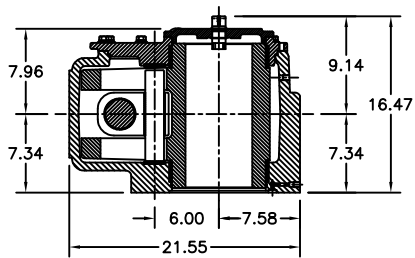
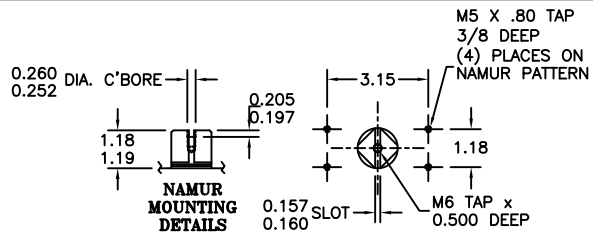
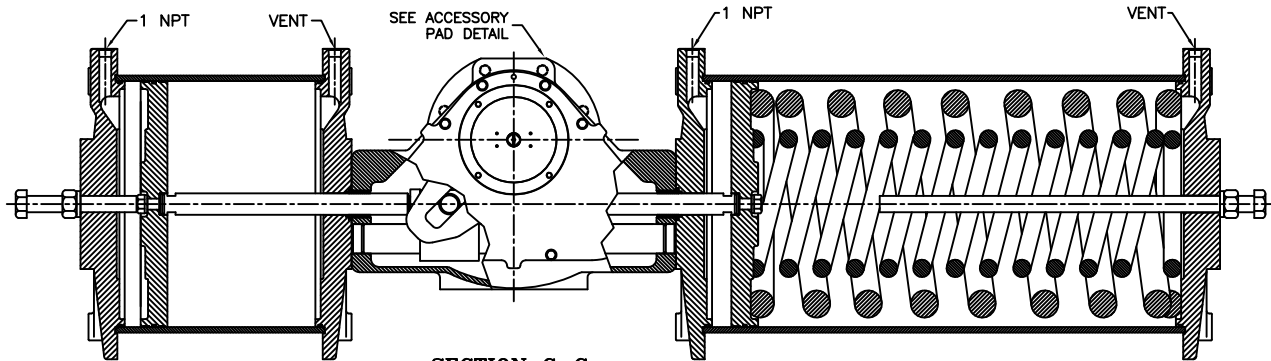


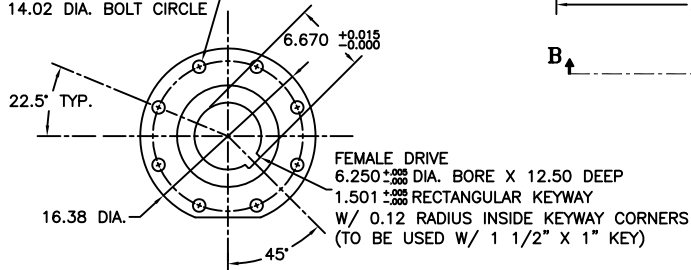
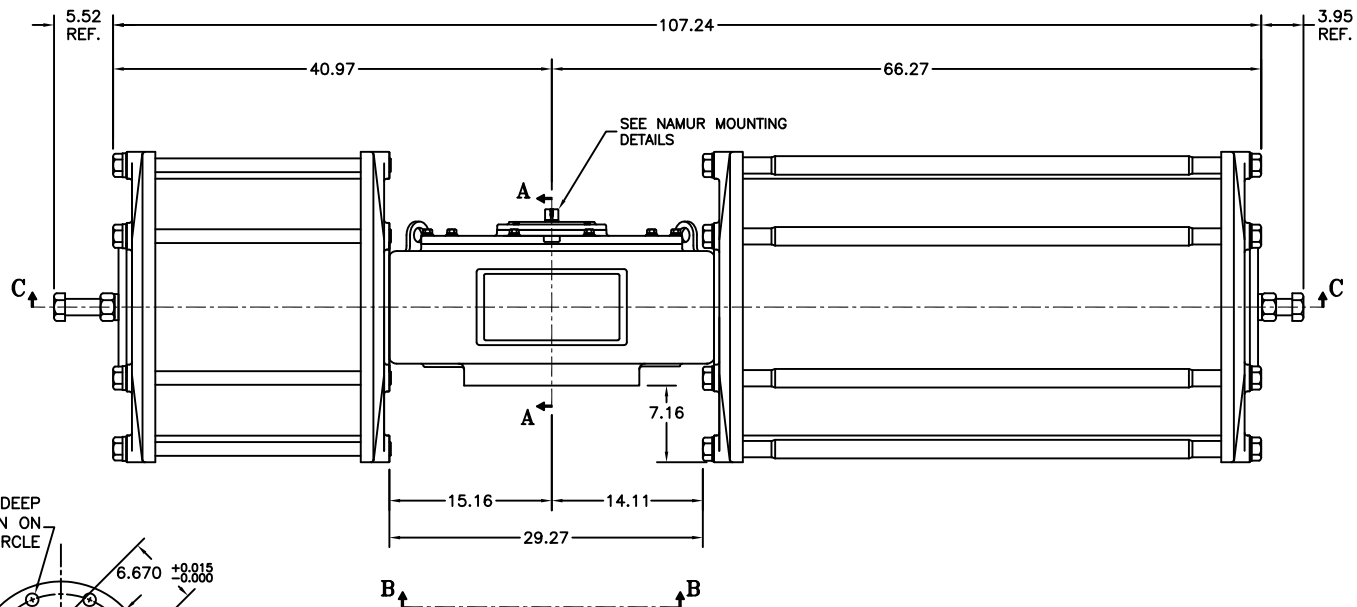
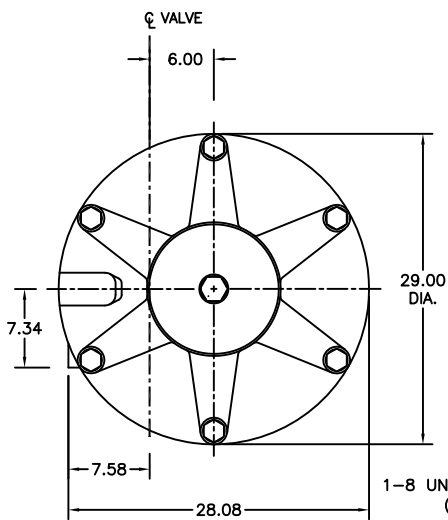
ACCESSORY PAD DETAIL
REAR VIEW



SECTION A-A
YOKE SHOWN AT MID-STROKE
ACCESSORIES OMITTED FOR CLARITY



SECTION C-C



VIEW B-B
ISO F35 MOUNTING PATTERN
SHOWN IN CLOSED POSITION

| | | | | | |
|-----|---------------------------------------|----|-----|-----|------|
| | | | | | |
| B | CORRECTED ACCESS. PAD DETAIL: 1/4\"/> | | | | |
| REV | CHANGE | BY | CHK | APR | DATE |

MORIN® Morph Actuator
110 Commerce Drive
Pellham, Alabama, U.S.A. 35124
(205) 663-9333

MODEL C-5336U-S000 ACTUATOR

| | | | | | |
|-----------|------------|--------------|-------|-----------|-------|
| DRAWN BY: | DATE: | CHECKED: | DATE: | APPROVED: | DATE: |
| CAW | 08/19/08 | | | | |
| SCALE: | REVISION: | DRAWING NO.: | | | |
| FIT | B | | | | |
| SHEET | DWG. SIZE: | | | | |
| 1 of 1 | E | | | S60B106B | |