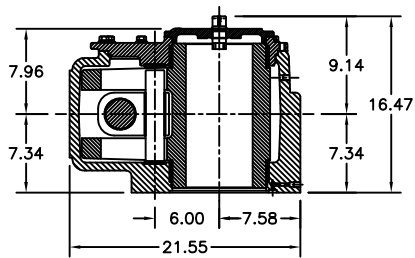
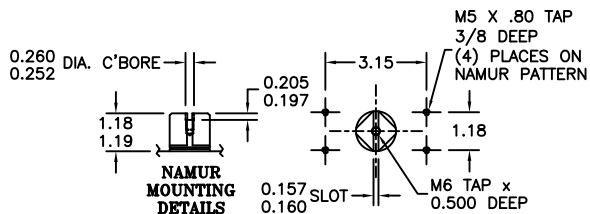
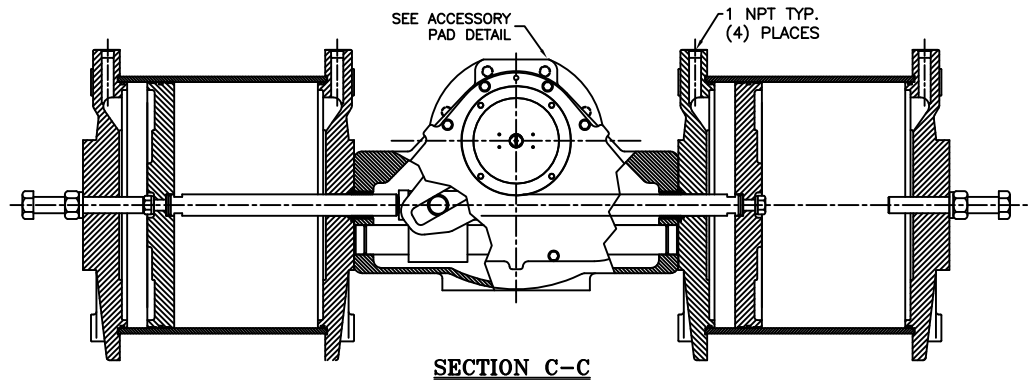


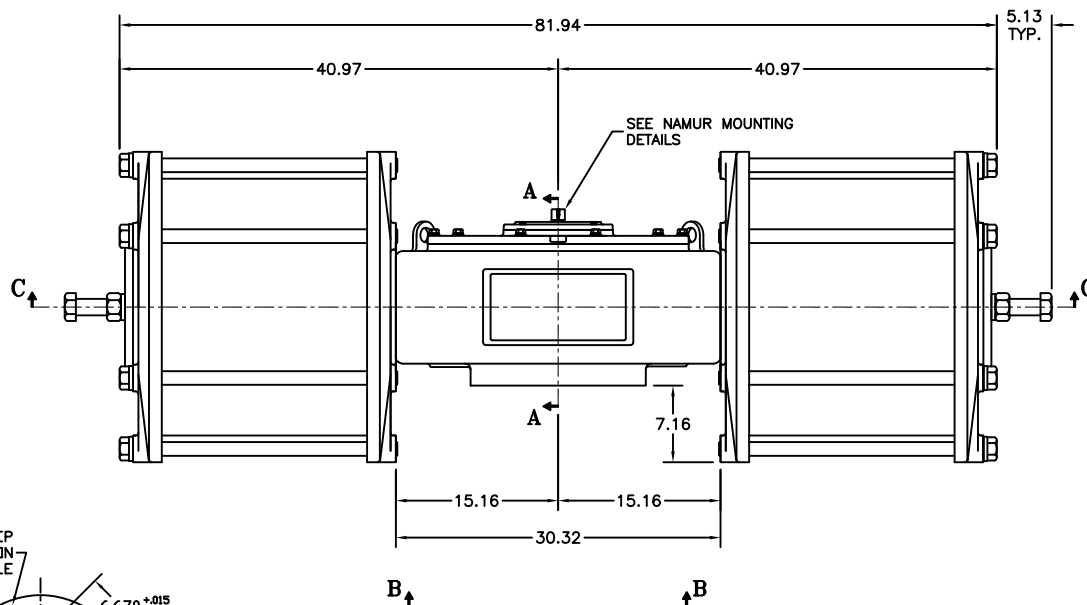
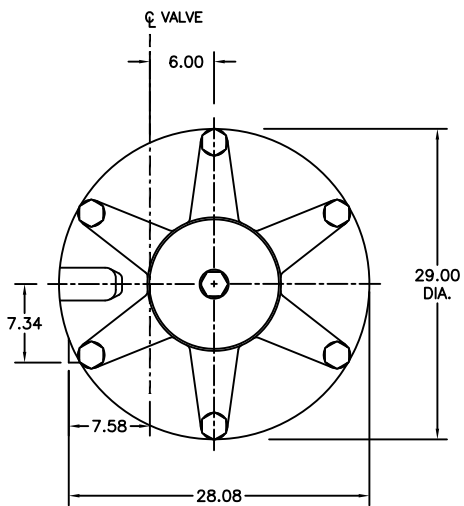
**ACCESSORY PAD DETAIL**  
REAR VIEW



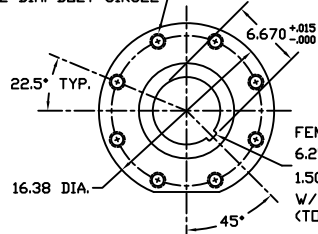
**SECTION A-A**  
YOKE SHOWN AT MID-STROKE  
ACCESSORIES OMITTED FOR CLARITY



**SECTION C-C**



1-8 UNC-2B TAP x 1 3/4 DEEP  
(8) PLACES AS SHOWN ON  
14.02 DIA. BOLT CIRCLE



**VIEW B-B**  
ISO F35 MOUNTING PATTERN  
SHOWN IN CLOSED POSITION

FEMALE DRIVE  
6.250<sup>+0.005</sup>/<sub>-0.005</sub> DIA. BORE x 12.50 DEEP  
1.501<sup>+0.005</sup>/<sub>-0.005</sub> RECTANGULAR KEYWAY  
W/ 0.12 RADIUS INSIDE KEYWAY CORNERS  
(TO BE USED W/ 1 1/2" x 1" KEY)

<b>MORIN</b>		MORIN Actuator 110 Commerce Drive Pelham, Alabama, U.S.A. 35124 (205) 862-9333	
<b>MODEL C-5336UC-D000 ACTUATOR</b>			
DRAWN BY:	DATE:	CHECKED:	DATE:
CAW	06/20/08		
SCALE:	REVISION:	DRAWING NO.:	
1:4.5	D		
SHEET	DWG. SIZE:		
1 OF 1	E	S60B554D	

D	CORRECTED ACCESS. PAD DETAIL: 1/4" VENT W/ 3/4" VENT	CAW		06/23/08
C	UPDATED VIEW B-B	CAW		06/26/08
B	LENGTHENED ADJUSTMENT SCREW/ENVELOPE DIMENSIONS	CAW		07/31/08
	ADDED THICKNESS TO ENDCAP			
REV	CHANGE	BY	CHK	APR
				DATE