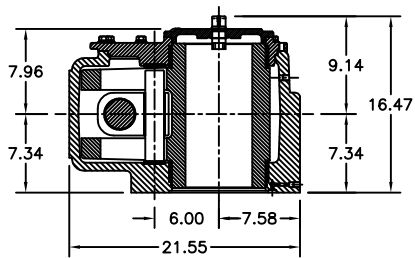
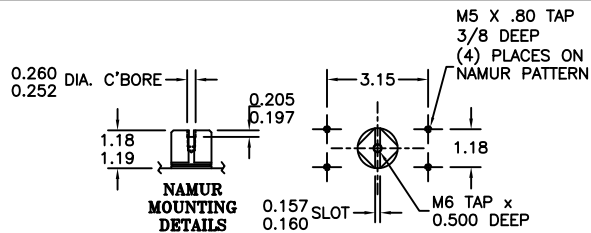
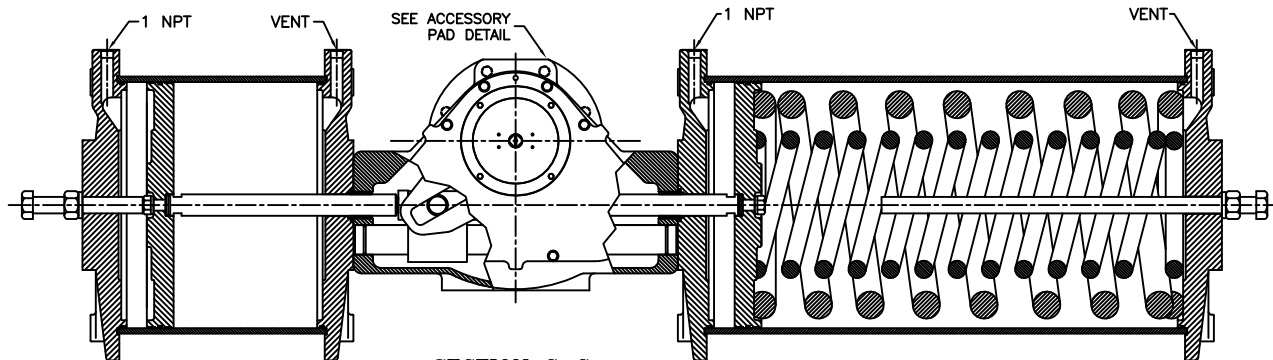


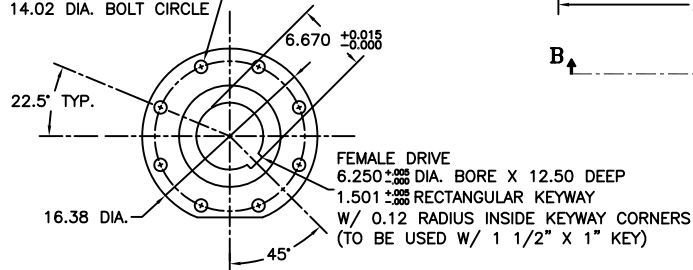
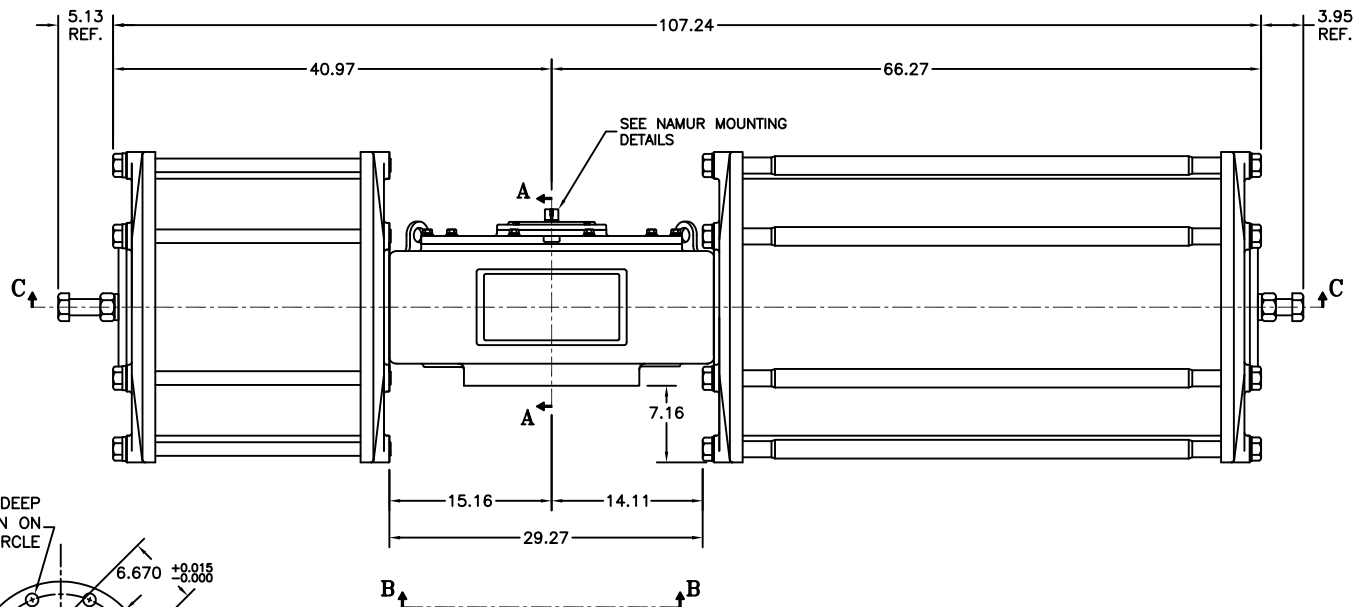
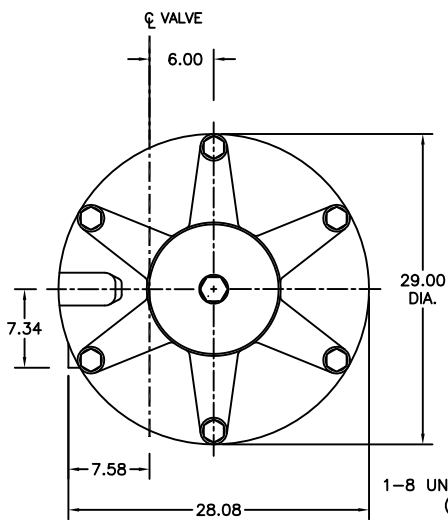
ACCESSORY PAD DETAIL
REAR VIEW



SECTION A-A
YOKE SHOWN AT MID-STROKE
ACCESSORIES OMITTED FOR CLARITY



SECTION C-C



VIEW B-B

ISO F35 MOUNTING PATTERN
SHOWN IN CLOSED POSITION

MORIN
MORIN ACTUATOR
110 Commerce Drive
Pelham, Alabama, U.S.A. 35124
(205) 663-9533

MODEL C-5336UC-S000 ACTUATOR

DRAWN BY: CAW DATE: 08/25/08 CHECKED: DATE: APPROVED: DATE:

SCALE: FIT REVISION: B DRAWING NO.: S60B108B

SHEET 1 OF 1 DWG. SIZE: E

REV	B	CORRECTED ACCESS. PAD DETAIL: 1/4\"/>
BY	CAW	08/25/08
CHK	BY	DATE