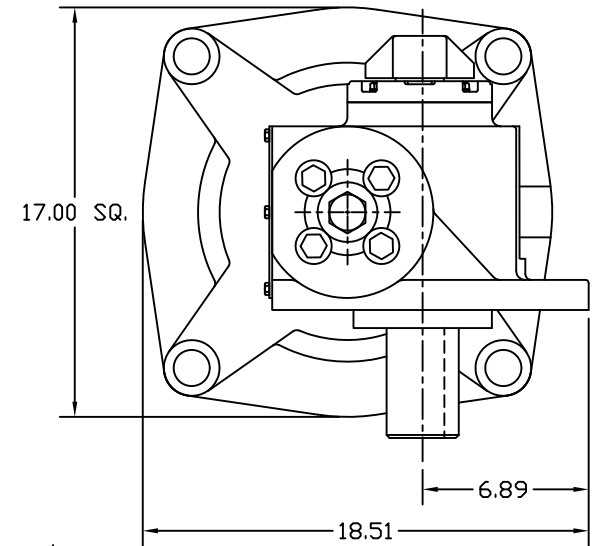
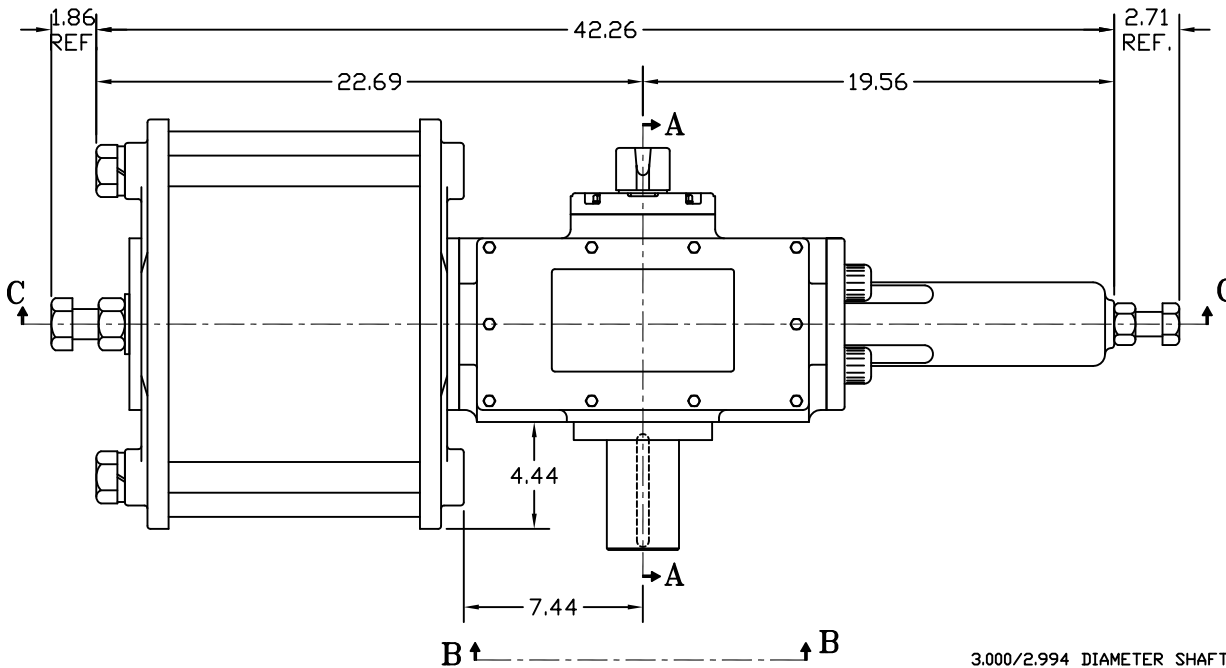


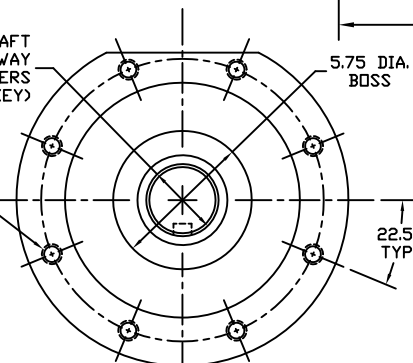
SECTION A-A

YOKE SHOWN AT MID-STROKE
POINTER OMITTED FOR CLARITY



3.000/2.994 DIAMETER SHAFT
3/4 SQ. x 3.88 LONG KEYWAY
W/ .031 RADIUS INSIDE KEYWAY CORNERS
(TO BE USED W/ 3/4" X 3 13/16" KEY)

3/4-10 UNC TAP x 1.18 DEEP
(8) PLACES AS SHOWN ON
11.73 DIAMETER BOLT CIRCLE



ISO F30 MOUNTING PATTERN

MORIN Birmingham, AL		TITLE: MODEL C-575U-D000 ACTUATOR	
DRAWN BY: (AB)	DATE: 11/14/03	CHECKER:	DATE:
SCALE: FULL	REVISION: E	DRAWING NO.:	
SHEET 1 of 1	DWG. SIZE: E	S30B525E	

REV	DESCRIPTION	BY	CHK	APR	DATE
E	UPDATED VIEW B-B	CAW			05/02/13
D	UPDATED SECTION A-A & VIEW B-B	CAW			02/27/07
C	UPDATED SECTION A-A & VIEW B-B	CAW			08/14/06
B	UPDATED CYLINDER LENGTH TO CANTED	CAW			06/27/06
	CHANGE	BY	CHK	APR	DATE