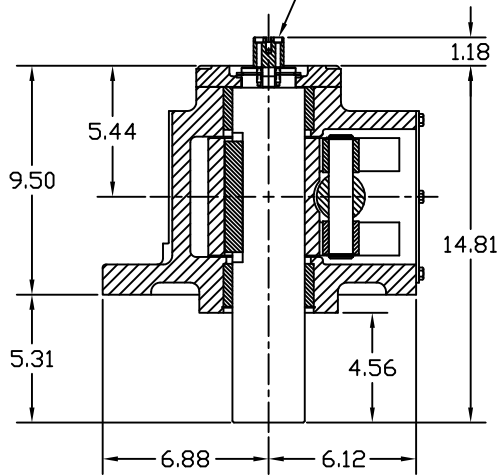
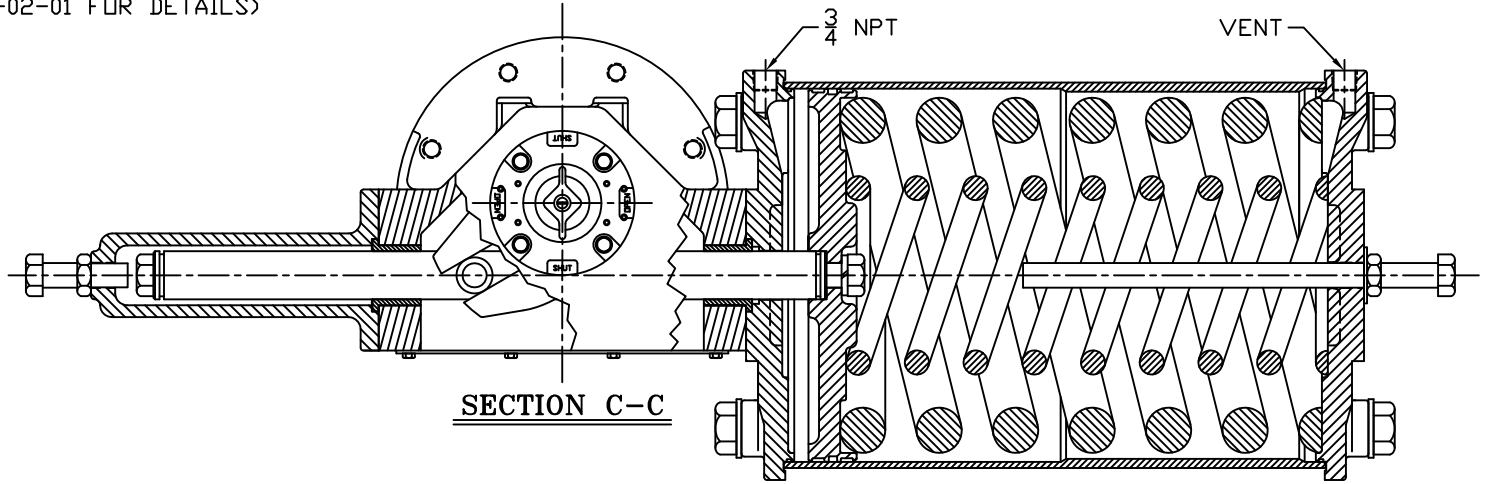


NAMUR POINTER ADAPTER
(SEE DWG. S01-02-01 FOR DETAILS)

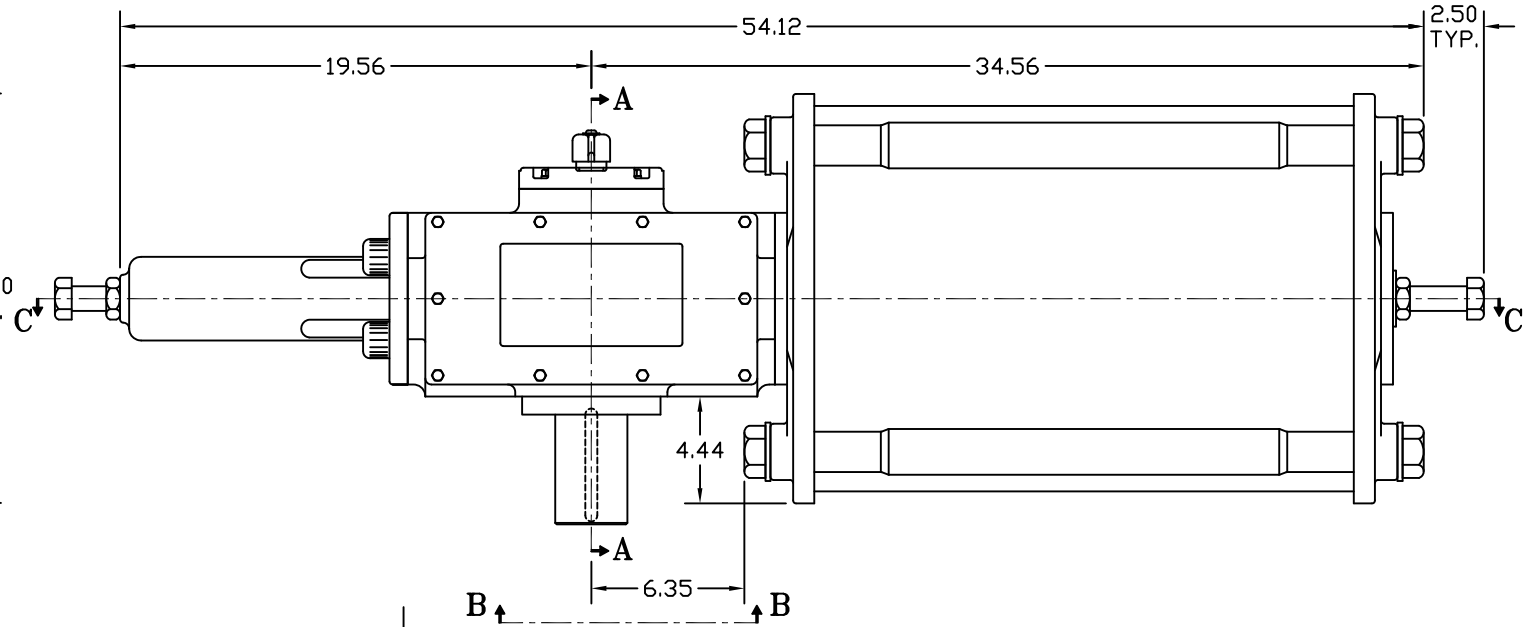
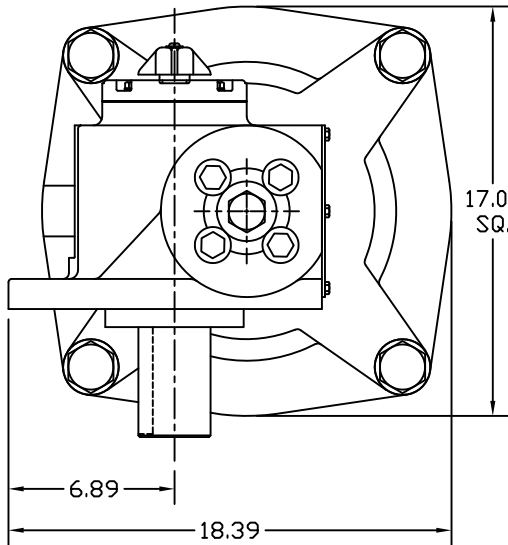


SECTION A-A

YOKE SHOWN AT MID-STROKE
POINTER OMITTED FOR CLARITY

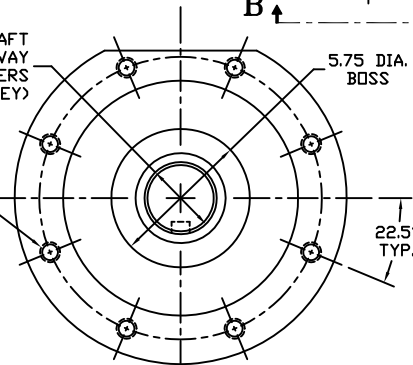


SECTION C-C



3.000/2.994 DIAMETER SHAFT
3/4 SQ. x 3.88 LONG KEYWAY
W/ .031 RADIUS INSIDE KEYWAY CORNERS
(TO BE USED W/ 3/4" x 3 13/16" KEY)

3/4-10 UNC TAP x 1.18 DEEP
(8) PLACES AS SHOWN ON
11.73 DIAMETER BOLT CIRCLE



VIEW B-B

ISO F30 MOUNTING PATTERN

REV	CHANGE	BY	CHK	APR	DATE
D	UPDATED SECTION A-A, VIEW B-B	CAW			12/21/01
C	UPDATED SECTION A-A, VIEW B-B	CAW			10/14/02
B	UPDATED SECTION A-A, VIEW B-B	BDC			12/15/04

MORIN Birmingham, AL					
TITLE: MODEL C-575UC-S000 ACTUATOR CANTED YOKE					
DRAWN BY:	DATE:	CHECKER:	DATE:	APPROVAL:	DATE:
BDC	10/9/02				
SCALE:	REVISION:	DRAWING NO.:			
HALF SHEET	D	S30B026D			
1 of 1	DWG. SIZE: E				