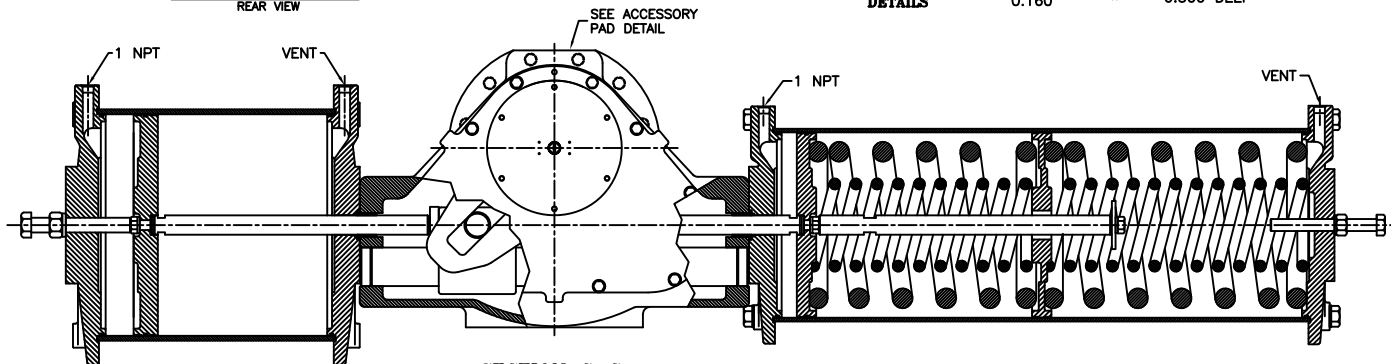
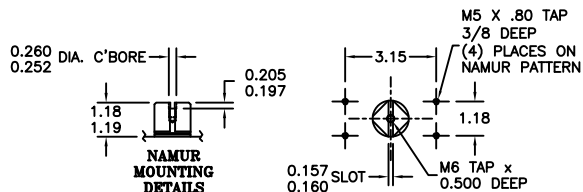
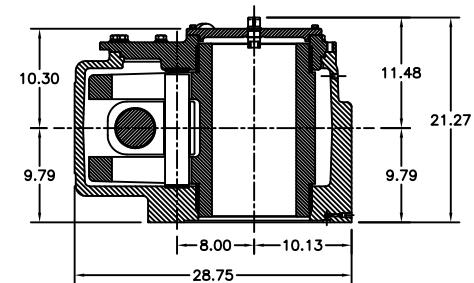


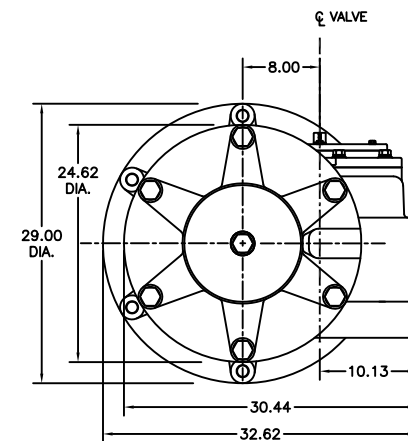
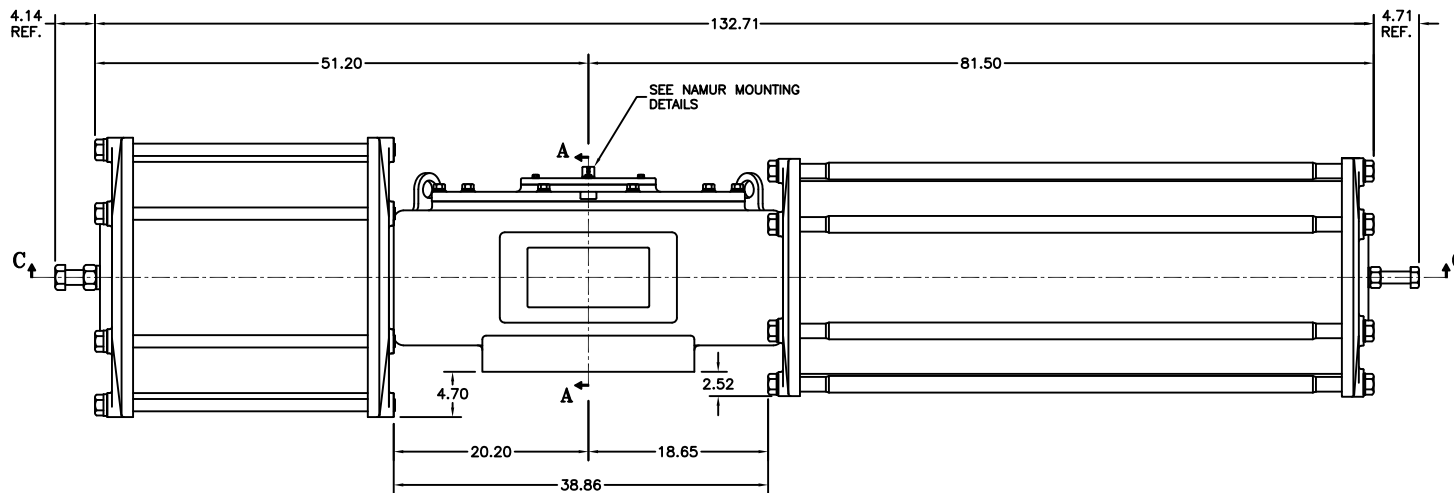
**ACCESSORY PAD DETAIL**  
REAR VIEW



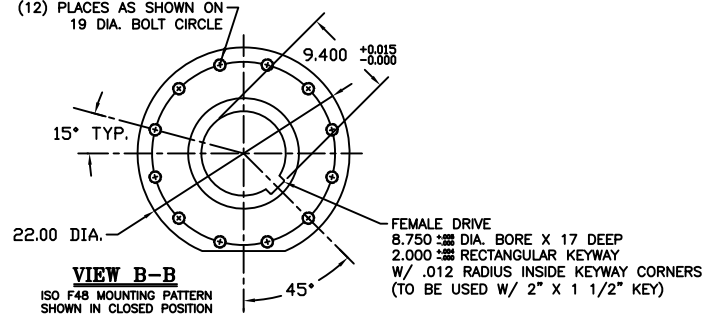
**SECTION C-C**



**SECTION A-A**  
YOKE SHOWN AT MID-STROKE  
ACCESSORIES OMITTED FOR CLARITY



1 1/4-7 UNC-2B TAP X 2 1/2 DEEP  
(12) PLACES AS SHOWN ON  
19 DIA. BOLT CIRCLE



<b>MORIN</b> www.morinact.com		Model Actuator 110 Commerce Drive Pelham, Alabama, U.S.A. 35124 (205) 662-9333	
<b>MODEL C-6044U-S000 ACTUATOR</b>			
DRAWN BY:	DATE:	CHECKED:	DATE:
CAW	11/04/08		
SCALE:	REVISION:	DRAWING NO.:	
1:5	E	S80B001E	
SHEET	DWG. SIZE:		
1 OF 1	E		

E	CORRECTED HOUSING VIEW ON ENDCAP	CAW		09/09/10
D	CORRECTED ACCESS. PAD DETAIL: 1/4\" VENT WAS 3/4\" VENT	CAW		09/23/10
C	UPDATED SPRING SIDE DESIGN / ADDED INTERNAL PARTS	CAW		08/07/09
B	CORRECTED KEY SIZE IN VIEW B-B	CAW		07/22/09
REV	CHANGE	BY	CHK	APR DATE