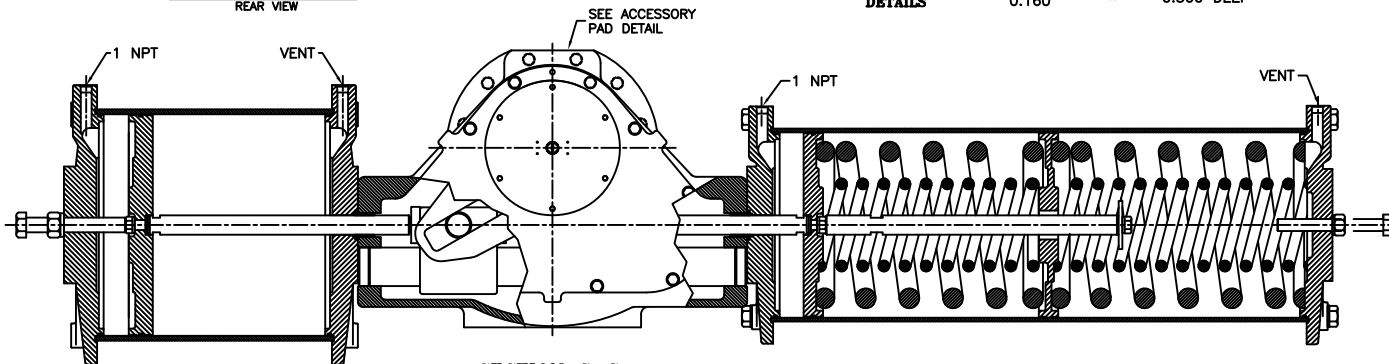
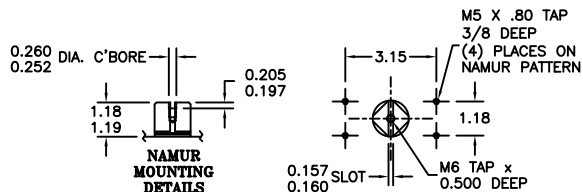
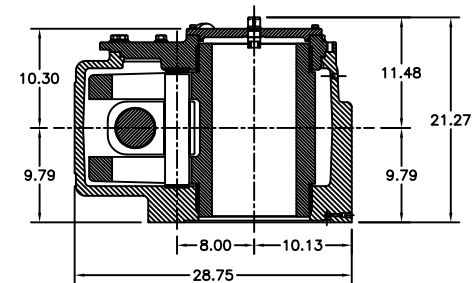


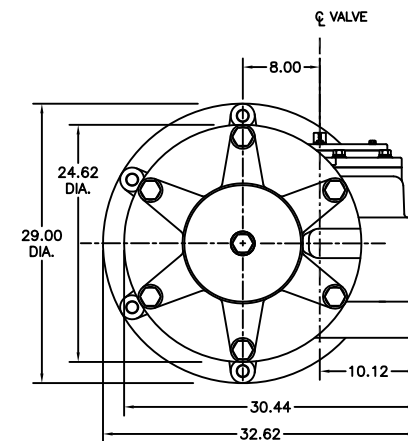
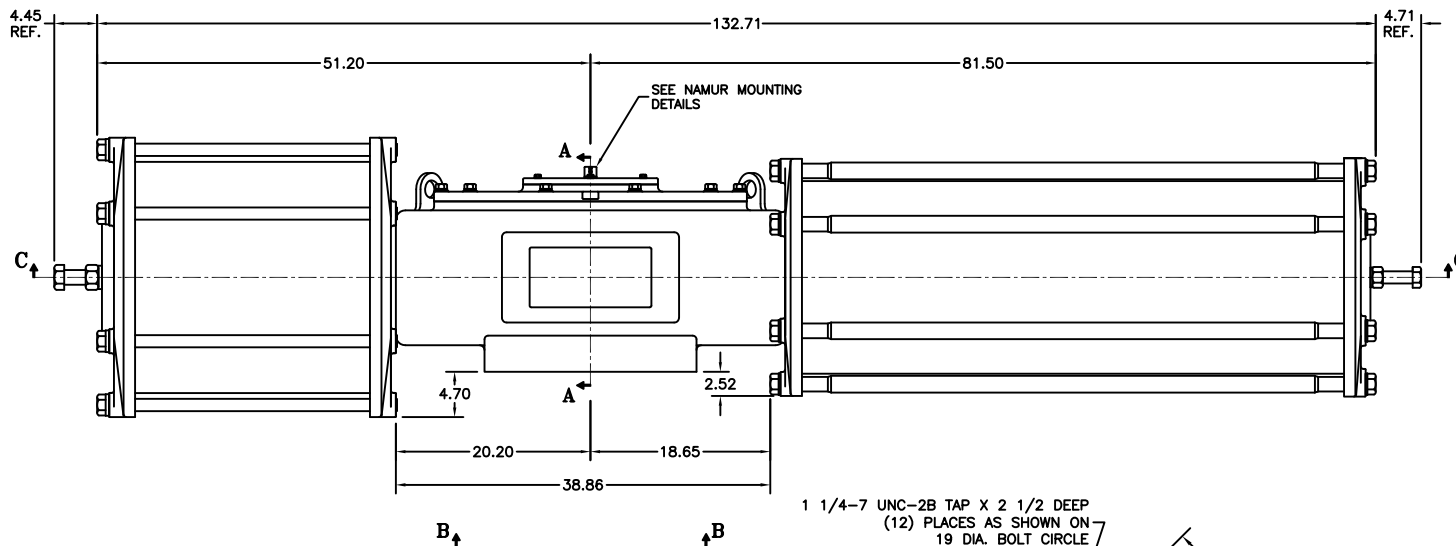
ACCESSORY PAD DETAIL
REAR VIEW



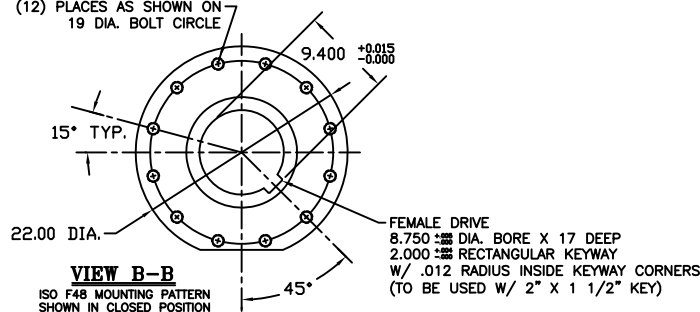
SECTION C-C



SECTION A-A
YOKE SHOWN AT MID-STROKE
ACCESSORIES OMITTED FOR CLARITY



1 1/4-7 UNC-2B TAP X 2 1/2 DEEP
(12) PLACES AS SHOWN ON
19 DIA. BOLT CIRCLE



MORIN		MORIN Actuator 110 Commerce Drive Pellham, Alabama, U.S.A. 35124 www.morinact.com		tyco forces & controls	
MODEL C-6044UC-S000 ACTUATOR					
DRAWN BY:	DATE:	CHECKED:	DATE:	APPROVED:	DATE:
CAW	11/04/08				
SCALE:	1:5	REVISION:	E	DRAWING NO.:	
SHEET	1 OF 1	DWG. SIZE:	E	S80B003E	

E	CORRECTED HOUSING VIEW ON ENDCAP	CAW			09/10/10
D	CORRECTED ACCES. PAD DETAIL: 1/4\" VENT IN S 3/4\" VENT	CAW			08/23/10
C	UPDATED SPRING SIDE DESIGN / ADDED INTERNAL PARTS	CAW			08/02/09
B	CORRECTED KEY SIZE IN VIEW B-B	CAW			07/22/08
REV	CHANGE	BY	CHK	APR	DATE