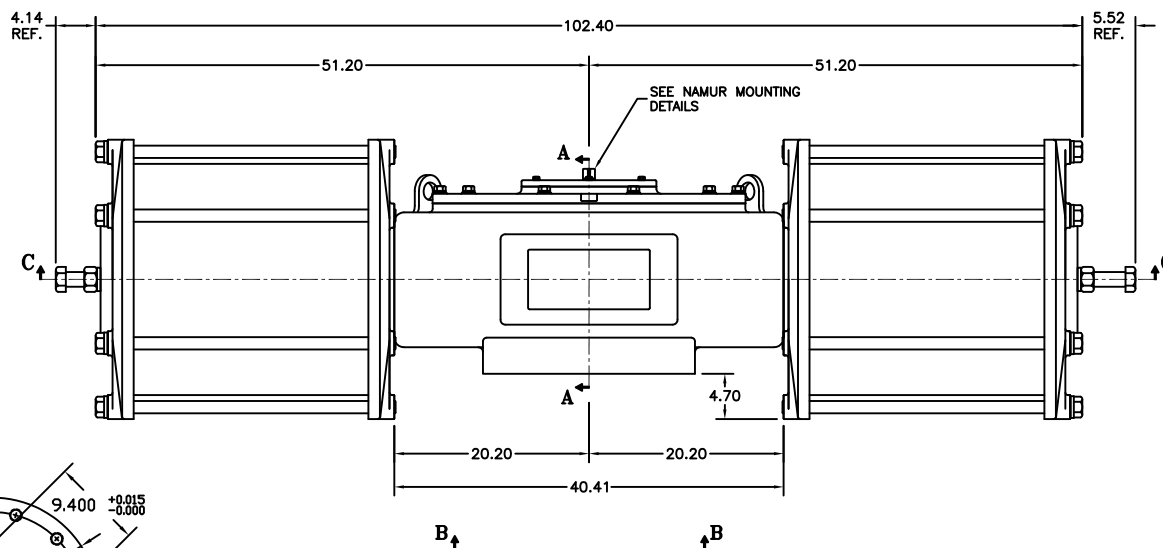
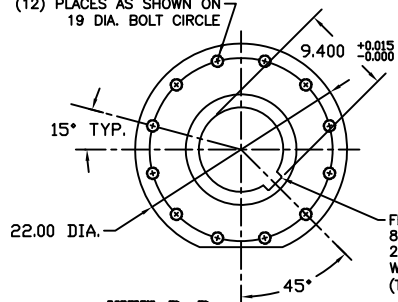


1 1/4-7 UNC-2B TAP X 2 1/2 DEEP
(12) PLACES AS SHOWN ON
19 DIA. BOLT CIRCLE



MORIN
www.morinact.com

Morin Actuator
110 Commerce Drive
Pelham, Alabama, U.S.A. 35124
(205) 862-9533

MODEL C-7114U-D000 ACTUATOR

DRAWN BY: DATE: CHECKED: DATE: APPROVED: DATE:

CAW 11/04/08

SCALE: 1:5

REVISION: D

DRAWING NO.:

SHEET 1 OF 1

DWG. SIZE: E

S80B503D

| | | | | | |
|-----|--|-----|-----|-----|----------|
| D | CORRECTED HOUSING VIEW ON ENDCAP | CAW | | | 09/09/10 |
| C | CORRECTED ACCES. PAD DETAIL: 1/4" VENT HAS 3/4" VENT | CAW | | | 07/22/08 |
| B | CORRECTED KEY SIZE IN VIEW B-B | CAW | | | 07/22/08 |
| REV | CHANGE | BY | CHK | APR | DATE |