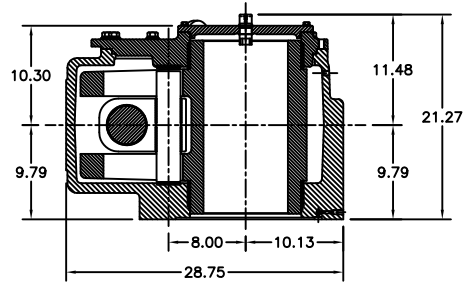
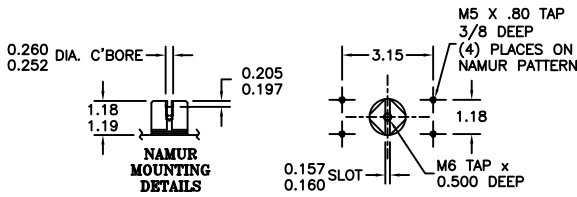
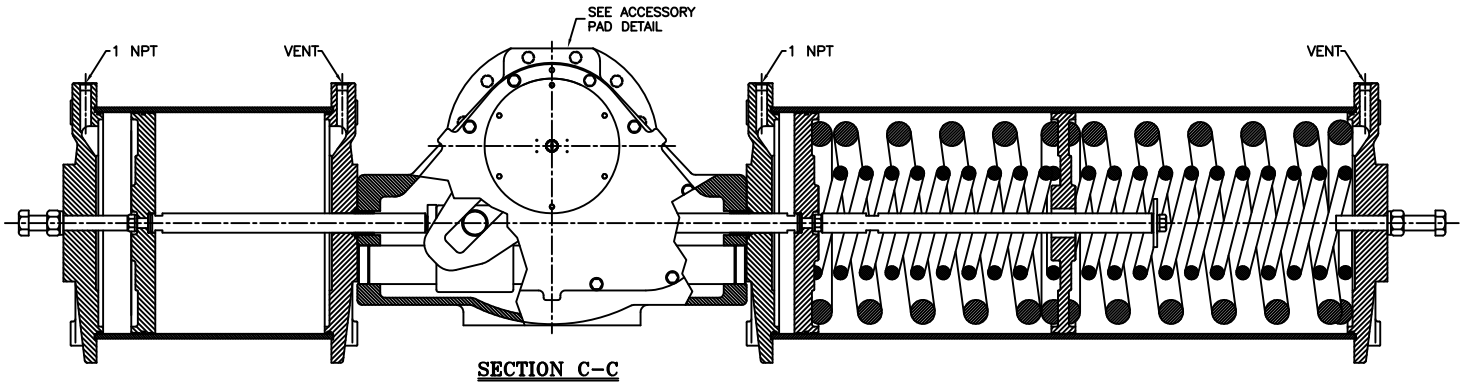


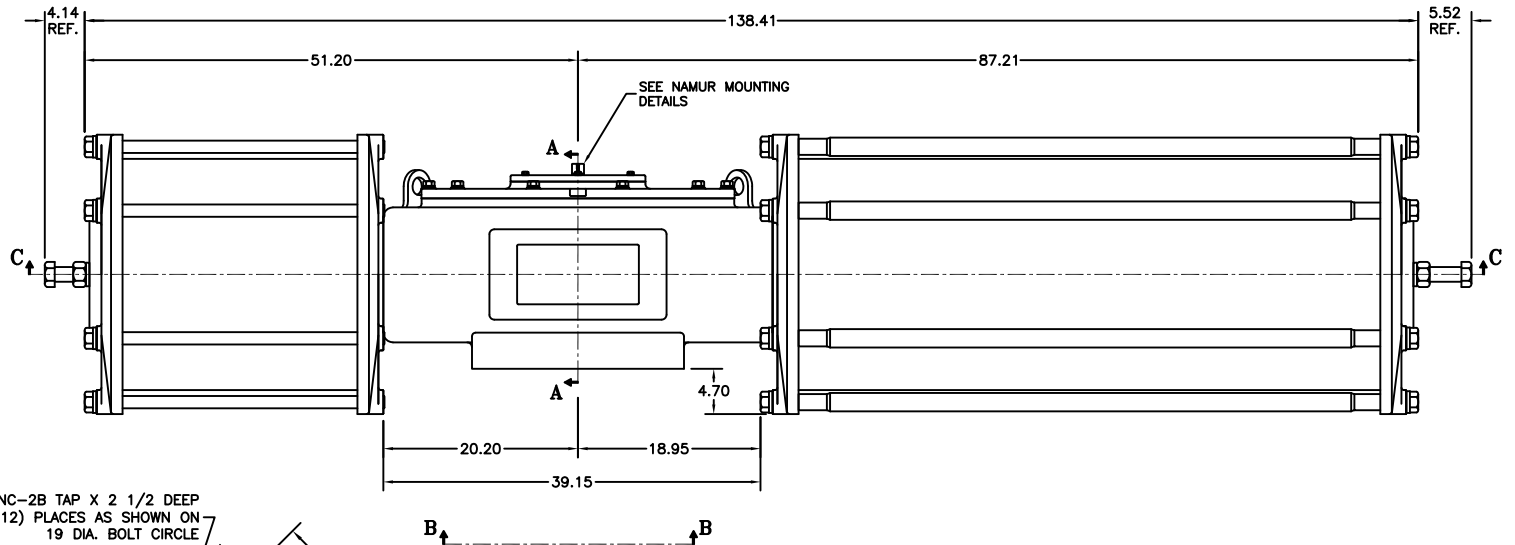
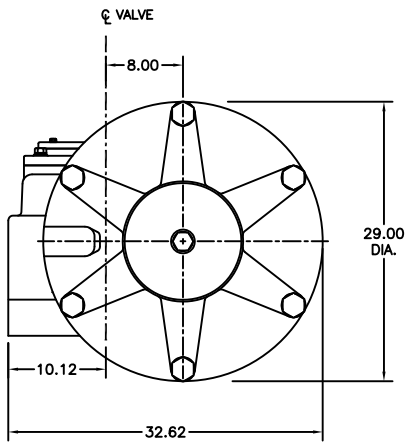
ACCESSORY PAD DETAIL
REAR VIEW



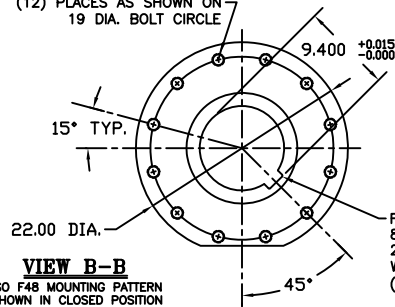
SECTION A-A
YOKE SHOWN AT MID-STROKE
ACCESSORIES OMITTED FOR CLARITY



SECTION C-C



1 1/4-7 UNC-2B TAP X 2 1/2 DEEP
(12) PLACES AS SHOWN ON
19 DIA. BOLT CIRCLE



VIEW B-B
ISO F48 MOUNTING PATTERN
SHOWN IN CLOSED POSITION

FEMALE DRIVE
8.750 DIA. BORE X 17 DEEP
2.000 RECTANGULAR KEYWAY
W/ .012 RADIUS INSIDE KEYWAY CORNERS
(TO BE USED W/ 2" X 1 1/2" KEY)

REV	DESCRIPTION	BY	CHK	APR	DATE
E	CORRECTED HOUSING VIEW ON ENDCAP	CAW			09/10/10
D	CORRECTED ACCES. PAD DETAIL: 1/4" VENT WAS 3/4" VENT	CAW			09/23/10
C	CORRECTED KEY SIZE IN VIEW B-B	CAW			07/22/09
B	UPDATED SPRING SIDE DESIGN / ADDED INTERNAL PARTS	CAW			04/14/08
	CHANGE	BY	CHK	APR	DATE

MORIN
www.morinact.com

Morin Actuator
110 Commerce Drive
Pelham, Alabama, U.S.A. 35124
(205) 662-9533

MODEL C-7114U-S000 ACTUATOR

DRAWN BY:	DATE:	CHECKED:	DATE:	APPROVED:	DATE:
CAW	11/10/08				
SCALE:	1:5	REVISION:	E	DRAWING NO.:	S80B009E
SHEET	1 OF 1	DWG. SIZE:	E		