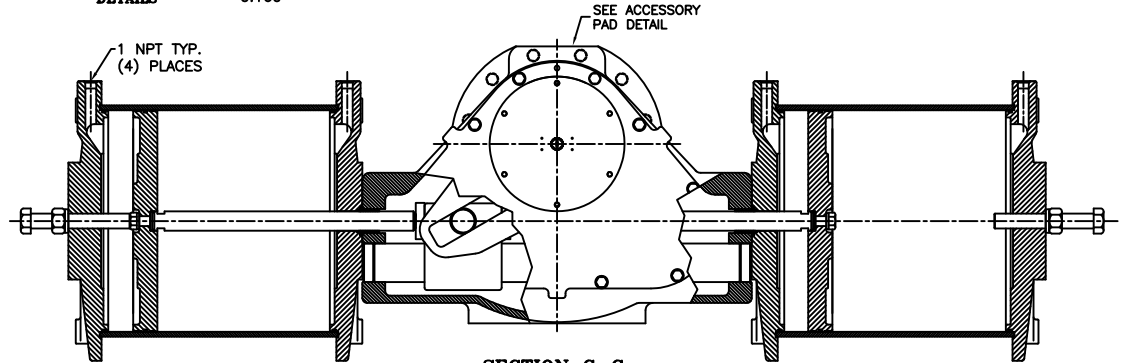
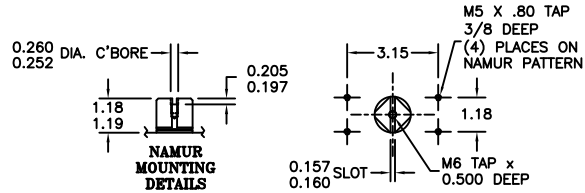
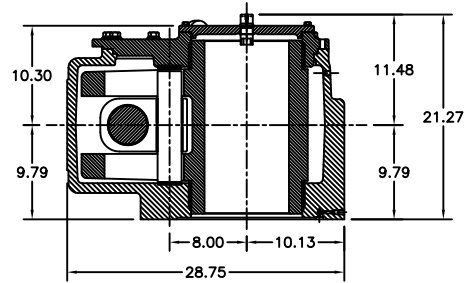


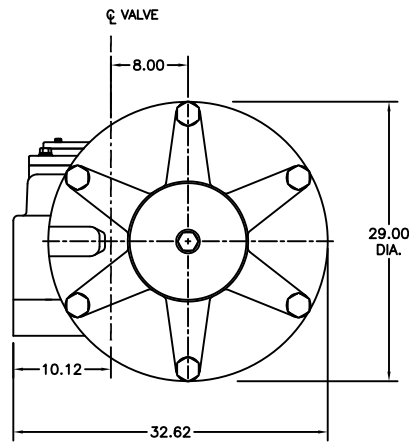
ACCESSORY PAD DETAIL
REAR VIEW



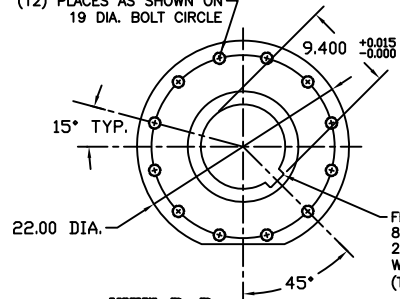
SECTION C-C



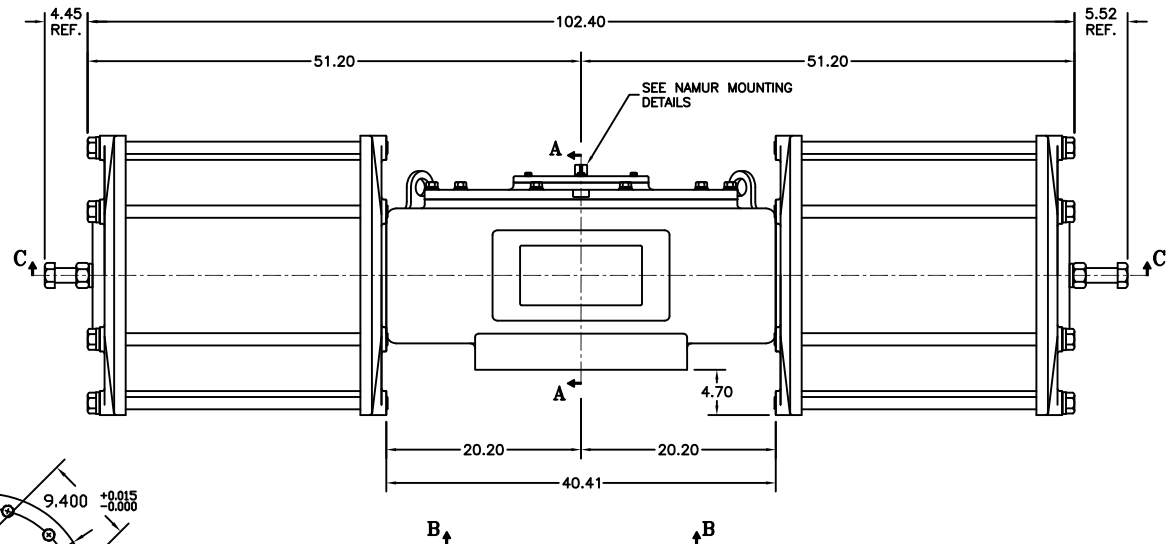
SECTION A-A
YOKE SHOWN AT MID-STROKE
ACCESSORIES OMITTED FOR CLARITY



1 1/4-7 UNC-2B TAP X 2 1/2 DEEP
(12) PLACES AS SHOWN ON
19 DIA. BOLT CIRCLE



VIEW B-B
ISO F48 MOUNTING PATTERN
SHOWN IN CLOSED POSITION



MORIN
MORIN ACTUATOR
110 Commerce Drive
Pelham, Alabama, U.S.A. 35124
(205) 862-9533
www.morinact.com

MODEL C-7114UC-D000 ACTUATOR

DRAWN BY:	DATE:	CHECKED:	DATE:	APPROVED:	DATE:
CAW	11/04/08				
SCALE:	1:5	REVISION:	D	DRAWING NO.:	
SHEET	1 OF 1	DWG. SIZE:	E	S80B504D	

D	CORRECTED HOUSING VIEW ON ENDCAP	CAW			09/10/10
C	CORRECTED ACCES. PAD DETAIL: 1/4" VENT HAS 3/4" VENT	CAW			08/23/10
B	CORRECTED KEY SIZE IN VIEW B-B	CAW			07/22/08
REV	CHANGE	BY	CHK	APR	DATE