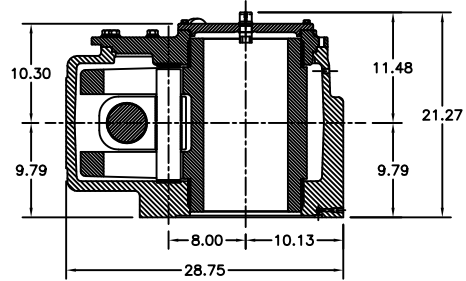
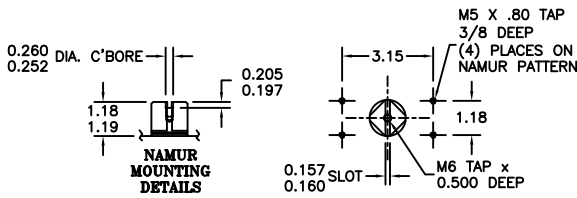
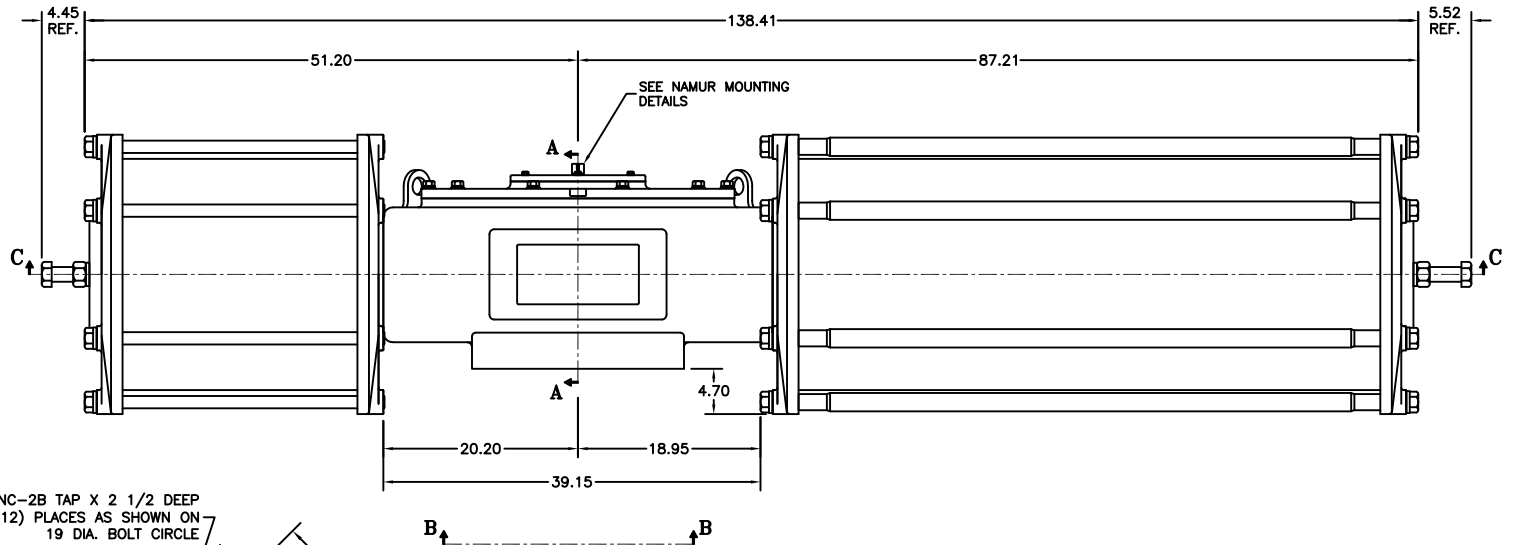
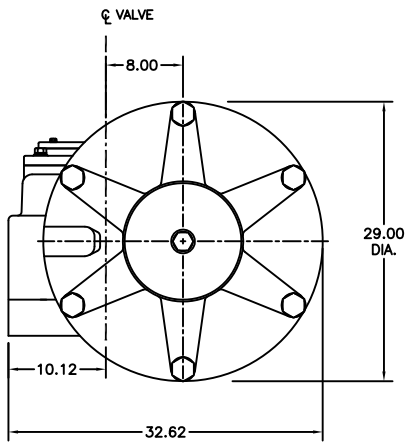
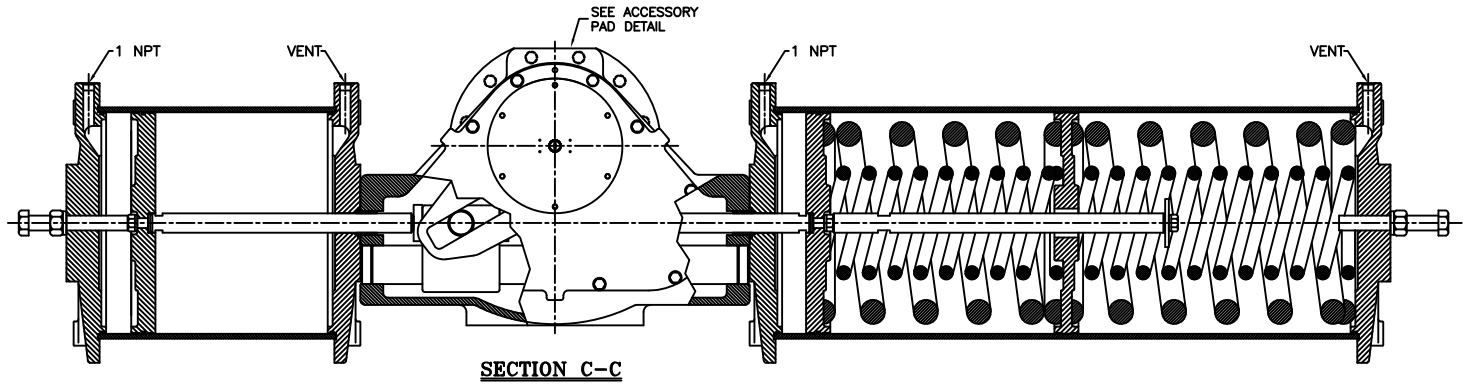


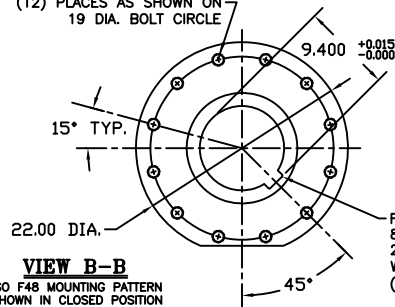
ACCESSORY PAD DETAIL
REAR VIEW



SECTION A-A
YOKE SHOWN AT MID-STROKE
ACCESSORIES OMITTED FOR CLARITY



1 1/4-7 UNC-2B TAP X 2 1/2 DEEP
(12) PLACES AS SHOWN ON
19 DIA. BOLT CIRCLE



FEMALE DRIVE
8.750 DIA. BORE X 17 DEEP
2.000 RECTANGULAR KEYWAY
W/ .012 RADIUS INSIDE KEYWAY CORNERS
(TO BE USED W/ 2" X 1 1/2" KEY)

REV	DESCRIPTION	BY	CHK	APR	DATE
E	CORRECTED HOUSING VIEW ON ENDCAP	CAW			09/10/10
D	CORRECTED ACCESS. PAD DETAIL: 1/4\" VENT HAS 3/4\" VENT	CAW			09/23/10
C	CORRECTED KEY SIZE IN VIEW B-B	CAW			07/22/09
B	UPDATED SPRING SIDE DESIGN / ADDED INTERNAL PARTS	CAW			04/16/08
	CHANGE	BY	CHK	APR	DATE

MORIN
MORIN ACTUATOR
110 Commerce Drive
Pelham, Alabama, U.S.A. 35124
www.morinact.com

MODEL C-7114UC-S000 ACTUATOR

DRAWN BY: CAW DATE: 11/04/08
CHECKED: DATE: APPROVED: DATE:

SCALE: 1:5 REVISION: E DRAWING NO.: S80B011E

SHEET 1 OF 1 DWG. SIZE: E