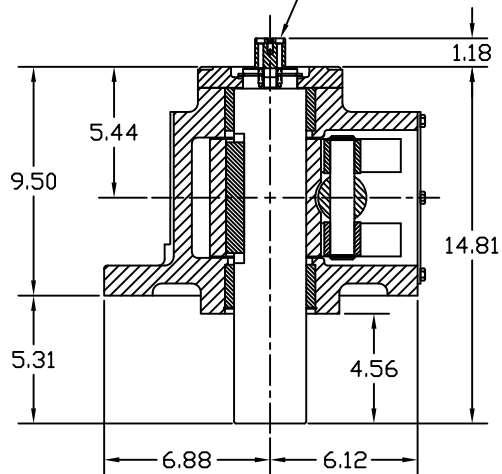
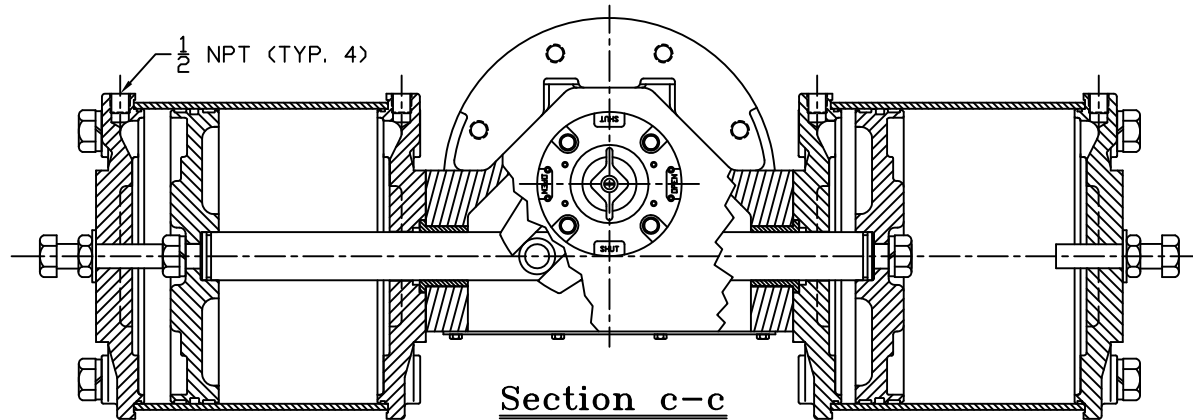


NAMUR POINTER ADAPTER
(SEE DWG. S01-02-01 FOR DETAILS)

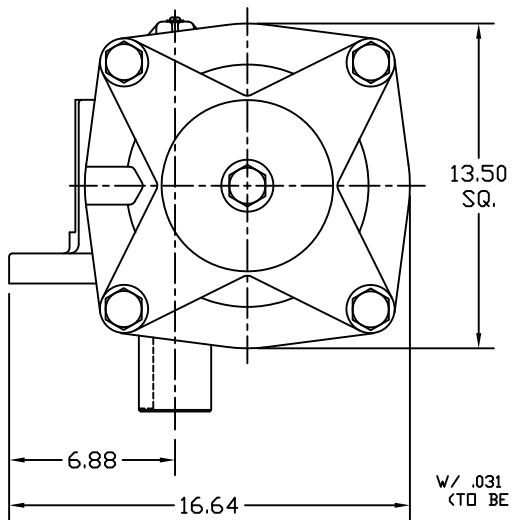


Section a-a

YOKE SHOWN AT MID-STROKE
POINTER OMITTED FOR CLARITY

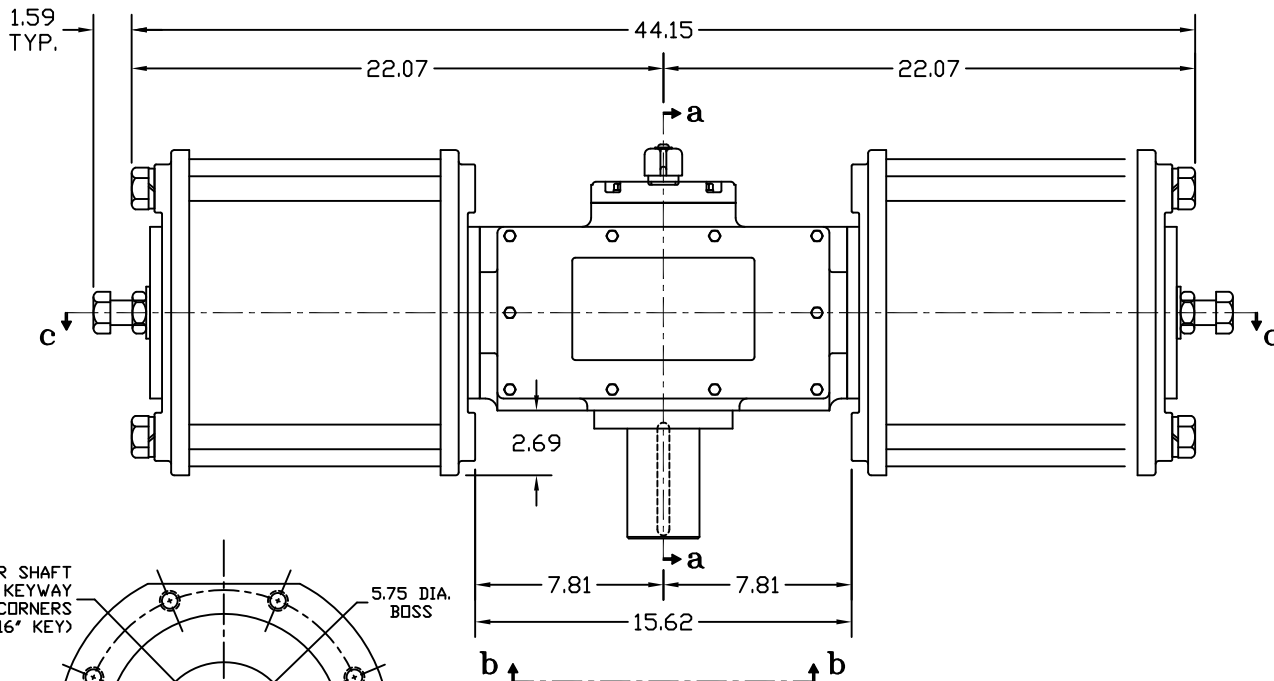


Section c-c



3.000/2.994 DIAMETER SHAFT
3/4 SQ. x 3.88 LONG KEYWAY
W/ .031 RADIUS INSIDE KEYWAY CORNERS
(TO BE USED W/ 3/4" X 3 13/16" KEY)

3/4-10 UNC TAP x 1.18 DEEP
(8) PLACES AS SHOWN ON
11.73 DIAMETER BOLT CIRCLE



View b-b

ISO F30 MOUNTING PATTERN

MORIN
MORIN Actuator
110 Commerce Drive
Pelham, Alabama, U.S.A. 35124
(205) 663-9533
www.morinact.com

MODEL C-740U-D000 ACTUATOR

DRAWN BY: CAW	DATE: 08/14/06	CHECKED:	DATE:	APPROVED:	DATE:
SCALE: HALF SHEET	REVISION: C	DWG. SIZE: E		DRAWING NO.: S30B552C	
1 of 1					

REV	CHANGE	BY	CHK	APR	DATE
C	UPDATED VIEW B-B	CAW			05/02/13
B	UPDATED SECTION A-A & VIEW B-B	CAW			02/07/06