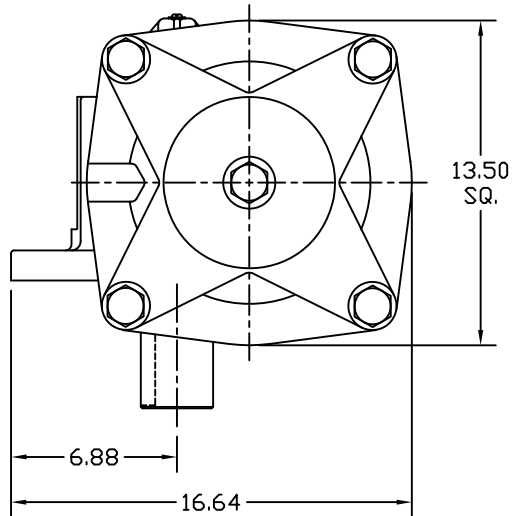


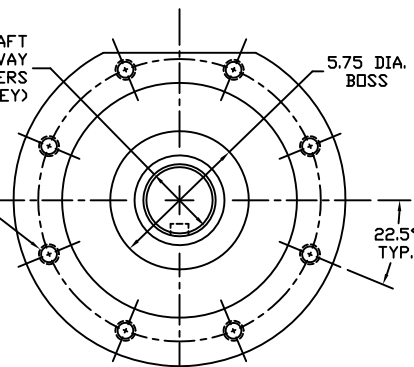
**Section a-a**

YOKE SHOWN AT MID-STROKE  
POINTER OMITTED FOR CLARITY



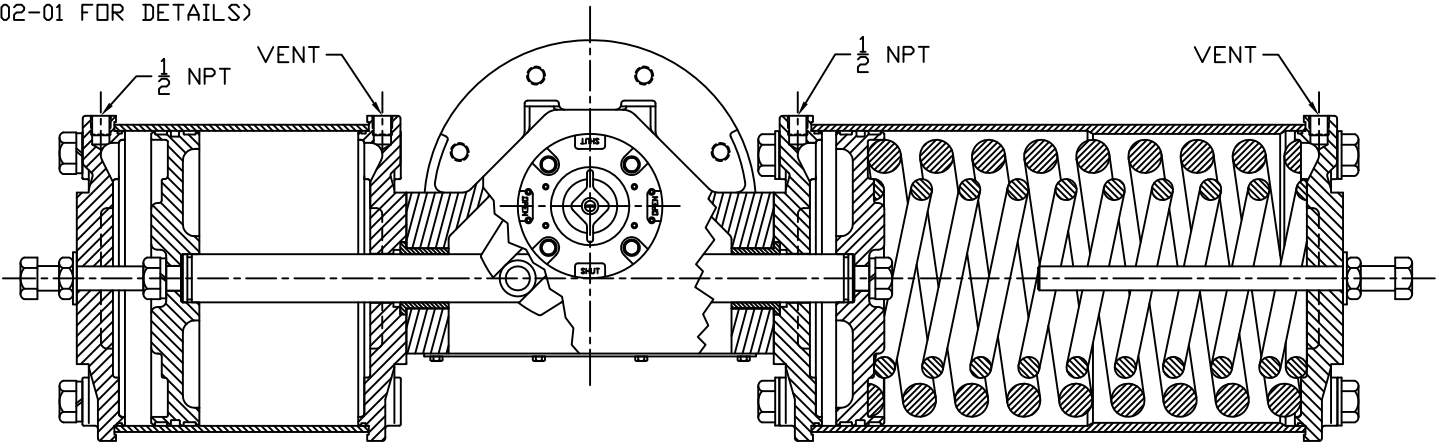
3.000/2.994 DIAMETER SHAFT  
3/4 SQ. x 3.88 LONG KEYWAY  
W/ .031 RADIUS INSIDE KEYWAY CORNERS  
(TO BE USED W/ 3/4" X 3 13/16" KEY)

3/4-10 UNC TAP x .118 DEEP  
(8) PLACES AS SHOWN ON  
11.73 DIAMETER BOLT CIRCLE

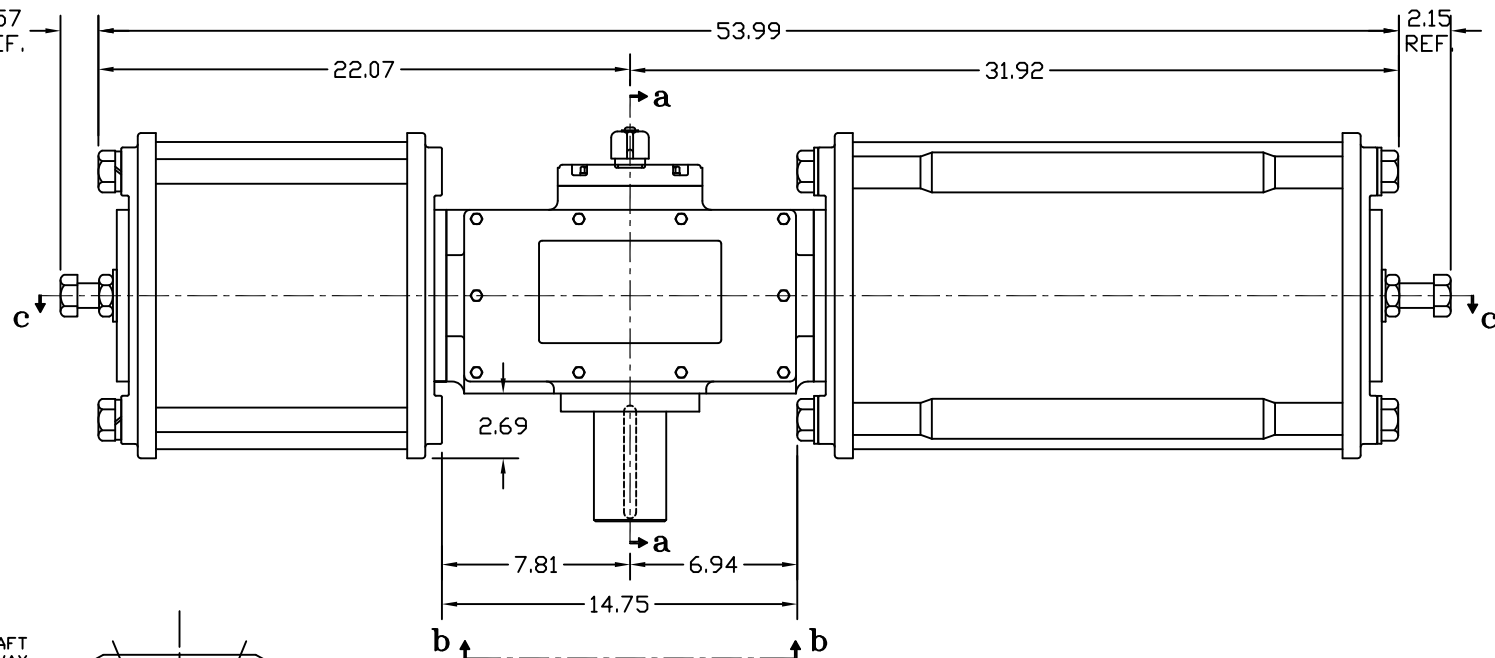


**View b-b**

ISO F30 MOUNTING PATTERN



**Section c-c**



| REV | DESCRIPTION                    | BY  | CHK | APR | DATE     |
|-----|--------------------------------|-----|-----|-----|----------|
| C   | UPDATED VIEW B-B               | CAW |     |     | 05/08/13 |
| B   | UPDATED SECTION A-A & VIEW B-B | CAW |     |     | 02/27/10 |
|     | CHANGE                         |     | CHK | APR |          |

|                                   |              |   |       |
|-----------------------------------|--------------|---|-------|
| <b>MORIN®</b>                     |              | Morin Actuator<br>110 Commerce Drive<br>Pelham, Alabama, U.S.A. 35124<br>(205) 663-9533 |       |
| <b>MODEL C-740U-S000 ACTUATOR</b> |              |   |       |
| DRAWN BY:                         | DATE:        | CHECKED:  | DATE: |
| CAW                               | 08/14/06     |   |       |
| SCALE:                            | REVISION:    | DRAWING NO.:  |       |
| HALF SHEET                        | C            | S30B097C  |       |
| 1 of 1                            | DWG. SIZE: E |   |       |