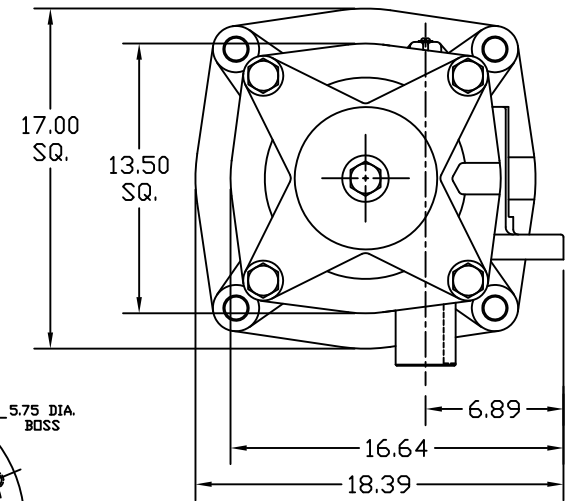
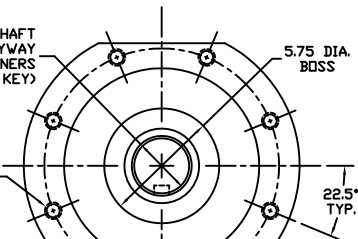


3.000/2.994 DIAMETER SHAFT  
3/4 SQ. x 3.888 LONG KEYWAY  
W/ .031 RADIUS INSIDE KEYWAY CORNERS  
(TO BE USED W/ 3/4" x 3 13/16" KEY)

3/4-10 UNC TAP x 1.18 DEEP  
(8) PLACES AS SHOWN ON  
11.73 DIAMETER BOLT CIRCLE



<b>MORIN</b> www.morinact.com		Morin Actuator 110 Commerce Drive Pittman, Alabama, U.S.A. 35124 (205) 663-0533	
<b>MODEL C-944U-S000 ACTUATOR</b>			
DRAWN BY:	DATE:	CHECKED:	DATE:
CAW	08/14/06		
SCALE:	REVISION:	DRAWING NO.:	
3X	C	S30B099C	
SHEET	DWG. SIZE:		
1 of 1	D		

REV	CHANGE	BY	CHK	APR	DATE
C	UPDATED VIEW B-B	CAW			05/06/13
B	UPDATED SECTION A-A & VIEW B-B	CAW			02/27/07