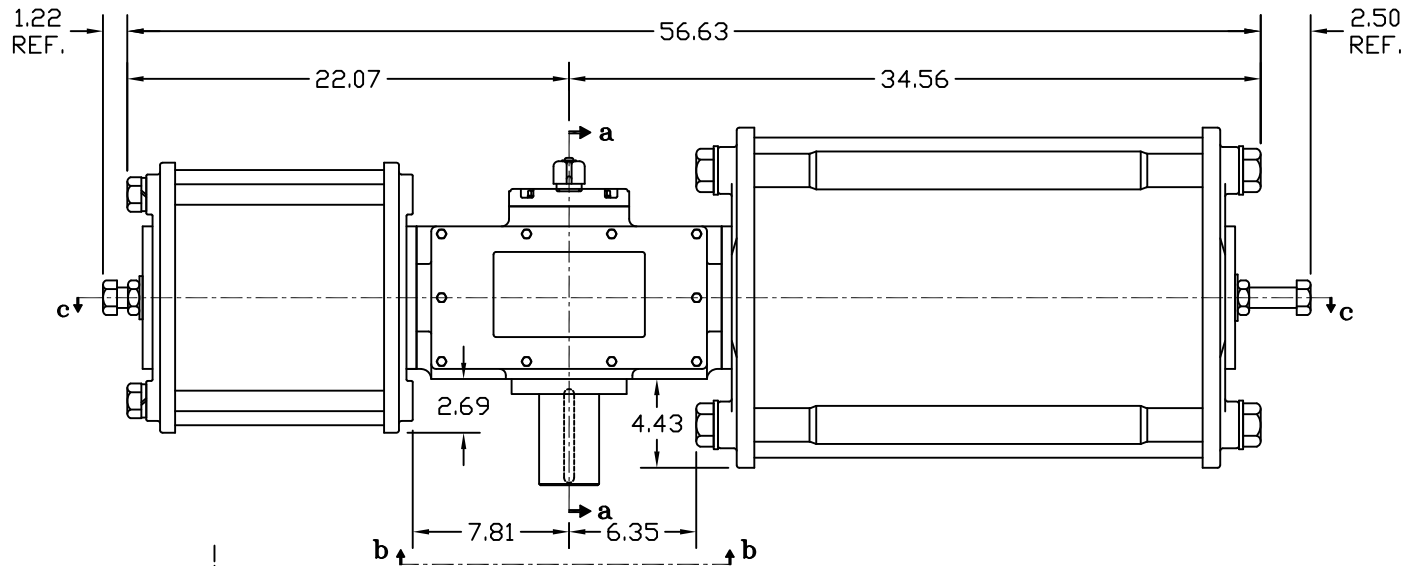
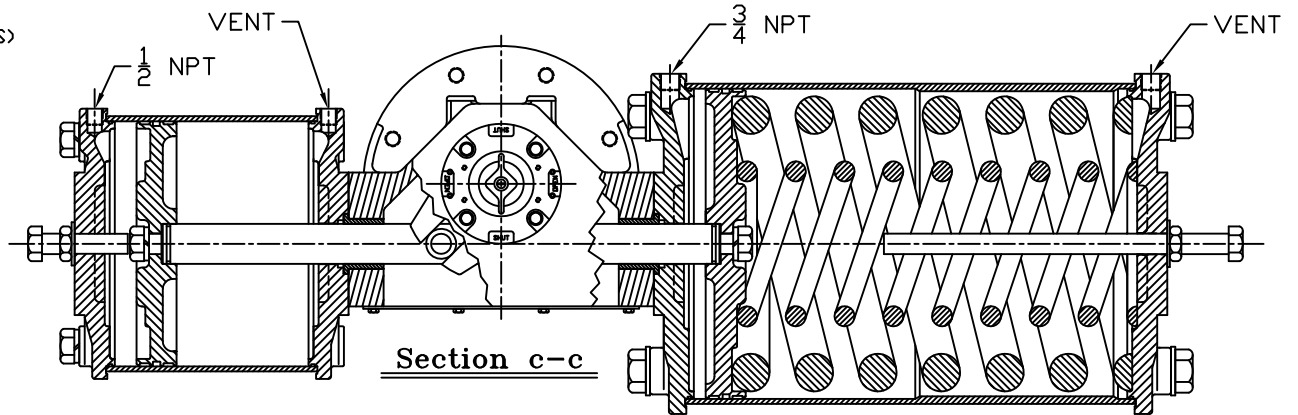
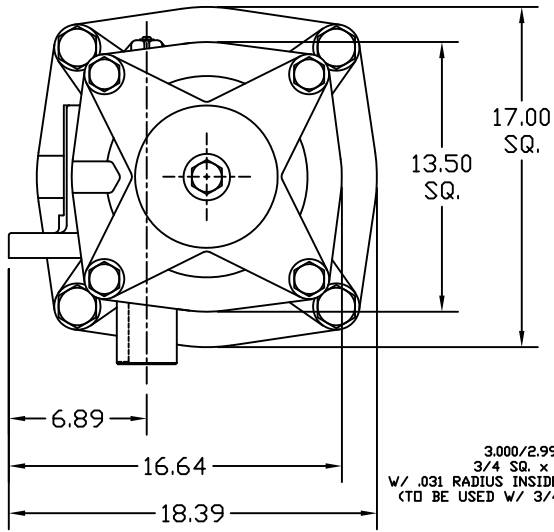
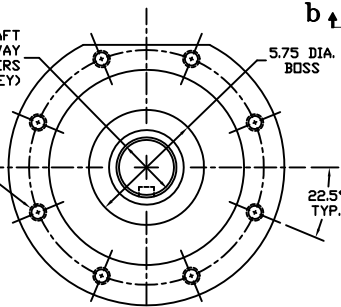


Section a-a
 YOKE SHOWN AT MID-STROKE
 POINTER OMITTED FOR CLARITY



3.000/2.994 DIAMETER SHAFT
 3/4 SQ. x 3.88 LONG KEYWAY
 W/ .031 RADIUS INSIDE KEYWAY CORNERS
 (TO BE USED W/ 3/4" X 3 13/16" KEY)

3/4-10 UNC TAP x 1.18 DEEP
 (8) PLACES AS SHOWN ON
 11.73 DIAMETER BOLT CIRCLE



View b-b

ISO F30 MOUNTING PATTERN

MORIN www.morinact.com		Morin Actuator 110 Commerce Drive Pellham, Alabama, U.S.A. 35124 (205) 663-0533	
MODEL C-945U-S000 ACTUATOR			
DRAWN BY:	DATE:	CHECKED:	DATE:
CAW	08/14/06		
SCALE:	REVISION:	DRAWING NO.:	
3X	C		
SHEET	DWG. SIZE:	S30B100C	
1 of 1	D		

REV	CHANGE	BY	CHK	APR	DATE
C	UPDATED VIEW B-B	CAW			05/06/13
B	UPDATED SECTION A-A & VIEW B-B	CAW			02/27/07